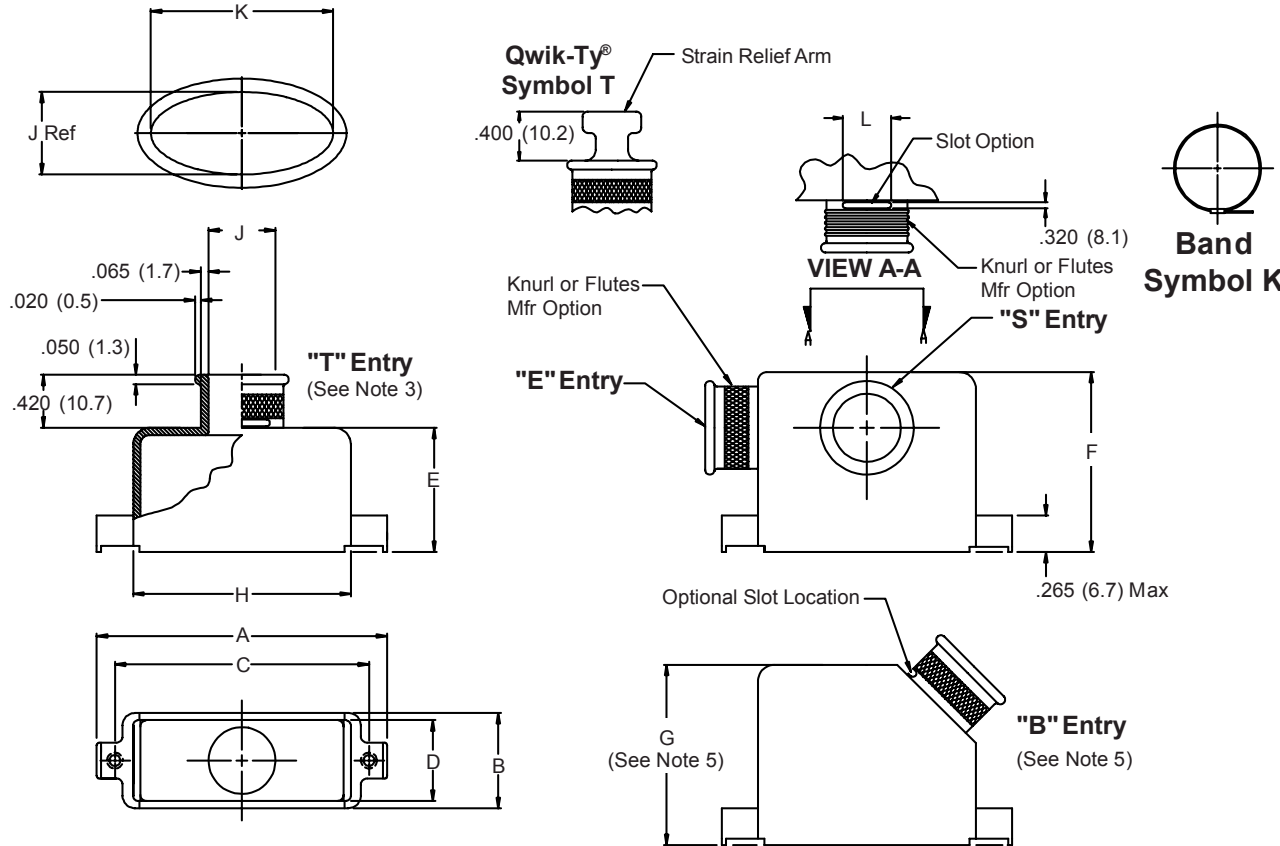
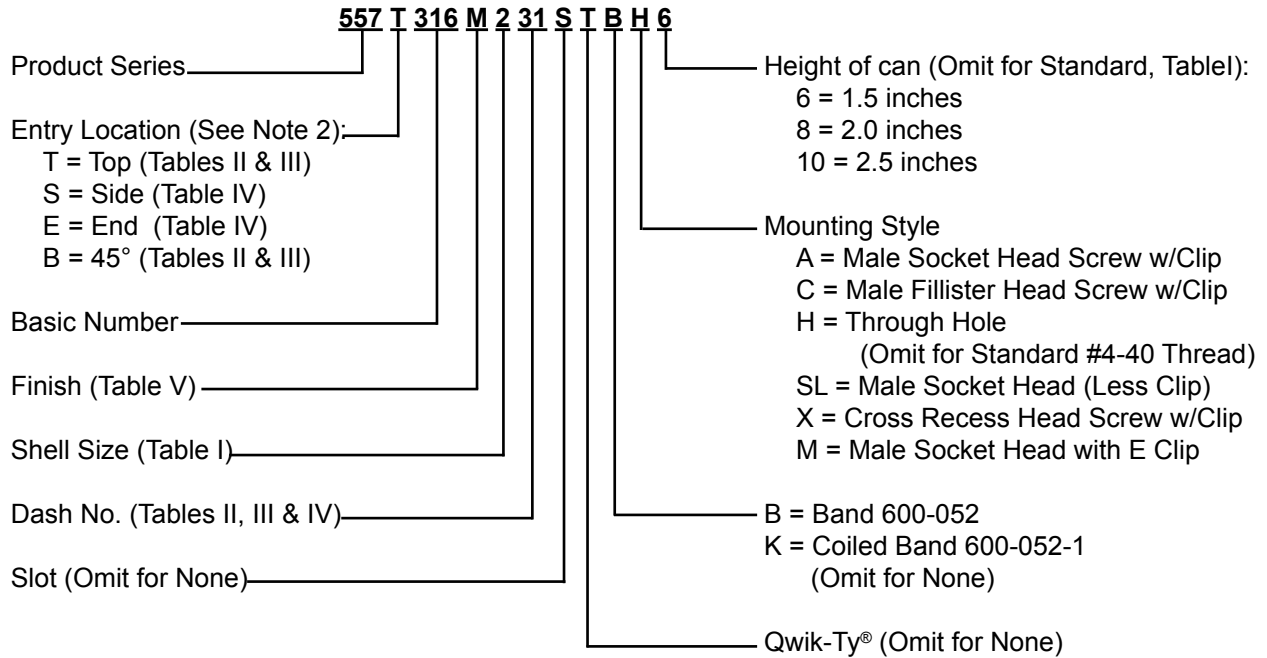


557-316 EMI/RFI Banding Backshell Assembly, RFI/EMI with Optional Qwik-Ty® for MIL-C-24308 Connectors



Metric dimensions (mm) are indicated in parentheses

TABLE I: CONNECTOR INTERFACE AND BACKSHELL DIMENSIONS

| Shell Size | A Max | B +.020 (0.5) | C ±.005 (0.1) | D Ref | E Max | F Max | G Max | H Ref |
|------------|--------------|------------------|------------------|-------------|--------------|--------------|--------------|--------------|
| 1 | 1.250 (31.8) | .520 (13.2) | .984 (25.0) | .440 (11.2) | .695 (17.7) | 1.413 (35.9) | 1.035 (26.3) | .856 (21.7) |
| 2 | 1.580 (40.1) | .520 (13.2) | 1.312 (33.3) | .440 (11.2) | .695 (17.7) | 1.413 (35.9) | 1.035 (26.3) | 1.186 (30.1) |
| 3 | 2.130 (54.1) | .520 (13.2) | 1.852 (47.0) | .440 (11.2) | .945 (24.0) | 1.413 (35.9) | 1.035 (26.3) | 1.727 (43.9) |
| 4 | 2.770 (70.4) | .520 (13.2) | 2.500 (63.5) | .440 (11.2) | .945 (24.0) | 1.595 (40.5) | 1.035 (26.3) | 2.383 (60.5) |
| 5 | 2.680 (68.1) | .629 (16.0) | 2.406 (61.1) | .549 (13.9) | 1.135 (28.8) | 1.595 (40.5) | 1.125 (28.6) | 2.287 (58.1) |
| 6 | 2.770 (70.4) | .690 (17.5) | 2.500 (63.5) | .610 (15.5) | 1.265 (32.1) | 1.595 (40.5) | 1.185 (30.1) | 2.405 (61.1) |

TABLE II: TOP/45° ENTRY LOCATION SHELL SIZES 1-4 ONLY

| Shell Size | J Dia | K Dim | L Dim | M Dim |
|------------|-------------|--------------|-------------|------------|
| 16 | .188 (4.8) | N/A | .190 (4.8) | .080 (2.0) |
| 18 | .205 (5.2) | N/A | .200 (5.1) | .080 (2.0) |
| 23 | .250 (6.4) | N/A | .220 (5.6) | .080 (2.0) |
| 30 | .312 (7.9) | N/A | .250 (6.4) | .080 (2.0) |
| 31 | .375 (9.5) | N/A | .280 (7.1) | .080 (2.0) |
| 32* | .438 (11.1) | N/A | .310 (7.9) | .080 (2.0) |
| 33* | .562 (14.3) | .723 (18.4) | .380 (9.7) | .080 (2.0) |
| 34* | .650 (16.5) | .967 (24.6) | .440 (11.2) | .080 (2.0) |
| 35* | .562 (14.3) | 1.250 (31.8) | .450 (11.4) | .080 (2.0) |
| 00* | N/A | N/A | N/A | N/A |

* See Note 3 for Dash Numbers 32 & 33. See Notes 3 and 4 for Dash No. 00. See Notes 3 and 5 for Dash Nos. 35 & 35.

TABLE III: TOP/45° ENTRY LOCATION SHELL SIZES 5 & 6 ONLY

| Shell Size | J Dia | K Dim | L Dim | M Dim |
|------------|-------------|--------------|-------------|------------|
| 16 | .188 (4.8) | N/A | .190 (4.8) | .080 (2.0) |
| 23 | .250 (6.4) | N/A | .220 (5.6) | .080 (2.0) |
| 30 | .312 (7.9) | N/A | .250 (6.4) | .080 (2.0) |
| 31 | .375 (9.5) | N/A | .280 (7.1) | .080 (2.0) |
| 32 | .438 (11.1) | N/A | .310 (7.9) | .080 (2.0) |
| 33* | .562 (14.3) | N/A | .380 (9.7) | .080 (2.0) |
| 34* | .460 (11.7) | 1.380 (35.1) | .440 (11.2) | .080 (2.0) |
| 35* | .460 (11.7) | 1.500 (38.1) | .450 (11.4) | .080 (2.0) |
| 00* | N/A | N/A | N/A | N/A |

* See Note 3 for Dash Numbers 32 & 33. See Notes 3 and 5 for Dash Nos. 43 & 35. See Notes 3 and 4 for Dash No. 00.

TABLE IV: SIDE/END ENTRY SHELL SIZES 5 & 6 ONLY

| Shell Size | J Dia | K Dim | L Dim | M Dim |
|------------|-------------|-------------|-------------|------------|
| 16 | .188 (4.8) | N/A | .190 (4.8) | .080 (2.0) |
| 23 | .250 (6.4) | N/A | .220 (5.6) | .080 (2.0) |
| 30 | .312 (7.9) | N/A | .250 (6.4) | .080 (2.0) |
| 31 | .375 (9.5) | N/A | .280 (7.1) | .080 (2.0) |
| 32 | .438 (11.1) | N/A | .310 (7.9) | .080 (2.0) |
| 33 | .562 (14.3) | N/A | .380 (9.7) | .080 (2.0) |
| 34 | .650 (16.5) | N/A | .440 (11.2) | .080 (2.0) |
| 36 | .650 (16.5) | .967 (24.6) | .450 (11.4) | .080 (2.0) |
| 00* | N/A | N/A | N/A | N/A |

* See Note 4 for Dash Number 00.

NOTES:

1. Metric dimensions (mm) are indicated in parentheses.
2. For Multiple Entries select two letters to indicate choice, i.e.:
SE = Side and End Entries.
3. For Die Cast Backshell, entry may be elliptical in shape.
Consult factory for Entry Dimensions.
4. "00" indicates Shorting can Option. Available on T and E Configurations only.
5. For "B" Configuration, Dash Nos. 34 & 35 can height to be 1.8000 (45.7)

TABLE III: FINISH OPTIONS

| Symbol | Finish |
|--------|---|
| B | Cadmium Plate/Olive Drab |
| C* | Black Anodize |
| G* | Anodic Hard Coat |
| J | Gold Iridite over Cadmium Plate over Electroless Nickel |
| LF | Cadmium Plate/Bright over Electroless Nickel |
| M | Electroless Nickel |
| N | Cadmium Plate/Olive Drab over Electroless Nickel |
| NC | Zinc Cobalt/Dark Olive Drab |
| NF | Cadmium Plate/Olive Drab over Electroless Nickel |
| T | Cadmium Plate/Bright over Electroless Nickel |
| U** | Cadmium Plate/Black |
| ZN | Zinc-Nickel Alloy/Olive Drab |

*Anodize finish is not suitable for EMI shielding or grounding applications.

**Applicable to corrosion resisting steel backshells and accessories. Consult factory for other available finishes.

X-ON Electronics

Largest Supplier of Electrical and Electronic Components

Click to view similar products for [D-Sub MIL Spec Connectors](#) category:

Click to view products by [Glenair](#) manufacturer:

Other Similar products are found below :

[M24308/4-13Z](#) [M8351307-B](#) [D38999/20FJ43HN](#) [D38999/24WG11PB-LC](#) [D38999/24WG41HN](#) [MDM-15PH041P](#) [MDM-21PH041P](#) [MDM-21SH003B-K139](#) [850-056-0812](#) [1218697-4](#) [DBMM25S](#) [MS27467T21F41S](#) [17D25HV](#) [1996840-1](#) [243082-15](#) [1663962-1](#) [1757682-1](#) [17D-E51218-1](#) [17SDA15S](#) [1883533-1](#) [1883886-1](#) [1883889-1](#) [192900-0377](#) [308-CP6P0441-024H](#) [M24308/2-3Z](#) [M24308/4-3Z](#) [M24308/4-4F](#) [M24308/4-4Z](#) [M24308/8-347](#) [M83513/03-E09C](#) [M83723/75W2212N L/C](#) [D38999/24FJ29PN-LC](#) [D38999/24WG11SB-LC](#) [MDM-21PH046P](#) [5-1218949-1](#) [550-031NF1R6K](#) [550E001NF1R3J0L](#) [550T001NF1R6K0L](#) [557T283NF5B08](#) [C115368-1612B](#) [C115370-1717B](#) [DC121073157](#) [443869-3](#) [443869-4](#) [443869-5](#) [550S004NF1R1B0F03](#) [550-031NF1R2E](#) [550E003M2R9J0F04](#) [550E003M3R9J0F05](#) [550E024M104R9J0](#)