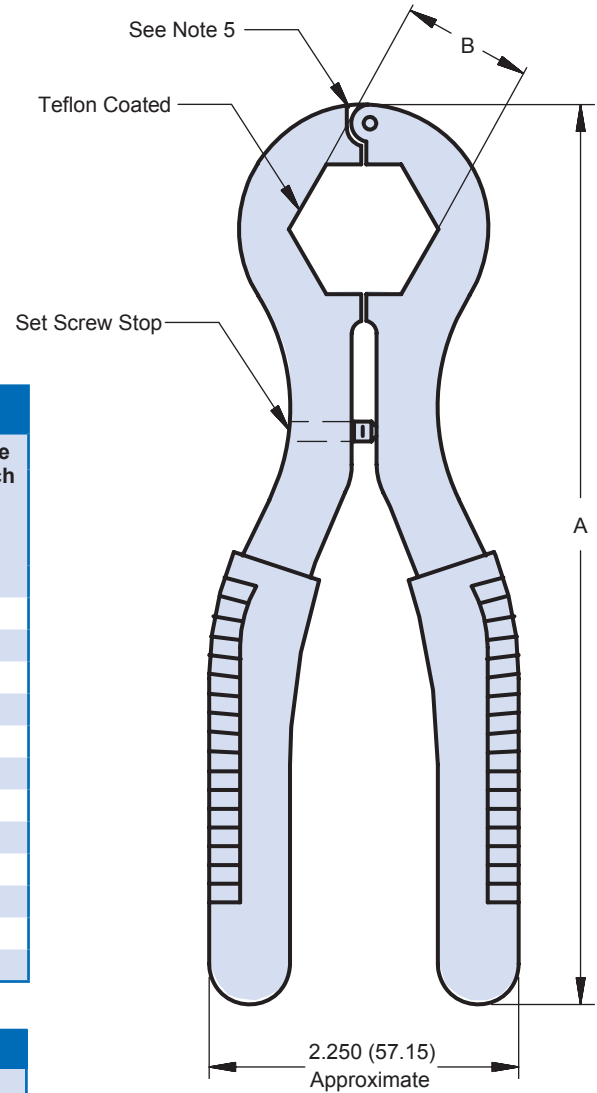


ALUMINUM TOOL FOR USE WITH GLENAIR COMPOSITE BACKSHELLS

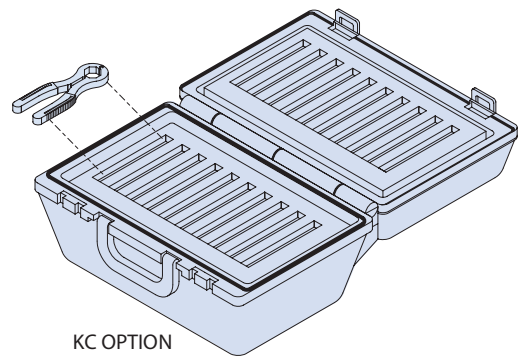
600 - 091 - 16

Product Series
Basic Number
Dash Number
for Individual Wrench or:
K - Kit of dash numbers 08 thru 28
KC - "K" kit with case
KL - Kit of dash number 32 thru 44
KLC - "KL" kit with case
KIT - Kit of dash numbers 08 thru 44 with case



| Dash Number | A Ref | B Hex ² Ref | Connector for Shell Size | | Composite Torque Inch Pounds In-Lbs Min/Max |
|-------------|---------------|------------------------|--------------------------|--------|---|
| | | | Codes A & F | Code H | |
| 08 | 7.56 (192.0) | .750 (19.1) | 08 | 09 | 20/25 |
| 10 | 7.56 (192.0) | .875 (22.2) | 10 | 11 | 20/30 |
| 12 | 7.56 (192.0) | 1.000 (25.4) | 12 | 13 | 25/35 |
| 14 | 7.56 (192.0) | 1.125 (28.6) | 14 | 15 | 25/35 |
| 16 | 7.56 (192.0) | 1.250 (31.8) | 16 | 17 | 30/40 |
| 18 | 7.56 (192.0) | 1.375 (34.9) | 18 | 19 | 30/40 |
| 20 | 8.50 (215.9) | 1.500 (38.1) | 20 | 21 | 35/45 |
| 22 | 8.50 (215.9) | 1.625 (41.3) | 22 | 23 | 35/45 |
| 24 | 8.50 (215.9) | 1.750 (44.5) | 24 | 25 | 35/45 |
| 28 | 9.50 (241.3) | 2.000 (50.8) | 28 | | 115/125 |
| 32 | 10.00 (254.0) | 2.250 (57.2) | 32 | | 115/125 |
| 36 | 10.00 (254.0) | 2.500 (63.5) | 36 | | 112/125 |
| 44 | 10.00 (254.0) | 3.000 (76.2) | 44 | | N/A |

- ### APPLICATION NOTES
- Use in conjunction with Glenair 600-161 torque wrench and 600-162B or 600-162BV bench mounts (see page 14).
 - Adjust set screw per tool setting procedure GAP134 (available on Glenair.com). Once adjusted must fit Glenair hex composite coupling nuts
 - Customer is responsible for maintaining adjustment to compensate for wear.
 - Replace tool if excessive wear is observed
 - Gap is permissible during tool use for coupling nut assembly
 - If set screw becomes loose causing loss of adjustment reapply suitable thread locking compound
 - Wrenches are made of aluminum alloy with vinyl grips.
 - Using other manufacturer's hex wrench pliers or soft jaw coated pliers will result in premature fracturing or damage to the composite product



KC OPTION
Approximate Case Dimensions: 13.5 x 15.5 x 3.875

X-ON Electronics

Largest Supplier of Electrical and Electronic Components

Click to view similar products for [Circular MIL Spec Tools, Hardware & Accessories](#) *category:*

Click to view products by [Glenair](#) *manufacturer:*

Other Similar products are found below :

[0113-201-2025](#) [600-079-06](#) [600-146-06](#) [M10-101982-143](#) [M10-101982-163](#) [M10-101983-183](#) [M10-150912-083](#) [M10-454396-008](#)
[602GB18808](#) [CS3102A-22-14PW](#) [M2887615-CD](#) [627-009](#) [M38999/9-19B](#) [630A007NF083A](#) [630B007M051A](#) [630BJ003NF032H](#) [637-](#)
[149NF04B](#) [M39029/29-215](#) [6408-203V-09273](#) [6426-201-11343](#) [650FS002NF16](#) [660-008NF14S7-01](#) [660-009M22H8-03](#) [660-013NF19U6-](#)
[210](#) [660-015M10S6-17](#) [660-015NF10S5-01](#) [660-015NF14R3.5-01](#) [660-023NF19H6-19](#) [660-024NF11S12-01](#) [660-024NF11S3-01](#) [660-](#)
[024NF17S4-109](#) [660-050XM17F4-01](#) [660-068NF25R6-30G](#) [660-070M23S8-04](#) [660-073MTCH9-20](#) [M83723/61-18W](#) [M83723/61-218R](#)
[M83723/61-224W](#) [667-084-23C](#) [667-084-35C](#) [667-224NF16](#) [687-697NF-1](#) [M85049/94-10-A](#) [M85049/96-7-A](#) [M855282-10A01A](#)
[M85528/2-10B](#) [M855282-18A01A](#) [M85528/2-22A01A](#) [M85528/2-22AA](#) [710HS460NF2508](#)