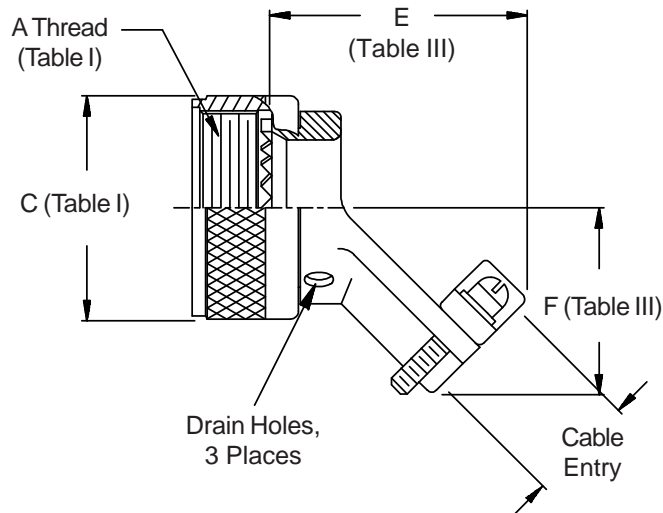
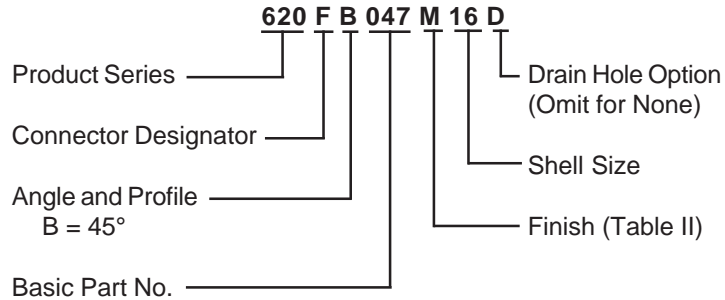


**CONNECTOR  
DESIGNATOR  
A-F-H-L-S  
ROTATABLE  
COUPLING**

**TABLE III: CABLE ENTRY**

Shell Size	E Max	F Max	Cable Entry	
			Closed	Open
08/09	1.450 (36.8)	.772 (19.6)	.125 (3.2)	.204 (5.2)
10/11	1.510 (38.4)	.810 (20.6)	.187 (4.7)	.286 (7.3)
12/13	1.610 (40.9)	.870 (22.1)	.291 (7.4)	.416 (10.6)
14/15	1.640 (41.7)	.930 (23.6)	.351 (8.9)	.476 (12.1)
16/17	1.760 (44.7)	.990 (25.1)	.501 (12.7)	.626 (15.9)
18/19	1.900 (48.3)	1.110 (28.2)	.518 (13.2)	.706 (17.9)
20/21	1.940 (49.3)	1.170 (29.7)	.581 (14.8)	.831 (21.1)
22/23	1.970 (50.0)	1.240 (31.5)	.644 (16.4)	.956 (24.3)
24/25	2.020 (51.3)	1.300 (33.0)	.706 (17.9)	1.081 (27.5)

See inside back cover  
fold-out or pages 13 and  
14 for Tables I and II.

1. Cable Entry is defined as the accommodation entry for the wire bundle or cable. Dimensions are not intended for inspection criteria.
2. Metric dimensions (mm) are indicated in parentheses.

## X-ON Electronics

Largest Supplier of Electrical and Electronic Components

*Click to view similar products for [Circular MIL Spec Strain Reliefs & Adapters](#) category:*

*Click to view products by [Glenair](#) manufacturer:*

Other Similar products are found below :

[896227-000](#) [899170S004](#) [0113-023-000](#) [6000-063-0022](#) [CS6624-000](#) [620AB038Z136](#) [620AS001Z108](#) [620AS038Z112](#) [620AS038Z120](#)  
[620AS038Z132](#) [620FB038NF08](#) [620HA038NF09](#) [620HA038NF11](#) [620HA038NF13](#) [620HA038NF25](#) [620HB049NF17](#) [620HS038NF11](#)  
[620HS038Z121](#) [620HS042XM19](#) [620HS042XM25](#) [620HS048B17](#) [620MS064NF12](#) [620MS065Z107](#) [620MS065ZNU06](#) [627-123NF21-11](#)  
[627-125NF23-6](#) [630J041M06H](#) [630J041M20H](#) [637S010NF0212H](#) [637S010NF0416A](#) [640830-000](#) [659943-000](#) [66241-10A](#) [CW0597-000](#)  
[CW0598-000](#) [CW0948-000](#) [CY0122-000](#) [M85049/41-6A W/B](#) [M85049/42-12DS](#) [M85049/47N8](#) [M85049/51-1-14S](#) [M85049/51S16S](#)  
[M85049/60-1N16](#) [M85049/60-2G12W](#) [M85049/69-11N](#) [CZ3661-000](#) [D02922-000](#) [70.360.1628.0](#) [703797-000](#) [705825-000](#)