



RJ45 ETHERNET AND USB 2.0

Tools and Accessories



620-004, -003 and -047 rotatable coupling backshell for 38999 type connectors

MIL-DTL-38999

STRAIGHT, 90° AND 45° STRAIN RELIEF BACKSHELL



Straight Strain Relief Backshell

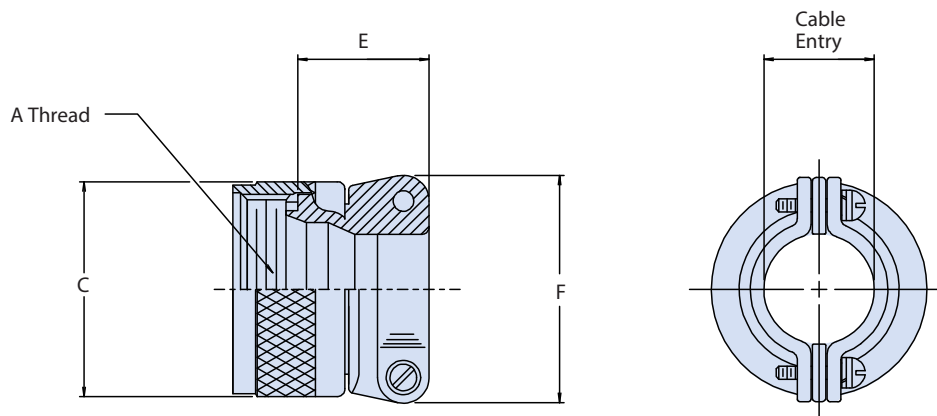
How To Order							
Sample Part Number	620	H	A	004	M	17	D
Series	620						
Connector Designator	H = IAW MIL-DTL-38999 Series III						
Angle and Profile	A = 90° S = Straight B = 45°						
Basic Part No.	004 = 90° 003 = Straight 047 = 45°						
Material and Finish¹	See Material and Finish Table						
Shell Size	15, 17, 19						
Drain Hole Option	D = Drain Hole Omit for none; Option only available for 45° connector						

Materials and Finishes ¹	
NF	Cadmium olive drab
M	Electroless nickel
MT	Nickel PTFE

NOTES

1. Consult factory for additional finish options

620HA-004



Dimensions											
Shell Size	A Thread	C Dia Max		E Max		F Nom		H Cable Entry			
		In	mm	In	mm	In	mm	Open		Closed	
Desig. H	In	In	mm	In	mm	In	mm	In	mm	In	mm
15	M22 x 1 - 6H	1.070	26.2	0.968	24.59	1.015	25.78	0.250	6.35	0.375	9.53
17	M25 x 1 - 6H	1.210	30.7	1.105	28.07	1.125	28.58	0.250	6.35	0.500	12.70
19	M28 x 1 - 6H	1.360	34.5	1.105	28.07	1.188	30.18	0.375	9.53	0.625	15.88



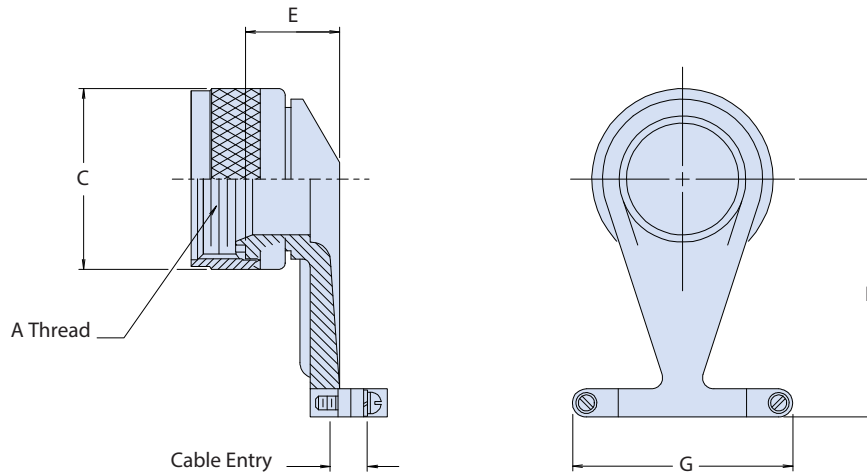
RJ45 ETHERNET AND USB 2.0

Tools and Accessories



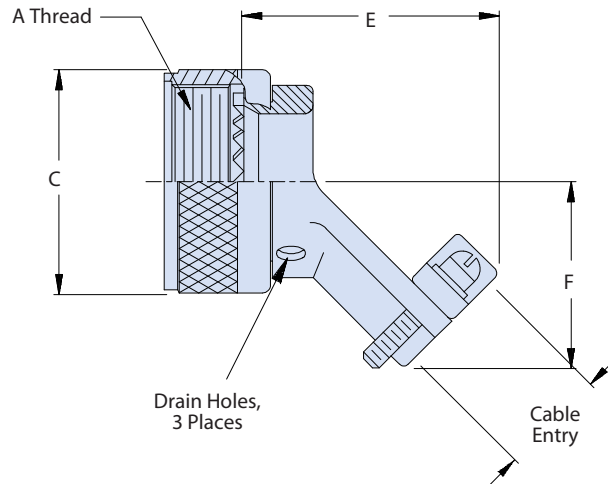
620-004, -003 and -047 rotatable coupling backshell for 38999 type connectors

620HA-003



Dimensions													
Shell Size	A Thread	C Dia Max		E Max		F Nom		G Nom		H Cable Entry			
Desig. H	In	In	mm	In	mm	In	mm	mm	In	Open		Closed	
										In	mm	In	mm
15	M22 x 1 - 6H	1.070	26.2	0.450	11.43	1.220	30.99	1.015	25.78	0.218	5.54	0.562	14.27
17	M25 x 1 - 6H	1.210	30.7	0.450	11.43	1.280	32.51	1.125	28.58	0.250	6.35	0.625	15.88
19	M28 x 1 - 6H	1.360	34.5	0.480	12.19	1.370	34.80	1.188	30.18	0.344	8.74	0.750	19.05

620HA-047



Dimensions												
Shell Size	A Thread	C Dia Max		E Max		F Nom		H Cable Entry				
Desig. H	In	In	mm	In	mm	In	mm	Open		Closed		
								In	mm	In	mm	mm
15	M22 x 1 - 6H	1.070	26.2	0.968	24.59	1.015	25.78	0.250	6.35	0.375	9.53	
17	M25 x 1 - 6H	1.210	30.7	1.105	28.07	1.125	28.58	0.250	6.35	0.500	12.70	
19	M28 x 1 - 6H	1.360	34.5	1.105	28.07	1.188	30.18	0.375	9.53	0.625	15.88	

MIL-DTL-38999



X-ON Electronics

Largest Supplier of Electrical and Electronic Components

Click to view similar products for [Circular MIL Spec Strain Reliefs & Adapters](#) category:

Click to view products by [Glenair](#) manufacturer:

Other Similar products are found below :

[896227-000](#) [899170S004](#) [0113-023-000](#) [6000-063-0022](#) [CS6624-000](#) [620AB038Z136](#) [620AS001Z108](#) [620AS038Z112](#) [620AS038Z120](#)
[620AS038Z132](#) [620FB038NF08](#) [620HA038NF09](#) [620HA038NF11](#) [620HA038NF13](#) [620HA038NF25](#) [620HB049NF17](#) [620HS038NF11](#)
[620HS038Z121](#) [620HS042XM19](#) [620HS042XM25](#) [620HS048B17](#) [620MS064NF12](#) [620MS065Z107](#) [620MS065ZNU06](#) [627-123NF21-11](#)
[627-125NF23-6](#) [630J041M06H](#) [630J041M20H](#) [637S010NF0212H](#) [637S010NF0416A](#) [640830-000](#) [659943-000](#) [66241-10A](#) [CW0597-000](#)
[CW0598-000](#) [CW0948-000](#) [CY0122-000](#) [M85049/41-6A W/B](#) [M85049/42-12DS](#) [M85049/47N8](#) [M85049/51-1-14S](#) [M85049/51S16S](#)
[M85049/60-1N16](#) [M85049/60-2G12W](#) [M85049/69-11N](#) [CZ3661-000](#) [D02922-000](#) [70.360.1628.0](#) [703797-000](#) [705825-000](#)