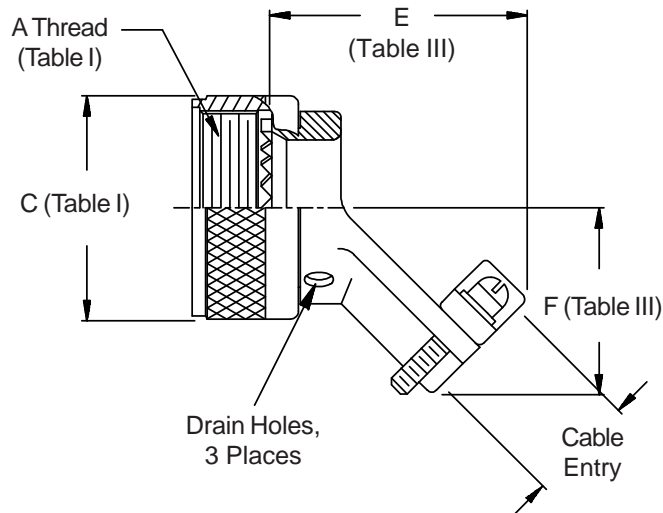
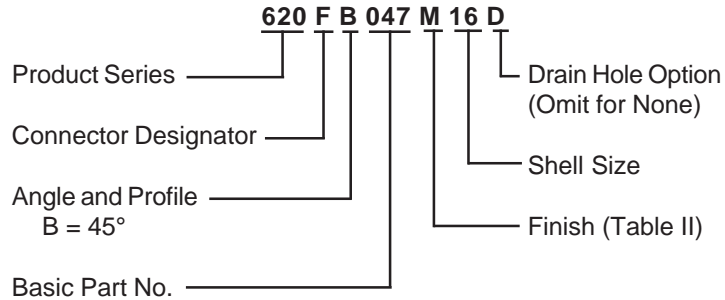


**CONNECTOR
DESIGNATOR
A-F-H-L-S
ROTATABLE
COUPLING**

TABLE III: CABLE ENTRY

Shell Size	E Max	F Max	Cable Entry	
			Closed	Open
08/09	1.450 (36.8)	.772 (19.6)	.125 (3.2)	.204 (5.2)
10/11	1.510 (38.4)	.810 (20.6)	.187 (4.7)	.286 (7.3)
12/13	1.610 (40.9)	.870 (22.1)	.291 (7.4)	.416 (10.6)
14/15	1.640 (41.7)	.930 (23.6)	.351 (8.9)	.476 (12.1)
16/17	1.760 (44.7)	.990 (25.1)	.501 (12.7)	.626 (15.9)
18/19	1.900 (48.3)	1.110 (28.2)	.518 (13.2)	.706 (17.9)
20/21	1.940 (49.3)	1.170 (29.7)	.581 (14.8)	.831 (21.1)
22/23	1.970 (50.0)	1.240 (31.5)	.644 (16.4)	.956 (24.3)
24/25	2.020 (51.3)	1.300 (33.0)	.706 (17.9)	1.081 (27.5)

See inside back cover
fold-out or pages 13 and
14 for Tables I and II.

1. Cable Entry is defined as the accommodation entry for the wire bundle or cable. Dimensions are not intended for inspection criteria.
2. Metric dimensions (mm) are indicated in parentheses.

X-ON Electronics

Largest Supplier of Electrical and Electronic Components

Click to view similar products for [Circular MIL Spec Strain Reliefs & Adapters](#) category:

Click to view products by [Glenair](#) manufacturer:

Other Similar products are found below :

[896227-000](#) [899170S004](#) [6000-063-0022](#) [613751-000](#) [CS6624-000](#) [620AB038Z136](#) [620AS001Z108](#) [620AS038Z112](#) [620AS038Z120](#)
[620AS038Z132](#) [620FB038NF08](#) [620HA038NF13](#) [620HA038NF25](#) [620HA042XM13](#) [620HB049NF17](#) [620HS011NF21](#) [620HS038NF11](#)
[620HS038Z121](#) [620HS042XM19](#) [620HS042XM25](#) [620HS042XW13](#) [620HS048B17](#) [620MS064NF09](#) [620MS064NF12](#) [620MS065M12](#)
[620MS065Z107](#) [620MS065ZNU06](#) [630J041M06H](#) [630J041M20H](#) [637S010NF0212H](#) [640830-000](#) [659943-000](#) [66241-10A](#) [CW0597-000](#)
[CW0598-000](#) [CW0948-000](#) [CY0122-000](#) [M85049/41-6A W/B](#) [M85049/42-12DS](#) [M85049/47N8](#) [M85049/47W18](#) [M85049/51-1-14S](#)
[M85049/51-1-8W](#) [M85049/51S16S](#) [M85049/60-1N16](#) [M85049/60-2G12W](#) [M85049/69-11N](#) [CZ3661-000](#) [D02922-000](#) [70.360.1628.0](#)