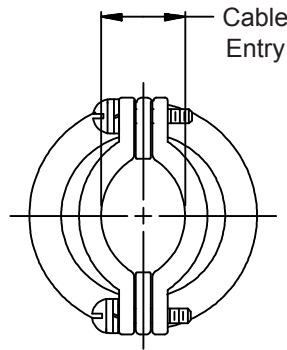
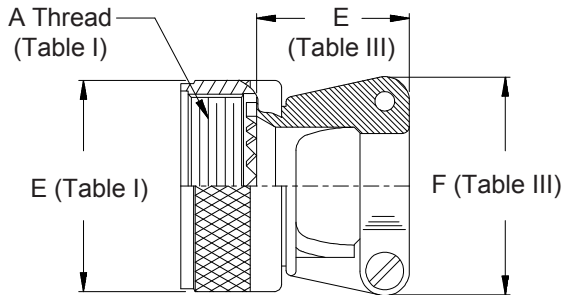
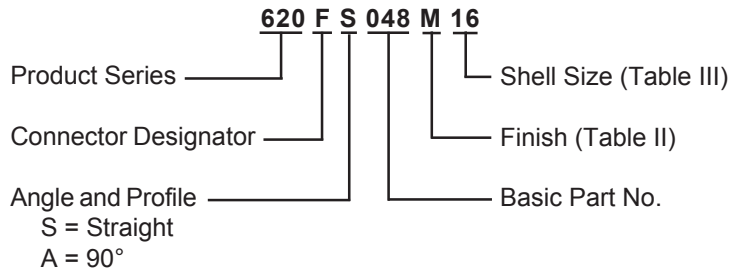


620-048
Strain Relief
Self-Locking Rotatable Coupling - Straight and 90°

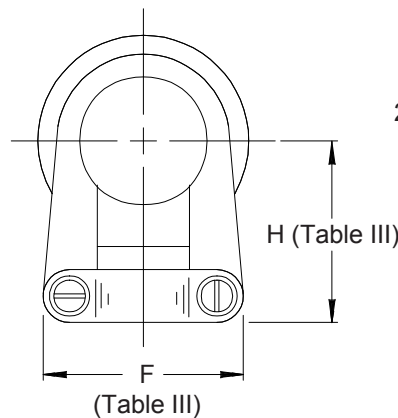
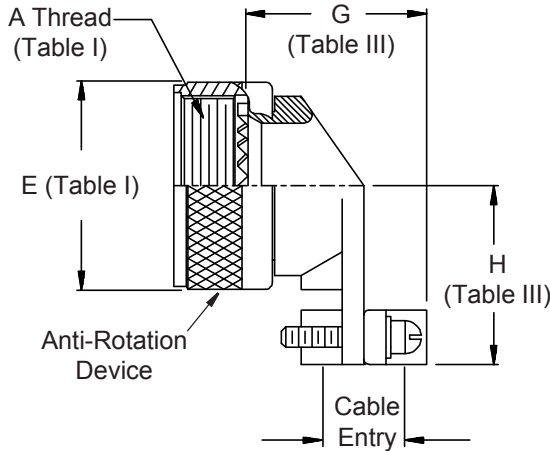


**CONNECTOR
 DESIGNATOR**
F-H-L-S

**SELF-LOCKING
 ROTATABLE
 COUPLING**



See inside back cover fold-out or pages 13 and 14 for Tables I and II.



1. Cable Entry is defined as the accommodation entry for the wire bundle or cable. Dimensions are not intended for inspection criteria.
2. Metric dimensions (mm) are indicated in parentheses.

TABLE III: CABLE ENTRY

| Shell Size | E Max | F Max | G Max | H Max | Cable Entry | |
|------------|--------------|--------------|--------------|--------------|-------------|-------------|
| | | | | | Closed | Open |
| 08/09 | .830 (21.1) | .850 (21.6) | .704 (17.9) | .808 (20.5) | .098 (2.5) | .234 (5.9) |
| 10/11 | .900 (22.9) | .900 (22.9) | .786 (20.0) | .867 (22.0) | .153 (3.9) | .234 (5.9) |
| 12/13 | .950 (24.1) | 1.100 (27.9) | .979 (24.9) | .929 (23.6) | .190 (4.8) | .328 (8.3) |
| 14/15 | .950 (24.1) | 1.150 (29.2) | 1.039 (26.4) | .992 (25.2) | .260 (6.6) | .457 (11.6) |
| 16/17 | .990 (25.2) | 1.300 (33.0) | 1.188 (30.2) | 1.056 (26.8) | .283 (7.2) | .614 (15.6) |
| 18/19 | 1.070 (27.2) | 1.500 (38.1) | 1.300 (33.0) | 1.233 (31.3) | .325 (8.3) | .634 (16.1) |
| 20/21 | 1.120 (28.5) | 1.600 (40.6) | 1.425 (36.2) | 1.296 (32.9) | .343 (8.7) | .698 (17.7) |
| 22/23 | 1.240 (31.5) | 1.700 (43.2) | 1.550 (39.4) | 1.358 (34.5) | .381 (9.7) | .823 (20.9) |
| 24/25 | 1.270 (32.3) | 1.800 (45.7) | 1.675 (42.5) | 1.420 (36.1) | .418 (10.6) | .853 (21.7) |

X-ON Electronics

Largest Supplier of Electrical and Electronic Components

Click to view similar products for [Circular MIL Spec Strain Reliefs & Adapters](#) category:

Click to view products by [Glenair](#) manufacturer:

Other Similar products are found below :

[896227-000](#) [899170S004](#) [0113-023-000](#) [6000-063-0022](#) [CS6624-000](#) [620AB038Z136](#) [620AS001Z108](#) [620AS038Z112](#) [620AS038Z120](#)
[620AS038Z132](#) [620FB038NF08](#) [620HA038NF09](#) [620HA038NF11](#) [620HA038NF13](#) [620HA038NF25](#) [620HB049NF17](#) [620HS038NF11](#)
[620HS038Z121](#) [620HS042XM19](#) [620HS042XM25](#) [620HS048B17](#) [620MS064NF12](#) [620MS065Z107](#) [620MS065ZNU06](#) [627-123NF21-11](#)
[627-125NF23-6](#) [630J041M06H](#) [630J041M20H](#) [637S010NF0212H](#) [637S010NF0416A](#) [640830-000](#) [659943-000](#) [66241-10A](#) [CW0597-000](#)
[CW0598-000](#) [CW0948-000](#) [CY0122-000](#) [M85049/41-6A W/B](#) [M85049/42-12DS](#) [M85049/47N8](#) [M85049/51-1-14S](#) [M85049/51S16S](#)
[M85049/60-1N16](#) [M85049/60-2G12W](#) [M85049/69-11N](#) [CZ3661-000](#) [D02922-000](#) [70.360.1628.0](#) [703797-000](#) [705825-000](#)