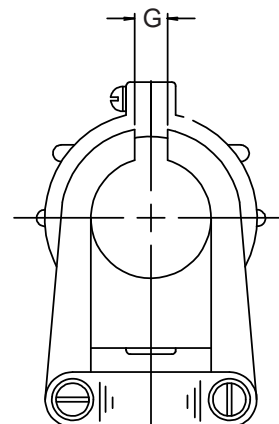
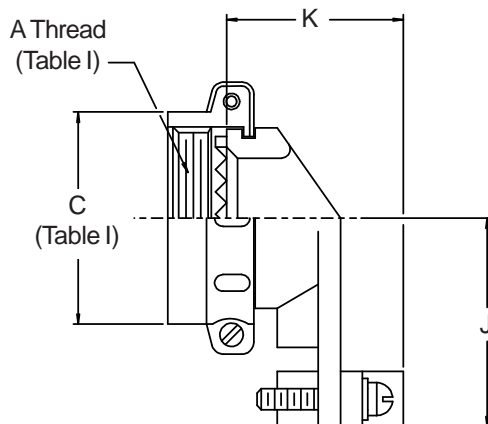
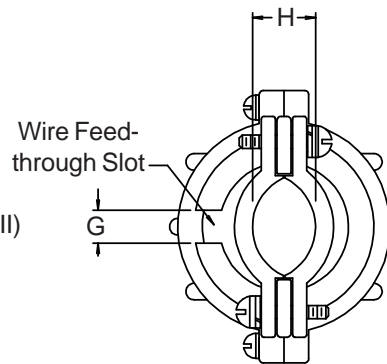
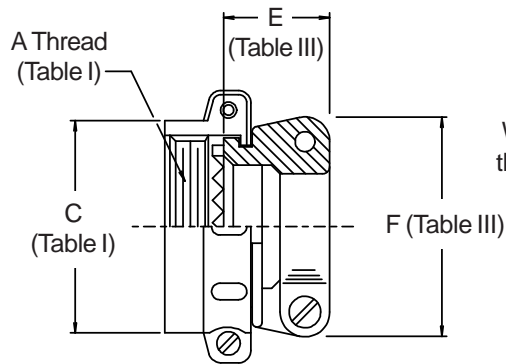
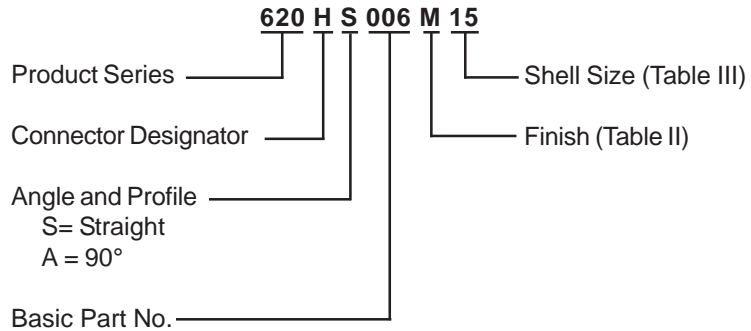


**CONNECTOR
 DESIGNATOR
 A-F-H-L
 ROTATABLE
 COUPLING**



620-006
Split Strain Reliefs
 Rotatable Coupling - Straight and 90°



TABLE III: CABLE ENTRY

Shell Size		H Cable Entry												
Conn. Desig.	E	F	G	H Cable Entry								J	K	
A,F,L	Max	Nom	Min	Closed		Open		Max		Max				
H														
08	09	.602 (15.3)	.752 (19.1)	.125 (3.2)	.125 (3.2)	.204 (5.2)	.808 (20.3)	.704 (17.9)						
10	11	.712 (18.1)	.832 (21.1)	.125 (3.2)	.187 (4.7)	.286 (7.3)	.867 (22.0)	.786 (20.0)						
12	13	.837 (21.3)	.988 (25.1)	.188 (4.8)	.291 (7.4)	.416 (10.6)	.929 (23.6)	.979 (24.9)						
14	15	.837 (21.3)	1.046 (26.6)	.188 (4.8)	.351 (8.9)	.476 (12.1)	.992 (25.2)	1.039 (26.4)						
16	17	.962 (24.4)	1.319 (33.5)	.188 (4.8)	.501 (12.7)	.625 (15.9)	1.056 (26.8)	1.188 (30.2)						
18	19	1.212 (30.8)	1.451 (36.9)	.250 (6.4)	.578 (14.7)	.706 (17.9)	1.233 (31.3)	1.300 (33.0)						
20	21	1.337 (34.0)	1.557 (39.5)	.250 (6.4)	.581 (14.8)	.831 (21.1)	1.296 (32.9)	1.425 (36.2)						
22	23	1.462 (37.1)	1.653 (42.0)	.312 (7.9)	.644 (16.4)	.956 (24.3)	1.358 (34.5)	1.550 (39.4)						
24	25	1.587 (40.3)	1.775 (45.1)	.312 (7.9)	.706 (17.9)	1.081 (27.5)	1.420 (36.1)	1.675 (42.5)						
28		1.731 (44.0)	2.020 (51.3)	.312 (7.9)	.750 (19.1)	1.187 (30.1)	1.634 (41.5)	1.813 (46.1)						

1. Cable Entry is defined as the accommodation entry for the wire bundle or cable. Dimensions are not intended for inspection criteria.
2. Metric dimensions (mm) are indicated in parentheses.

X-ON Electronics

Largest Supplier of Electrical and Electronic Components

Click to view similar products for [Circular MIL Spec Strain Reliefs & Adapters](#) category:

Click to view products by [Glenair](#) manufacturer:

Other Similar products are found below :

[896227-000](#) [899170S004](#) [0113-023-000](#) [6000-063-0022](#) [CS6624-000](#) [620AB038Z136](#) [620AS001Z108](#) [620AS038Z112](#) [620AS038Z120](#)
[620AS038Z132](#) [620FB038NF08](#) [620HA038NF09](#) [620HA038NF11](#) [620HA038NF13](#) [620HA038NF25](#) [620HB049NF17](#) [620HS038NF11](#)
[620HS038Z121](#) [620HS042XM19](#) [620HS042XM25](#) [620HS048B17](#) [620MS064NF12](#) [620MS065Z107](#) [620MS065ZNU06](#) [627-123NF21-11](#)
[627-125NF23-6](#) [630J041M06H](#) [630J041M20H](#) [637S010NF0212H](#) [637S010NF0416A](#) [640830-000](#) [659943-000](#) [66241-10A](#) [CW0597-000](#)
[CW0598-000](#) [CW0948-000](#) [CY0122-000](#) [M85049/41-6A W/B](#) [M85049/42-12DS](#) [M85049/47N8](#) [M85049/51-1-14S](#) [M85049/51S16S](#)
[M85049/60-1N16](#) [M85049/60-2G12W](#) [M85049/69-11N](#) [CZ3661-000](#) [D02922-000](#) [70.360.1628.0](#) [703797-000](#) [705825-000](#)