

Series 970 PowerTrip™ Connectors and Accessories
Accessories
620PS076 Strain Relief Clamp



620PS076 STRAIN RELIEF CLAMP



Spin coupling strain relief clamp with anti-decoupling ratchet prevents loosening under vibration. Fits standard Series 970 connectors. Heavy duty saddle clamp with telescoping screws. Available rigid dielectric bushing provides additional wire support. Aluminum alloy or stainless steel coupling nut, cable clamp and saddle bars. Stainless steel screws, high temperature thermoplastic anti-decoupling device and wire support bushing.

Optional **Wire Support Bushing** holds wires in place to prevent contact splay or grommet distortion. **Not available for layouts with size #12 or #16 contacts.**



HOW TO ORDER

SHELL SIZE	WIRE SUPPORT BUSHING	LAYOUT	MATERIAL/FINISH OPTION				
			ALUM/ NICKEL (ME)	ALUM/ NICKEL-PTFE (MT)	ALUM/ OD CADMIUM (NF)	ALUM/ BLACK ZINC-NICKEL (ZR)	SST/ PASSIVATE (Z1)
18	No Bushing	All	620PS076ME18	620PS076MT18	620PS076NF18	620PS076ZR18	620PS076Z118
	Bushing Included	18-2	620PS076ME18B2	620PS076MT18B2	620PS076NF18B2	620PS076ZR18B2	620PS076Z118B2
20	No Bushing	All	620PS076ME20	620PS076MT20	620PS076NF20	620PS076ZR20	620PS076Z120
	Bushing Included	20-3	620PS076ME20B3	620PS076MT20B3	620PS076NF20B3	620PS076ZR20B3	620PS076Z120B3
		20-4	620PS076ME20B4	620PS076MT20B4	620PS076NF20B4	620PS076ZR20B4	620PS076Z120B4
24	No Bushing	All	620PS076ME24	620PS076MT24	620PS076NF24	620PS076ZR24	620PS076Z124
	Bushing Included	24-2	620PS076ME24B2	620PS076MT24B2	620PS076NF24B2	620PS076ZR24B2	620PS076Z124B2
		24-3	620PS076ME24B3	620PS076MT24B3	620PS076NF24B3	620PS076ZR24B3	620PS076Z124B3
		24-5	620PS076ME24B5	620PS076MT24B5	620PS076NF24B5	620PS076ZR24B5	620PS076Z124B5
28	No Bushing	All	620PS076ME28	620PS076MT28	620PS076NF28	620PS076ZR28	620PS076Z128
	Bushing Included	28-4	620PS076ME28B4	620PS076MT28B4	620PS076NF28B4	620PS076ZR28B4	620PS076Z128B4
32	No Bushing	All	620PS076ME32	620PS076MT32	620PS076NF32	620PS076ZR32	620PS076Z132
	Bushing Included	32-2	620PS076ME32B2	620PS076MT32B2	620PS076NF32B2	620PS076ZR32B2	620PS076Z132B2
		32-3	620PS076ME32B3	620PS076MT32B3	620PS076NF32B3	620PS076ZR32B3	620PS076Z132B3
		32-5	620PS076ME32B5	620PS076MT32B5	620PS076NF32B5	620PS076ZR32B5	620PS076Z132B5
36	No Bushing	All	620PS076ME36	620PS076MT36	620PS076NF36	620PS076ZR36	620PS076Z136
	Bushing Included	36-4	620PS076ME36B4	620PS076MT36B4	620PS076NF36B4	620PS076ZR36B4	620PS076Z136B4
40	No Bushing	All	620PS076ME40	620PS076MT40	620PS076NF40	620PS076ZR40	620PS076Z140
	Bushing Included	40-5	620PS076ME40B5	620PS076MT40B5	620PS076NF40B5	620PS076ZR40B5	620PS076Z140B5

MATERIAL & FINISH SELECTION GUIDE

Property	Alum/ Nickel (ME)	Alum/ Nickel-PTFE (MT)	Alum/ Olive Drab Cadmium (NF)	Alum/ Black Zinc-Nickel (ZR)	SST/ Passivate
Corrosion Resistance	Fair	Excellent	Excellent	Excellent	Excellent
Temperature Range	-65°C to +200°C	-65°C to +200°C	-65°C to +175°C	-65°C to +175°C	-65°C to +200°C
Salt Spray Hours	96	1000	1000	1000	2000
Conductivity	Excellent	Excellent	Good	Good	Fair
Relative Cost	\$\$	\$\$\$	\$\$	\$\$\$	\$\$\$\$
RoHS Compliant*	Yes	Yes	No	Yes	Yes

* Does not contain cadmium or hexavalent chromium. Meets EU requirements.

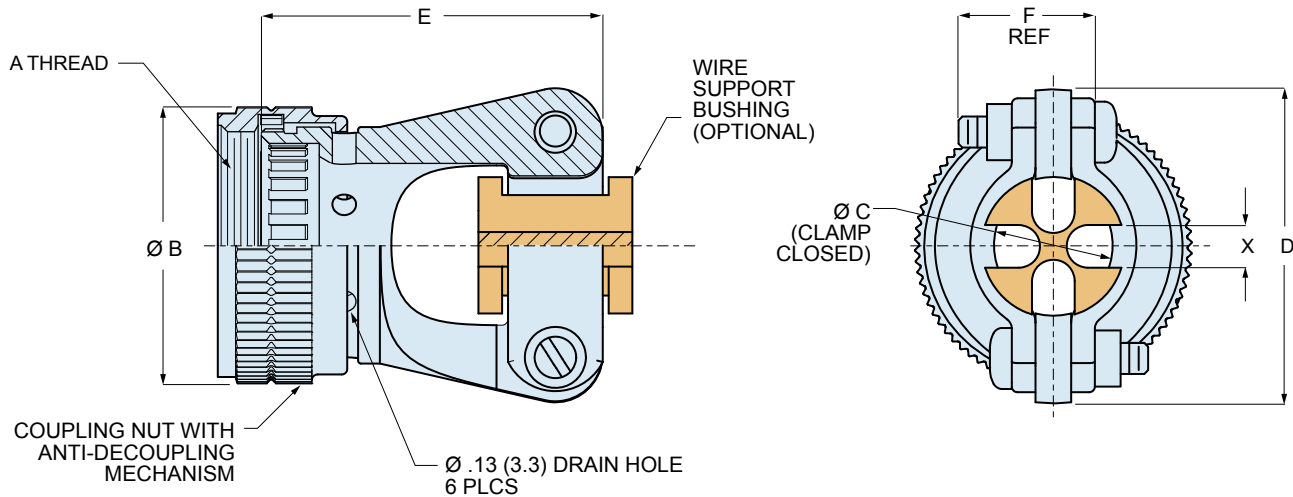


Series 970 PowerTrip™ Connectors and Accessories

Accessories

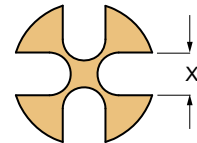
620PS076 Strain Relief Clamp

620PS076 STRAIN RELIEF CLAMP



DIMENSIONS

Shell Size	A Thread	Ø B Max.		C ± .031 (0.79)		D Max.		E Max.		F Ref.	
		In.	mm.	In.	mm.	In.	mm.	In.	mm.	In.	mm.
18	1.125-18 UNEF-2B	1.39	35.3	.438	11.13	1.500	38.10	1.83	46.48	.63	16.0
20	1.250-18 UNEF-2B	1.53	38.9	.625	15.88	1.687	42.85	1.83	46.48	.63	16.0
24	1.4375-18 UNEF-2B	1.72	43.7	.688	17.48	1.921	48.79	2.03	51.56	.63	16.0
28	1.8125-16 UN-2B	2.13	54.1	.938	23.83	2.355	59.82	2.13	54.10	.63	16.0
32	2.0625-16 UNS-2B	2.35	59.7	1.062	26.97	2.716	68.99	2.53	64.26	.75	19.1
36	2.250-16 UN-2B	2.59	65.8	1.438	36.53	2.869	72.87	2.53	64.26	.75	19.1
40	2.500-16 UN-2B	2.87	70.6	1.438	36.53	3.066	77.88	2.53	64.26	.75	19.1



BUSHING DIMENSIONS

Wire Size	X Ref.	
	In.	mm.
#8 AWG	.217	5.51
#4 AWG	.331	8.41
#1/0 AWG	.500	12.70

MATERIALS AND FINISHES

Coupling nut, clamp, saddle bars: aluminum or stainless steel. See **How To Order** for material & finish options.

Anti-decoupling spring: high-temperature thermoplastic

Wire support bushing: high-temperature thermoplastic

INSTALLATION TORQUE

Shell Size	Recommended Installation Torque Inch-Pounds ± 5
18	116
20, 24	136
28, 32, 36	148
40	164

X-ON Electronics

Largest Supplier of Electrical and Electronic Components

Click to view similar products for [Circular MIL Spec Strain Reliefs & Adapters](#) category:

Click to view products by [Glenair](#) manufacturer:

Other Similar products are found below :

[896227-000](#) [899170S004](#) [0113-023-000](#) [6000-063-0022](#) [CS6624-000](#) [620AB038Z136](#) [620AS001Z108](#) [620AS038Z112](#) [620AS038Z120](#)
[620AS038Z132](#) [620FB038NF08](#) [620HA038NF09](#) [620HA038NF11](#) [620HA038NF13](#) [620HA038NF25](#) [620HB049NF17](#) [620HS038NF11](#)
[620HS038Z121](#) [620HS042XM19](#) [620HS042XM25](#) [620HS048B17](#) [620MS064NF12](#) [620MS065Z107](#) [620MS065ZNU06](#) [627-123NF21-11](#)
[627-125NF23-6](#) [630J041M06H](#) [630J041M20H](#) [637S010NF0212H](#) [637S010NF0416A](#) [640830-000](#) [659943-000](#) [66241-10A](#) [CW0597-000](#)
[CW0598-000](#) [CW0948-000](#) [CY0122-000](#) [M85049/41-6A W/B](#) [M85049/42-12DS](#) [M85049/47N8](#) [M85049/51-1-14S](#) [M85049/51S16S](#)
[M85049/60-1N16](#) [M85049/60-2G12W](#) [M85049/69-11N](#) [CZ3661-000](#) [D02922-000](#) [70.360.1628.0](#) [703797-000](#) [705825-000](#)