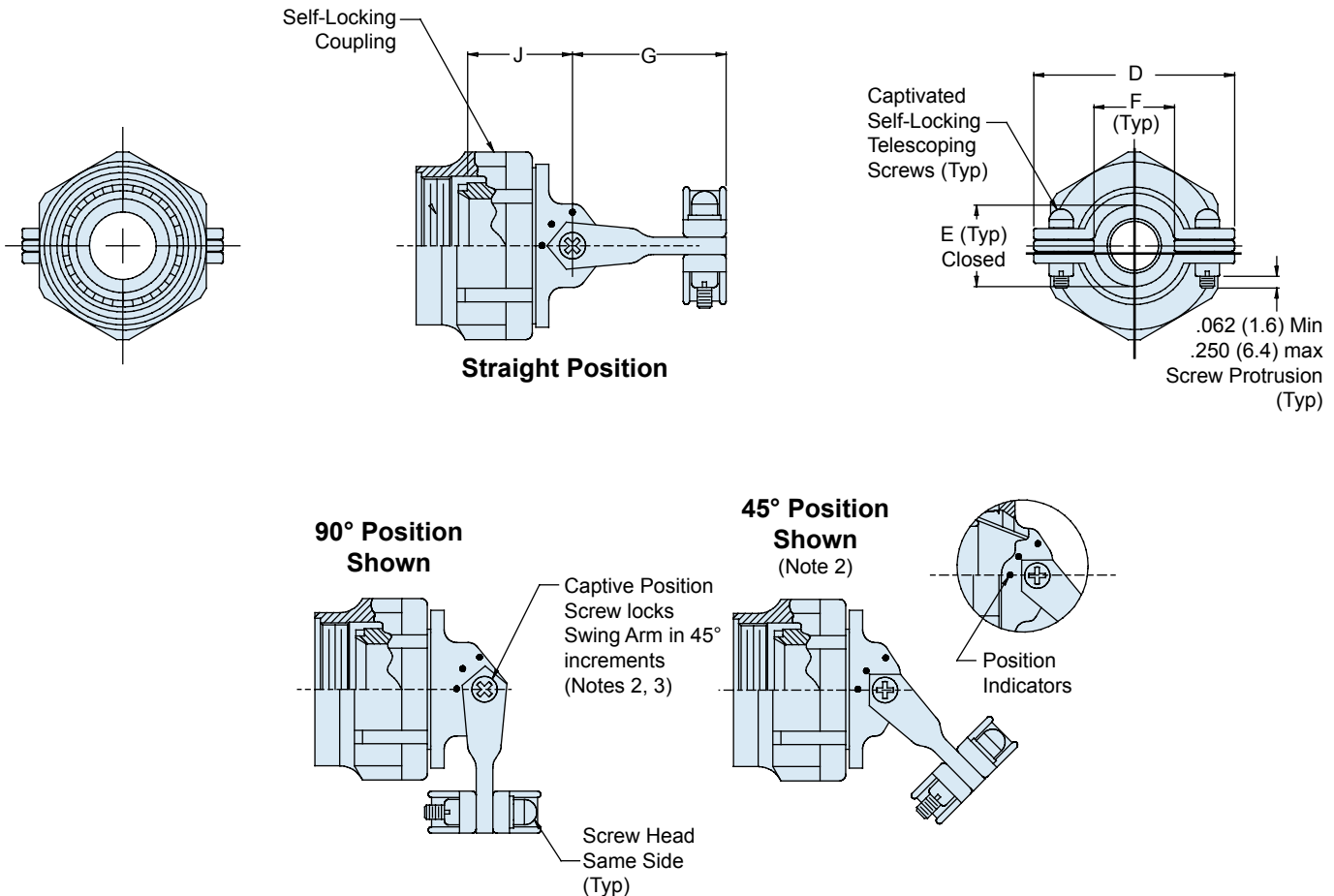
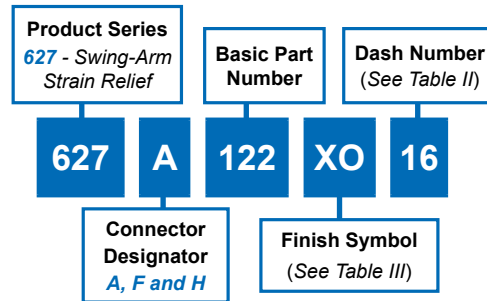


A

| CONNECTOR DESIGNATOR: | |
|---------------------------|---|
| A | MIL-DTL-5015, -26482 Series II, and -83723 Series I and III |
| F | MIL-DTL-38999 Series I, II |
| H | MIL-DTL-38999 Series III and IV |
| SELF-LOCKING | |
| ROTATABLE COUPLING | |
| LOW PROFILE | |



U.S. PATENT NO. 6419519

627-122 Composite Swing-Arm Strain Relief with Self-Locking Rotatable Coupling



Composite
Backshells

A

TABLE II: CONNECTOR SHELL SIZE ORDER NUMBER

| Shell Size for Connector Designator* | | | E | F | G | H | J |
|--------------------------------------|----|----|-------------|-------------|--------------|--------------|--------------|
| A | F | H | ±.06 (1.5) | Min | Max | Max | ±.03 0.8 |
| 08 | 08 | 09 | .265 (6.7) | .220 (5.9) | 1.060 (26.9) | .980 (24.9) | .880 (22.4) |
| 10 | 10 | 11 | .310 (7.9) | .270 (6.9) | 1.090 (27.7) | 1.050 (26.7) | .910 (23.1) |
| 12 | 12 | 13 | .390 (9.9) | .350 (8.9) | 1.180 (30.0) | 1.200 (30.5) | .950 (24.1) |
| 14 | 14 | 15 | .506 (12.9) | .470 (11.9) | 1.240 (31.5) | 1.300 (33.0) | 1.010 (25.7) |
| 16 | 16 | 17 | .591 (15.0) | .550 (14.0) | 1.320 (33.5) | 1.440 (36.6) | 1.050 (26.7) |
| 18 | 18 | 19 | .661 (16.8) | .620 (15.7) | 1.390 (35.3) | 1.560 (39.6) | 1.080 (30.0) |
| 20 | 20 | 21 | .744 (18.9) | .700 (17.8) | 1.550 (39.4) | 1.690 (42.9) | 1.120 (28.4) |
| 22 | 22 | 23 | .826 (21.0) | .780 (19.8) | 1.550 (39.4) | 1.770 (45.0) | 1.160 (29.5) |
| 24 | 24 | 25 | .896 (22.8) | .850 (21.6) | 1.610 (40.9) | 1.890 (48.0) | 1.200 (30.5) |

TABLE III: FINISH

| Symbol | Finish Description |
|--------|--|
| XB | No Plating - Black Color (Non-Conductive Finish) |
| XO | No Plating - Brown Color (Non-Conductive Finish) |

APPLICATION NOTES

- Metric dimensions (mm) are in parentheses and are for reference only.
- Glenair series 600 Backshell assembly Tools are recommended for assembly and installation.
- Swing Arm locks in 45° increments— Sizes 08 thru 24, additional positioning increments are manufacturer's option.
- Captive Screw can remain engaged to the body when positioning the Arm. When tightened, the Screw shall not protrude into the inside surfaces.
- Coupling nut supplied unplated.
- Consult factory for additional entry sizes available.
- See Table I in Intro for front-end dimensional details.

X-ON Electronics

Largest Supplier of Electrical and Electronic Components

Click to view similar products for [Circular MIL Spec Tools, Hardware & Accessories](#) *category:*

Click to view products by [Glenair](#) *manufacturer:*

Other Similar products are found below :

[809-199-3](#) [001104](#) [300 04](#) [600-006-16](#) [600-079-06](#) [M10-101982-143](#) [M10-101982-163](#) [M10-101983-183](#) [M10-150912-083](#) [M10-454396-008](#) [602GB18808](#) [M225201-06](#) [M24758-20E21](#) [M2887610-BC](#) [M2887615-CD](#) [M38999/9-19B](#) [62GB-812-10](#) [630A007NF083A](#) [630B007M051A](#) [630BJ003NF032H](#) [637-149NF04B](#) [M39029/29-215](#) [650FS002NF16](#) [M81969-14-02](#) [660-008NF14S7-01](#) [660-009M22H8-03](#) [660-013NF19U6-210](#) [660-015M10S6-17](#) [660-015NF10S5-01](#) [660-015NF14R3.5-01](#) [660-023NF19H6-19](#) [660-024N09S5-104](#) [660-024NF11S12-01](#) [660-024NF11S3-01](#) [660-050XM17F4-01](#) [660-068NF25R6-30G](#) [660-070M23S8-04](#) [660-073MTCH9-20](#) [M83723/60-116RC](#) [M83723/61-18W](#) [M83723/61-218R](#) [M83723/61-224W](#) [667-224NF16](#) [M85049/118S22A](#) [M85049/126S11N](#) [M85049130-07M](#) [M85049140-09BC](#) [M85049/41-16A W/B](#) [687-697NF-1](#) [M85049/75-14-1](#) [M8504980-8](#)