

**650BS001**  
**Dummy Stowage Receptacle - Threaded**  
**with Through-Hole Back Flange**  
**MIL-C-5015**

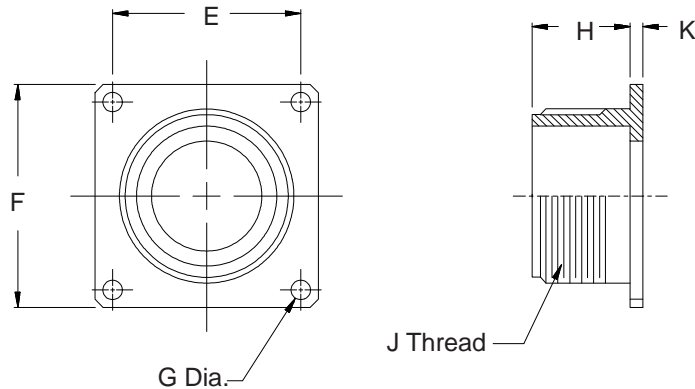
**MIL-C-5015**

**650BS001 B 20**

Basic Part No. \_\_\_\_\_

Finish (Table II) \_\_\_\_\_

Shell Size \_\_\_\_\_



See inside back cover fold-out or page 14 for Table II.

**TABLE III: DIMENSIONS**

Shell Size	J Thread Class 2A	E	F Max	G	H Max	K Max
08S	1/2 -28 UNEF	.594 (15.1)	.906 (23.0)	.120 (3.0)	.593 (15.1)	.156 (4.0)
10S	5/8 -24 UNEF	.719 (18.3)	1.031 (26.2)	.120 (3.0)	.593 (15.1)	.156 (4.0)
12S	3/4 -20 UNEF	.812 (20.6)	1.125 (28.6)	.120 (3.0)	.593 (15.1)	.156 (4.0)
12	3/4 -20 UNEF	.812 (20.6)	1.125 (28.6)	.120 (3.0)	.781 (19.8)	.156 (4.0)
14S	7/8 -20 UNEF	.906 (23.0)	1.219 (31.0)	.120 (3.0)	.593 (15.1)	.156 (4.0)
14	7/8 -20 UNEF	.906 (23.0)	1.219 (31.0)	.120 (3.0)	.781 (19.8)	.156 (4.0)
16S	1 -20 UNEF	.969 (24.6)	1.312 (33.3)	.120 (3.0)	.593 (15.1)	.156 (4.0)
16	1 -20 UNEF	.969 (24.6)	1.312 (33.3)	.120 (3.0)	.781 (19.8)	.156 (4.0)
18	1 1/8 -18 UNEF	1.062 (27.0)	1.406 (35.7)	.120 (3.0)	.781 (19.8)	.203 (5.2)
20	1 1/4 -18 UNEF	1.156 (29.4)	1.531 (38.9)	.120 (3.0)	.781 (19.8)	.203 (5.2)
22	1 3/8 -18 UNEF	1.250 (31.8)	1.656 (42.1)	.120 (3.0)	.781 (19.8)	.203 (5.2)
24	1 1/2 -18 UNEF	1.375 (34.9)	1.781 (45.2)	.147 (3.7)	.843 (21.4)	.203 (5.2)
28	1 3/4 -18 UNS	1.562 (39.7)	2.031 (51.6)	.147 (3.7)	.843 (21.4)	.203 (5.2)
32	2 -18 UNS	1.750 (44.5)	2.281 (57.9)	.173 (4.4)	.906 (23.0)	.359 (9.1)
36	2 1/4 -16 UN	1.938 (49.2)	2.531 (64.3)	.173 (4.4)	.906 (23.0)	.359 (9.1)
40	2 1/2 -16 UN	2.188 (55.6)	2.781 (70.6)	.173 (4.4)	.906 (23.0)	.359 (9.1)
44	2 3/4 -16 UN	2.375 (60.3)	3.031 (77.0)	.173 (4.4)	.906 (23.0)	.359 (9.1)
48	3 -16 UN	2.625 (66.7)	3.281 (83.3)	.173 (4.4)	.906 (23.0)	.359 (9.1)

1. For complete dimensions see Mil-C-5015.
2. Metric dimensions (mm) are indicated in parentheses.

## X-ON Electronics

Largest Supplier of Electrical and Electronic Components

*Click to view similar products for* [Circular MIL Spec Tools, Hardware & Accessories](#) *category:*

*Click to view products by* [Glenair](#) *manufacturer:*

Other Similar products are found below :

[0113-201-2025](#) [600-079-06](#) [600-146-06](#) [M10-101983-183](#) [M10-454396-008](#) [602GB18808](#) [CS3102A-22-14PW](#) [M2887615-CD](#) [627-009](#)  
[M38999/9-19B](#) [630A007NF083A](#) [630B007M051A](#) [630BJ003NF032H](#) [637-149NF04B](#) [M39029/29-215](#) [6408-203V-09273](#) [6426-201-11343](#)  
[650FS002NF16](#) [660-008NF14S7-01](#) [660-009M22H8-03](#) [660-013NF19U6-210](#) [660-015M10S6-17](#) [660-015NF10S5-01](#) [660-015NF14R3.5-01](#)  
[660-023NF19H6-19](#) [660-024NF11S12-01](#) [660-024NF11S3-01](#) [660-024NF17S4-109](#) [660-050XM17F4-01](#) [660-068NF25R6-30G](#) [660-](#)  
[070M23S8-04](#) [660-073MTCH9-20](#) [M83723/61-18W](#) [M83723/61-218R](#) [M83723/61-224W](#) [667-084-23C](#) [667-084-35C](#) [667-224NF16](#) [687-](#)  
[697NF-1](#) [M85049/94-10-A](#) [M85049/96-7-A](#) [M855282-10A01A](#) [M85528/2-10B](#) [M855282-18A01A](#) [M85528/2-22A01A](#) [M85528/2-22AA](#)  
[710HS460NF2508](#) [780-001-22G12-SK](#) [780-002-19G12-SK](#) [780-002-20G12SK](#)