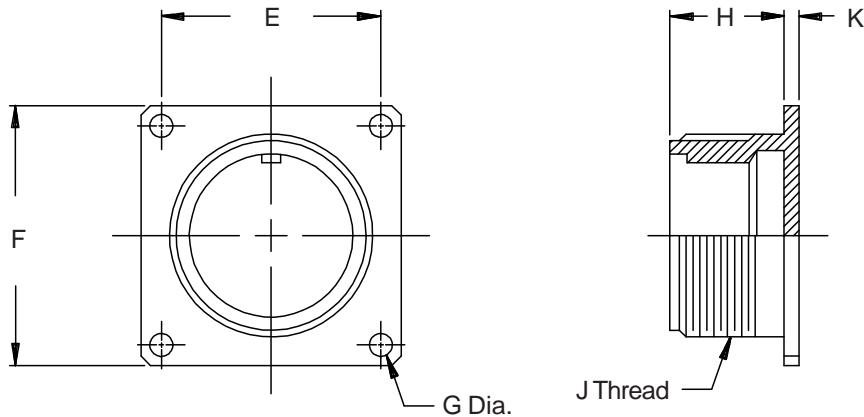
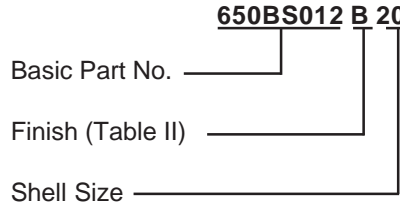


650BS012
Dummy Stowage Receptacles - Threaded
with Solid Back Flange
MIL-C-5015



MIL-C-5015



See inside back cover fold-out or page 14 for Table II.

TABLE III: DIMENSIONS

Shell Size	J Thread Class 2A	E	F Max	G	H Max	K Max
08S	1/2 -28 UNEF	.594 (15.1)	.906 (23.0)	.120 (3.0)	.593 (15.1)	.156 (4.0)
10S	5/8 -24 UNEF	.719 (18.3)	1.031 (26.2)	.120 (3.0)	.593 (15.1)	.156 (4.0)
12S	3/4 -20 UNEF	.812 (20.6)	1.125 (28.6)	.120 (3.0)	.593 (15.1)	.156 (4.0)
12	3/4 -20 UNEF	.812 (20.6)	1.125 (28.6)	.120 (3.0)	.781 (19.8)	.156 (4.0)
14S	7/8 -20 UNEF	.906 (23.0)	1.219 (31.0)	.120 (3.0)	.593 (15.1)	.156 (4.0)
14	7/8 -20 UNEF	.906 (23.0)	1.219 (31.0)	.120 (3.0)	.781 (19.8)	.156 (4.0)
16S	1 -20 UNEF	.969 (24.6)	1.312 (33.3)	.120 (3.0)	.593 (15.1)	.156 (4.0)
16	1 -20 UNEF	.969 (24.6)	1.312 (33.3)	.120 (3.0)	.781 (19.8)	.156 (4.0)
18	1 1/8 -18 UNEF	1.062 (27.0)	1.406 (35.7)	.120 (3.0)	.781 (19.8)	.203 (5.2)
20	1 1/4 -18 UNEF	1.156 (29.4)	1.531 (38.9)	.120 (3.0)	.781 (19.8)	.203 (5.2)
22	1 3/8 -18 UNEF	1.250 (31.8)	1.656 (42.1)	.120 (3.0)	.781 (19.8)	.203 (5.2)
24	1 1/2 -18 UNEF	1.375 (34.9)	1.781 (45.2)	.147 (3.7)	.843 (21.4)	.203 (5.2)
28	1 3/4 -18 UNS	1.562 (39.7)	2.031 (51.6)	.147 (3.7)	.843 (21.4)	.203 (5.2)
32	2 -18 UNS	1.750 (44.5)	2.281 (57.9)	.173 (4.4)	.906 (23.0)	.359 (9.1)
36	2 1/4 -16 UN	1.938 (49.2)	2.531 (64.3)	.173 (4.4)	.906 (23.0)	.359 (9.1)
40	2 1/2 -16 UN	2.188 (55.6)	2.781 (70.6)	.173 (4.4)	.906 (23.0)	.359 (9.1)
44	2 3/4 -16 UN	2.375 (60.3)	3.031 (77.0)	.173 (4.4)	.906 (23.0)	.359 (9.1)
48	3 -16 UN	2.625 (66.7)	3.281 (83.3)	.173 (4.4)	.906 (23.0)	.359 (9.1)

1. For complete dimensions see Mil-C-5015.
2. Metric dimensions (mm) are indicated in parentheses.

X-ON Electronics

Largest Supplier of Electrical and Electronic Components

Click to view similar products for [Circular MIL Spec Tools, Hardware & Accessories](#) *category:*

Click to view products by [Glenair](#) *manufacturer:*

Other Similar products are found below :

[809-199-3](#) [001104](#) [300 04](#) [600-006-16](#) [600-079-06](#) [M10-101982-143](#) [M10-101982-163](#) [M10-101983-183](#) [M10-150912-083](#) [M10-454396-008](#) [602GB18808](#) [M225201-06](#) [M24758-20E21](#) [M2887610-BC](#) [M2887615-CD](#) [M38999/9-19B](#) [62GB-812-10](#) [630A007NF083A](#) [630B007M051A](#) [630BJ003NF032H](#) [637-149NF04B](#) [M39029/29-215](#) [650FS002NF16](#) [M81969-14-02](#) [660-008NF14S7-01](#) [660-009M22H8-03](#) [660-013NF19U6-210](#) [660-015M10S6-17](#) [660-015NF10S5-01](#) [660-015NF14R3.5-01](#) [660-023NF19H6-19](#) [660-024N09S5-104](#) [660-024NF11S12-01](#) [660-024NF11S3-01](#) [660-050XM17F4-01](#) [660-068NF25R6-30G](#) [660-070M23S8-04](#) [660-073MTCH9-20](#) [M83723/60-116RC](#) [M83723/61-18W](#) [M83723/61-218R](#) [M83723/61-224W](#) [667-224NF16](#) [M85049/118S22A](#) [M85049/126S11N](#) [M85049130-07M](#) [M85049140-09BC](#) [M85049/41-16A W/B](#) [687-697NF-1](#) [M85049/75-14-1](#) [M8504980-8](#)