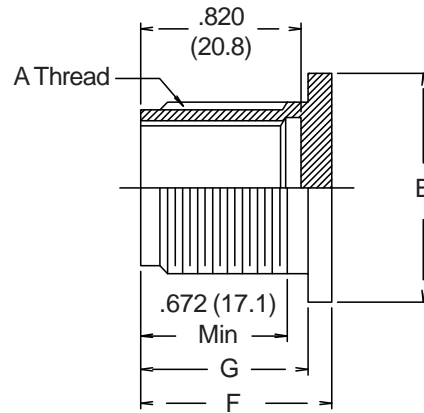
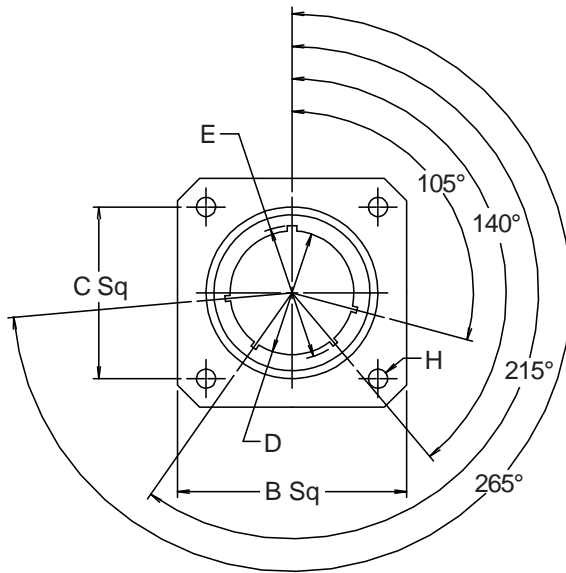
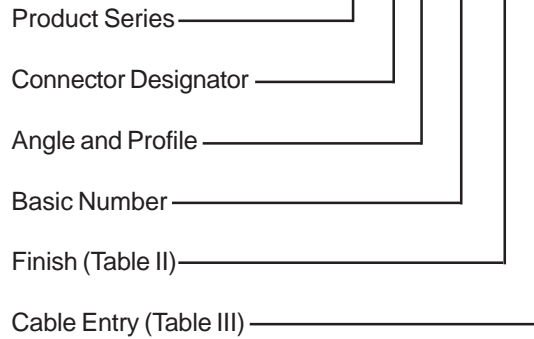


MIL-C-22992

650 C S 002 M 24



**650CS002
Dummy Stowage Receptacle
MIL-C-22992**



TABLE III: DIMENSIONS

| Shell Size | J Thread Class 2A | B ± .020 (0.5) | C SQ | D +.005 (0.1) -.010 (0.3) | E +.010 (0.3) -.006 (0.2) | F +.021 (0.5) -.010 (0.3) | G +.010 (0.3) -.000 (0) | H ± .005 (0.1) |
|------------|---------------------|-------------------|--------------|---------------------------------|---------------------------------|---------------------------------|-------------------------------|-------------------|
| 12 | .8750-0.1P-0.2L-DS | 1.188 (30.2) | .906 (23.0) | .567 (14.4) | .647 (16.4) | .938 (23.8) | .797 (20.2) | .150 (3.8) |
| 14 | 1.0000-0.1P-0.2L-DS | 1.281 (32.3) | .969 (24.6) | .692 (17.6) | .772 (19.6) | .938 (23.8) | .797 (20.2) | .150 (3.8) |
| 16 | 1.1250-0.1P-0.2L-DS | 1.375 (34.9) | 1.062 (27.0) | .817 (20.8) | .897 (22.8) | .938 (23.8) | .797 (20.2) | .150 (3.8) |
| 18 | 1.2500-0.1P-0.2L-DS | 1.500 (38.1) | 1.156 (29.4) | .942 (23.9) | 1.022 (26.0) | .953 (24.2) | .797 (20.2) | .177 (4.5) |
| 20 | 1.3750-0.1P-0.2L-DS | 1.625 (41.3) | 1.250 (31.8) | 1.068 (27.1) | 1.148 (29.2) | .953 (24.2) | .797 (20.2) | .177 (4.5) |
| 22 | 1.5000-0.1P-0.2L-DS | 1.750 (44.5) | 1.375 (34.9) | 1.192 (30.3) | 1.272 (32.3) | .953 (24.2) | .797 (20.2) | .177 (4.5) |
| 24 | 1.7500-0.1P-0.2L-DS | 2.000 (50.8) | 1.562 (39.7) | 1.317 (33.5) | 1.473 (37.4) | 1.047 (26.6) | .859 (21.8) | .177 (4.5) |
| 28 | 2.0000-0.1P-0.2L-DS | 2.250 (57.2) | 1.750 (44.5) | 1.536 (39.0) | 1.692 (43.0) | 1.047 (26.6) | .859 (21.8) | .177 (4.5) |
| 32 | 2.2500-0.1P-0.2L-DS | 2.500 (63.5) | 1.938 (49.2) | 1.786 (45.4) | 1.942 (49.3) | 1.110 (28.2) | .922 (23.4) | .209 (5.3) |
| 36 | 2.5000-0.1P-0.2L-DS | 2.750 (69.9) | 2.188 (55.6) | 2.005 (50.9) | 2.161 (54.9) | 1.110 (28.2) | .922 (23.4) | .209 (5.3) |
| 40 | 2.7500-0.1P-0.2L-DS | 3.000 (76.2) | 2.375 (60.3) | 2.255 (57.3) | 2.411 (61.2) | 1.110 (28.2) | .922 (23.4) | .209 (5.3) |

1. For complete dimensions see Mil-C-22992.
2. Metric dimensions (mm) are indicated in parentheses.

X-ON Electronics

Largest Supplier of Electrical and Electronic Components

Click to view similar products for [Circular MIL Spec Tools, Hardware & Accessories](#) *category:*

Click to view products by [Glenair](#) *manufacturer:*

Other Similar products are found below :

[0113-201-2025](#) [600-079-06](#) [600-146-06](#) [M10-101983-183](#) [M10-454396-008](#) [602GB18808](#) [CS3102A-22-14PW](#) [M2887615-CD](#) [627-009](#)
[M38999/9-19B](#) [630A007NF083A](#) [630B007M051A](#) [630BJ003NF032H](#) [637-149NF04B](#) [M39029/29-215](#) [6408-203V-09273](#) [6426-201-11343](#)
[650FS002NF16](#) [660-008NF14S7-01](#) [660-009M22H8-03](#) [660-013NF19U6-210](#) [660-015M10S6-17](#) [660-015NF10S5-01](#) [660-015NF14R3.5-01](#)
[660-023NF19H6-19](#) [660-024NF11S12-01](#) [660-024NF11S3-01](#) [660-024NF17S4-109](#) [660-050XM17F4-01](#) [660-068NF25R6-30G](#) [660-](#)
[070M23S8-04](#) [660-073MTCH9-20](#) [M83723/61-18W](#) [M83723/61-218R](#) [M83723/61-224W](#) [667-084-23C](#) [667-084-35C](#) [667-224NF16](#) [687-](#)
[697NF-1](#) [M85049/94-10-A](#) [M85049/96-7-A](#) [M855282-10A01A](#) [M85528/2-10B](#) [M855282-18A01A](#) [M85528/2-22A01A](#) [M85528/2-22AA](#)
[710HS460NF2508](#) [780-001-22G12-SK](#) [780-002-19G12-SK](#) [780-002-20G12SK](#)