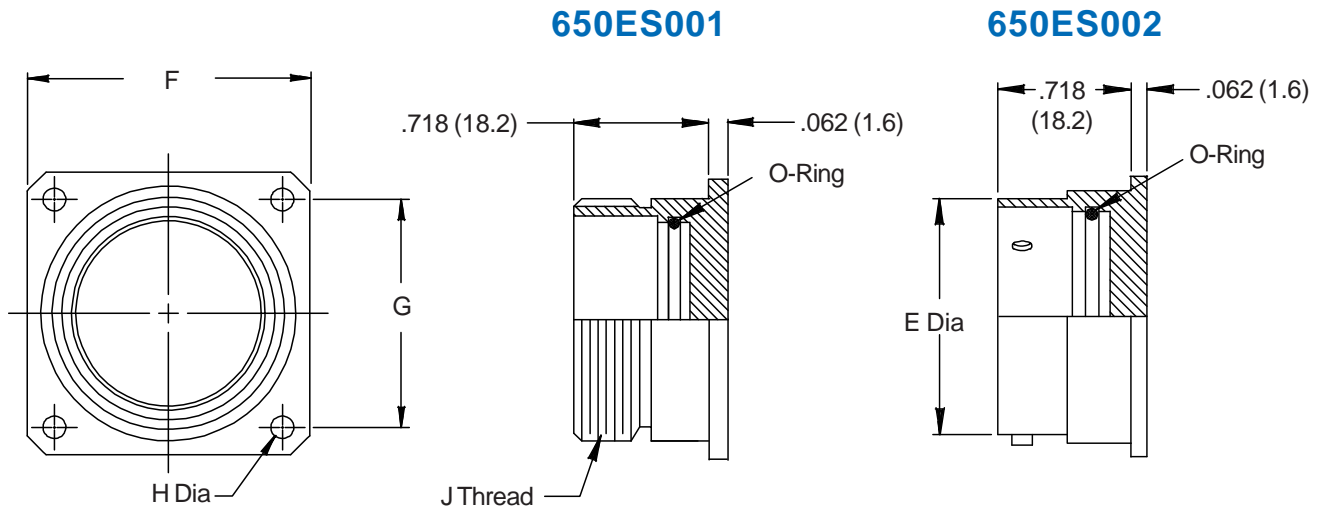
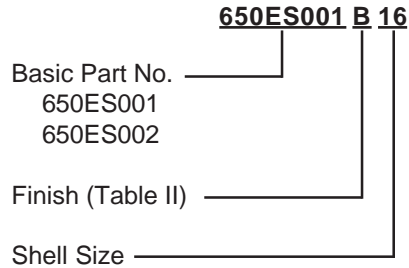


650ES001
Dummy Storage Receptacle - Threaded and Bayonet
MIL-C-26500 and MIL-C-83723 Series III



MIL-C-26500
MIL-C-83723
Series III Threaded
and Bayonet



See inside back cover fold-out or page 14 for Table II.

| TABLE III: DIMENSIONS | | | | | | | |
|-----------------------|------------------------|--------------|--------------|--------------|------------|------------------|--|
| Shell Size | Shell Size Mil. Ref. * | E Dia | F | G | H Dia | J Thread | |
| 08 | 7 | .536 (13.6) | .812 (20.6) | .594 (15.1) | .125 (3.2) | 9/16 - 24 UNEF | |
| 10 | 1 | .659 (16.7) | .937 (23.8) | .719 (18.3) | .125 (3.2) | 11/16 - 24 UNEF | |
| 12 | 2 | .829 (21.1) | 1.031 (26.2) | .812 (20.6) | .125 (3.2) | 7/8 - 20 UNEF | |
| 14 | 3 | .898 (22.8) | 1.125 (28.6) | .906 (23.0) | .125 (3.2) | 15/16 - 20 UNEF | |
| 16 | 4 | 1.025 (26.0) | 1.250 (31.8) | .969 (24.6) | .125 (3.2) | 1 1/16 - 18 UNEF | |
| 18 | 5 | 1.131 (28.7) | 1.343 (34.1) | 1.062 (27.0) | .125 (3.2) | 1 3/16 - 18 UNEF | |
| 20 | 8 | 1.256 (31.9) | 1.437 (36.5) | 1.156 (29.4) | .125 (3.2) | 1 5/16 - 18 UNEF | |
| 22 | 6 | 1.381 (35.1) | 1.562 (39.7) | 1.250 (31.8) | .125 (3.2) | 1 7/16 - 18 UNEF | |
| 24 | 9 | 1.506 (38.3) | 1.703 (43.3) | 1.375 (34.9) | .154 (3.9) | 1 9/16 - 18 UNEF | |

* MS27296 and MS27297

Metric dimensions (mm) are indicated in parentheses.

X-ON Electronics

Largest Supplier of Electrical and Electronic Components

Click to view similar products for [Circular MIL Spec Tools, Hardware & Accessories](#) *category:*

Click to view products by [Glenair](#) *manufacturer:*

Other Similar products are found below :

[809-199-3](#) [001104](#) [300 04](#) [600-006-16](#) [600-079-06](#) [M10-101982-143](#) [M10-101982-163](#) [M10-101983-183](#) [M10-150912-083](#) [M10-454396-008](#) [602GB18808](#) [M225201-06](#) [M24758-20E21](#) [M2887610-BC](#) [M2887615-CD](#) [M38999/9-19B](#) [62GB-812-10](#) [630A007NF083A](#) [630B007M051A](#) [630BJ003NF032H](#) [637-149NF04B](#) [M39029/29-215](#) [650FS002NF16](#) [M81969-14-02](#) [660-008NF14S7-01](#) [660-009M22H8-03](#) [660-013NF19U6-210](#) [660-015M10S6-17](#) [660-015NF10S5-01](#) [660-015NF14R3.5-01](#) [660-023NF19H6-19](#) [660-024N09S5-104](#) [660-024NF11S12-01](#) [660-024NF11S3-01](#) [660-050XM17F4-01](#) [660-068NF25R6-30G](#) [660-070M23S8-04](#) [660-073MTCH9-20](#) [M83723/60-116RC](#) [M83723/61-18W](#) [M83723/61-218R](#) [M83723/61-224W](#) [667-224NF16](#) [M85049/118S22A](#) [M85049/126S11N](#) [M85049130-07M](#) [M85049140-09BC](#) [M85049/41-16A W/B](#) [687-697NF-1](#) [M85049/75-14-1](#) [M8504980-8](#)