

650HS010

Dummy Storage Receptacle - Threaded

MIL-C-38999 Series III

MIL-C-38999 Series III

Basic Part No. 650HS010 B 17
 Finish (Table II) _____
 Shell Size _____

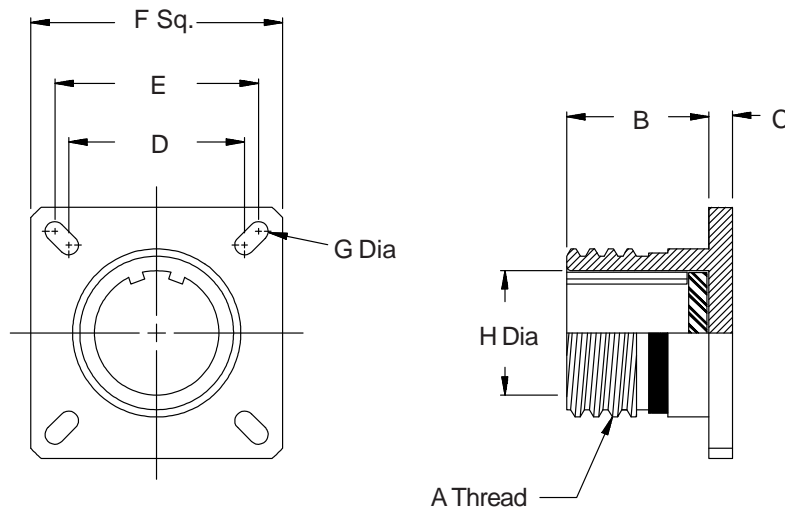


TABLE III: DIMENSIONS

Shell Size	Shell Size Code	A Thread	B Max	C Max	D
09	A	.625-.1P-3LTS	.843 (21.4)	.110 (2.8)	.594 (15.1)
11	B	.750-.1P-3LTS	.843 (21.4)	.110 (2.8)	.719 (18.3)
13	C	.875-.1P-3LTS	.843 (21.4)	.110 (2.8)	.812 (20.6)
15	D	1.000-.1P-3LTS	.843 (21.4)	.110 (2.8)	.906 (23.0)
17	E	1.187-.1P-3LTS	.843 (21.4)	.110 (2.8)	.969 (24.6)
19	F	1.250-.1P-3LTS	.843 (21.4)	.110 (2.8)	1.062 (27.0)
21	G	1.375-.1P-3LTS	.811 (20.6)	.137 (3.5)	1.156 (29.4)
23	H	1.500-.1P-3LTS	.811 (20.6)	.137 (3.5)	1.250 (31.8)
25	J	1.625-.1P-3LTS	.811 (20.6)	.137 (3.5)	1.375 (34.9)

See inside back cover fold-out or page 14 for Table II.

Metric dimensions (mm) are indicated in parentheses.

TABLE III (Continued)

Shell Size	Shell Size Code	E	F Max	G Dia ±.007 (0.2)	H Dia
09	A	.719 (18.3)	.949 (24.1)	.128 (3.3)	.492 (12.5)
11	B	.812 (20.6)	1.043 (26.5)	.128 (3.3)	.620 (15.7)
13	C	.906 (23.0)	1.138 (28.9)	.128 (3.3)	.769 (19.5)
15	D	.969 (24.6)	1.232 (31.3)	.128 (3.3)	.894 (22.7)
17	E	1.062 (27.0)	1.322 (33.6)	.128 (3.3)	1.019 (25.9)
19	F	1.156 (29.4)	1.448 (36.8)	.128 (3.3)	1.124 (28.5)
21	G	1.250 (31.8)	1.574 (40.0)	.128 (3.3)	1.249 (31.7)
23	H	1.375 (34.9)	1.700 (43.2)	.154 (3.9)	1.374 (34.9)
25	J	1.500 (38.1)	1.822 (46.3)	.154 (3.9)	1.499 (38.1)

X-ON Electronics

Largest Supplier of Electrical and Electronic Components

Click to view similar products for [Circular MIL Spec Tools, Hardware & Accessories](#) *category:*

Click to view products by [Glenair](#) *manufacturer:*

Other Similar products are found below :

[0113-201-2025](#) [600-079-06](#) [600-146-06](#) [M10-101982-143](#) [M10-101982-163](#) [M10-101983-183](#) [M10-150912-083](#) [M10-454396-008](#)
[602GB18808](#) [CS3102A-22-14PW](#) [M2887615-CD](#) [627-009](#) [M38999/9-19B](#) [630A007NF083A](#) [630B007M051A](#) [630BJ003NF032H](#) [637-](#)
[149NF04B](#) [M39029/29-215](#) [6408-203V-09273](#) [6426-201-11343](#) [650FS002NF16](#) [660-008NF14S7-01](#) [660-009M22H8-03](#) [660-013NF19U6-](#)
[210](#) [660-015M10S6-17](#) [660-015NF10S5-01](#) [660-015NF14R3.5-01](#) [660-023NF19H6-19](#) [660-024NF11S12-01](#) [660-024NF11S3-01](#) [660-](#)
[024NF17S4-109](#) [660-050XM17F4-01](#) [660-068NF25R6-30G](#) [660-070M23S8-04](#) [660-073MTCH9-20](#) [M83723/61-18W](#) [M83723/61-218R](#)
[M83723/61-224W](#) [667-084-23C](#) [667-084-35C](#) [667-224NF16](#) [687-697NF-1](#) [M85049/94-10-A](#) [M85049/96-7-A](#) [M855282-10A01A](#)
[M85528/2-10B](#) [M855282-18A01A](#) [M85528/2-22A01A](#) [M85528/2-22AA](#) [710HS460NF2508](#)