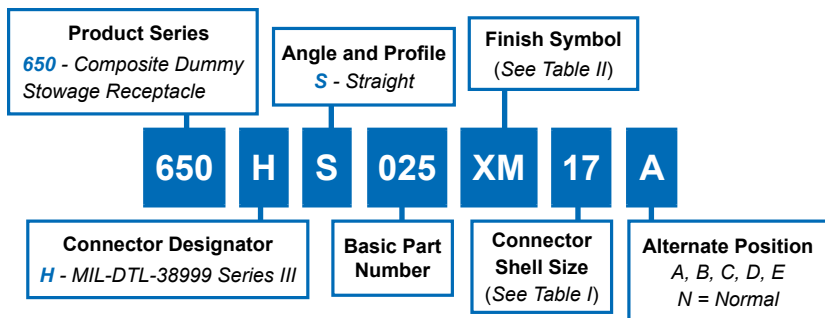


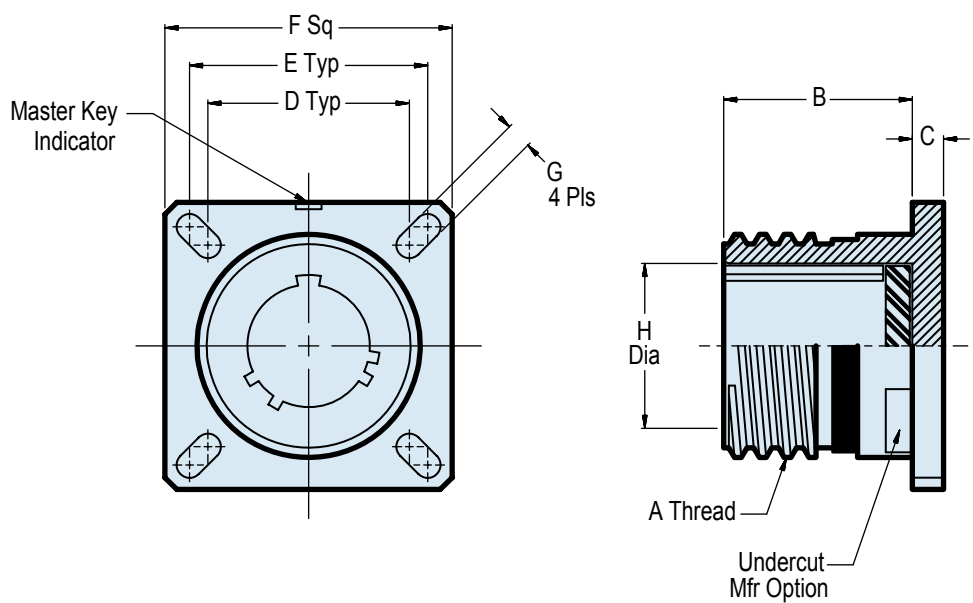


# 650-025 Composite Dummy Stowage Receptacle for MIL-DTL-38999 Series III Connectors



Symbol	Finish Description
<b>XB</b>	No Plating - Black Color (Non-Conductive Finish)
<b>XM</b>	1000 Hour Corrosion Resistant Electroless Nickel
<b>XW</b>	1000 Hour Corrosion Resistant Cadmium/Olive Drab over Electroless Nickel
<b>XO</b>	No Plating - Brown Color (Non-Conductive Finish)
<b>XMT</b>	Metalize in Electrodeposited Copper Flash Per MIL-C-14550, Nickel-PTFE IAW GP552-XMT

**B**



Shell Size	Shell Size Code	A Thread	B +.055 (1.4) -0.00	C	D	E	F ±.012 (0.3)	G Dim ±.008 (0.20)	H +.000 -.005 (.127)
09	A	.625-.1P-0.3LTS	.786 (19.5)	.144/.087 (3.65/2.2)	.594 (15.1)	.719 (18.3)	.937 (23.8)	.128 (3.3)	.192 (12.5)
11	B	.750-.1P-0.3LTS	.786 (19.5)	.144/.087 (3.65/2.2)	.719 (18.3)	.812 (20.6)	1.031 (26.2)	.128 (3.3)	.620 (15.7)
13	C	.875-.1P-0.3LTS	.786 (19.5)	.144/.087 (3.65/2.2)	.812 (20.6)	.906 (23.0)	1.126 (28.6)	.128 (3.3)	.769 (19.5)
15	D	1.000-.1P-0.3LTS	.786 (19.5)	.144/.087 (3.65/2.2)	.906 (23.0)	.969 (24.6)	1.220 (31.0)	.128 (3.3)	.894 (22.7)
17	E	1.187-.1P-0.3LTS	.786 (19.5)	.144/.087 (3.65/2.2)	.969 (24.6)	1.062 (27.0)	1.311 (33.3)	.128 (3.3)	1.019 (25.9)
19	F	1.250-.1P-0.3LTS	.786 (19.5)	.144/.087 (3.65/2.2)	1.062 (27.0)	1.156 (29.4)	1.437 (36.5)	.128 (3.3)	1.124 (28.5)
21	G	1.375-.1P-0.3LTS	.736 (18.7)	.171/.114 (4.35/9)	1.156 (29.4)	1.250 (31.8)	1.563 (39.7)	.128 (3.3)	1.249 (31.7)
23	H	1.500-.1P-0.3LTS	.736 (18.7)	.171/.114 (4.35/9)	1.250 (31.8)	1.375 (34.9)	1.689 (42.9)	.154 (3.9)	1.374 (34.9)
25	J	1.625-.1P-0.3LTS	.736 (18.7)	.171/.114 (4.35/9)	1.375 (34.9)	1.500 (38.1)	1.811 (46.0)	.154 (3.9)	1.499 (38.1)

Metric dimensions (mm) are in parentheses and are for reference only.

## X-ON Electronics

Largest Supplier of Electrical and Electronic Components

*Click to view similar products for* [Circular MIL Spec Tools, Hardware & Accessories](#) *category:*

*Click to view products by* [Glenair](#) *manufacturer:*

Other Similar products are found below :

[0113-201-2025](#) [600-079-06](#) [600-146-06](#) [M10-101982-143](#) [M10-101982-163](#) [M10-101983-183](#) [M10-150912-083](#) [M10-454396-008](#)  
[602GB18808](#) [CS3102A-22-14PW](#) [M2887615-CD](#) [627-009](#) [M38999/9-19B](#) [630A007NF083A](#) [630B007M051A](#) [630BJ003NF032H](#) [637-](#)  
[149NF04B](#) [M39029/29-215](#) [6408-203V-09273](#) [6426-201-11343](#) [650FS002NF16](#) [660-008NF14S7-01](#) [660-009M22H8-03](#) [660-013NF19U6-](#)  
[210](#) [660-015M10S6-17](#) [660-015NF10S5-01](#) [660-015NF14R3.5-01](#) [660-023NF19H6-19](#) [660-024NF11S12-01](#) [660-024NF11S3-01](#) [660-](#)  
[024NF17S4-109](#) [660-050XM17F4-01](#) [660-068NF25R6-30G](#) [660-070M23S8-04](#) [660-073MTCH9-20](#) [M83723/61-18W](#) [M83723/61-218R](#)  
[M83723/61-224W](#) [667-084-23C](#) [667-084-35C](#) [667-224NF16](#) [687-697NF-1](#) [M85049/94-10-A](#) [M85049/96-7-A](#) [M855282-10A01A](#)  
[M85528/2-10B](#) [M855282-18A01A](#) [M85528/2-22A01A](#) [M85528/2-22AA](#) [710HS460NF2508](#)