



RJ45 AND USB 2.0

Contacts, Tools, and Accessories

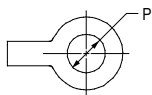
660-011 Series 66 Protective Covers for 28840 Type Receptacle Connectors



MIL-DTL-28840 Type

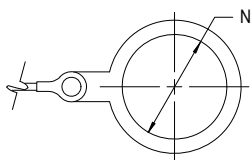
How To Order							
Sample Part Number	660	-011	M	17	H	5	-01
Series	660 = Series 66						
Cover Type	-011 = Metal Receptacle Cover (See Note 2)						
Material and Finish	See Material and Finish Table						
Shell Size	15, 17, 19						
Lanyard Type	D, S, F, G, H, R, T, U (See Lanyard Type Table)						
Lanyard Length	Length in inches; i.e. 3 = 3 inches						
Ring Style Dash No.	See Tables I, II or III for Ring Selection and Dash Number. Omit for "SK" slip knot attachment						

Dash No.	P Dia ± .010 (0.3)	Dash No.	P Dia ± .010 (0.3)
01	.140 (3.6)	06	.125 (3.2)
02	.182 (4.6)	07	.218 (5.5)
03	.191 (4.9)	09	.156 (4.0)
04	.197 (5.0)	00	no eyelet
05	.167 (4.2)		



For attachment to panel

Dash No.	Shell Size	N
208	15 (C)	1.203 (30.6)
109	17 (D)	1.266 (32.2)
111	19 (E)	1.521 (38.6)



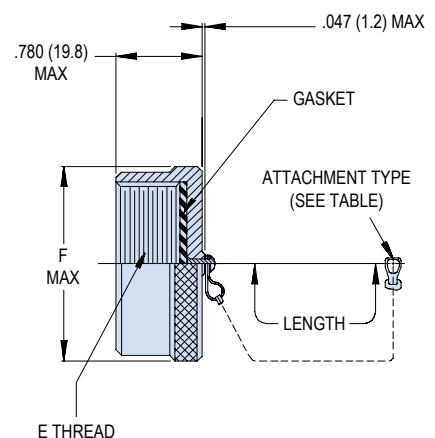
SOLID RING (with tab)

For attachment behind jam nut

Shell Size	F Thread	F Max
15 (C)	1.062 - 0.1P-0.2L-DS	1.260 (32.0)
17 (D)	1.125 - 0.1P-0.2L-DS	1.457 (37.0)
19 (E)	1.312 - 0.1P-0.2L-DS	1.535 (39.0)

Sym	Attachment
D	Bead chain, cres passivated, w/ terminal
F	Wire rope, nylon jacket w/ terminal
G	Nylon rope
H	Wire rope, fluoropolymer jacket w/ terminal
N	Attachment omitted
R	Wire rope, PVC jacket w/terminal
T	Wire rope, no jacket, w/terminal
S	#8 Sash chain, cres, passivate
U	Wire rope, polyurethane jacket with terminal

NF	Aluminum/Cadmium, Olive Drab
M	Aluminum/Electroless Nickel
MT	Aluminum/Nickel PTFE
ZR	Aluminum/Zinc-Nickel Black
Z1	Stainless Steel/Passivate



NOTES

- Length tolerance for Sash Chain (S) is ± 1 link, for all other attachments ± .25.
- For plug covers contact factory
- Material and Finish
 - Gasket: Silicone
 - Components, rivet: Stainless Steel/Passivate

Lanyard Types		
Bead Chain (Type D)	Sash Chain (Type S)	Rope (Types F, G, H, R, T, U)

X-ON Electronics

Largest Supplier of Electrical and Electronic Components

Click to view similar products for [Circular MIL Spec Tools, Hardware & Accessories](#) *category:*

Click to view products by [Glenair](#) *manufacturer:*

Other Similar products are found below :

[809-199-3](#) [001104](#) [300 04](#) [600-006-16](#) [600-079-06](#) [M10-101982-143](#) [M10-101982-163](#) [M10-101983-183](#) [M10-150912-083](#) [M10-454396-008](#) [602GB18808](#) [M225201-06](#) [M24758-20E21](#) [M2887610-BC](#) [M2887615-CD](#) [M38999/9-19B](#) [62GB-812-10](#) [630A007NF083A](#) [630B007M051A](#) [630BJ003NF032H](#) [637-149NF04B](#) [M39029/29-215](#) [650FS002NF16](#) [M81969-14-02](#) [660-008NF14S7-01](#) [660-009M22H8-03](#) [660-013NF19U6-210](#) [660-015M10S6-17](#) [660-015NF10S5-01](#) [660-015NF14R3.5-01](#) [660-023NF19H6-19](#) [660-024N09S5-104](#) [660-024NF11S12-01](#) [660-024NF11S3-01](#) [660-050XM17F4-01](#) [660-068NF25R6-30G](#) [660-070M23S8-04](#) [660-073MTCH9-20](#) [M83723/60-116RC](#) [M83723/61-18W](#) [M83723/61-218R](#) [M83723/61-224W](#) [667-224NF16](#) [M85049/118S22A](#) [M85049/126S11N](#) [M85049130-07M](#) [M85049140-09BC](#) [M85049/41-16A W/B](#) [687-697NF-1](#) [M85049/75-14-1](#) [M8504980-8](#)