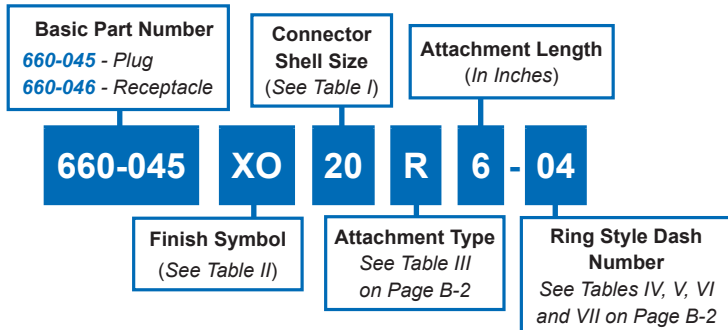
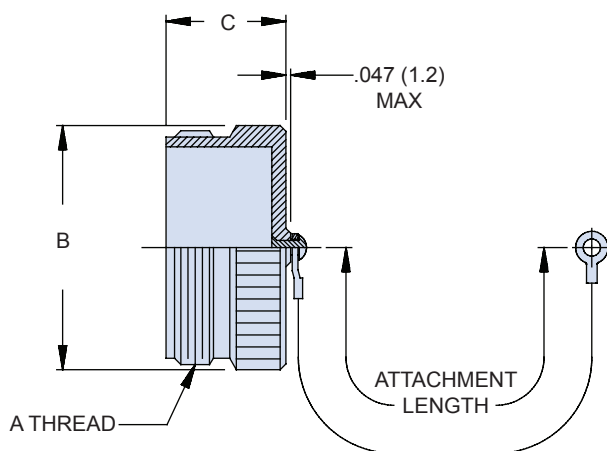


660-045 • 660-046  
Composite MIL-DTL-5015  
Protective Covers

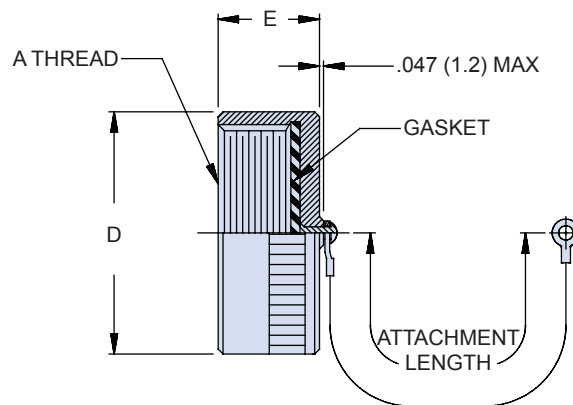


Symbol	Finish Description
XB	No Plating - Black Color (Non-Conductive Finish)
XM	2000 Hour Corrosion Resistant Electroless Nickel
XMT	2000 Hour Corrosion Resistant Ni-PTFE, Nickel-Fluorocarbon Polymer. 1000 Hour Grey™
XO	No Plating - Brown Color (Non-Conductive Finish)
XW	2000 Hour Corrosion Resistant Cadmium/Olive Drab over Electroless Nickel

660-045  
MIL-DTL-5015 PLUG COVER



660-046  
MIL-DTL-5015 RECEPTACLE COVER



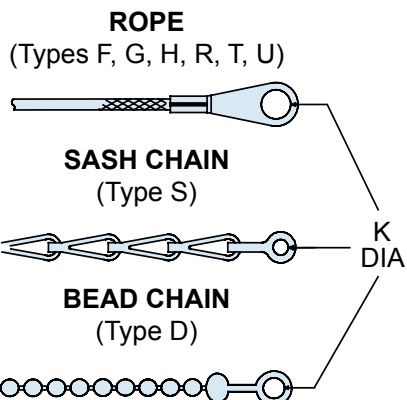
SHELL SIZE	A THREAD	B MAX	C MAX	D MAX	E MAX
08	1/2 - 28 UNEF	.562 (14.3)	.656 (16.7)	.688 (17.5)	.465 (11.8)
10	5/8 - 24 UNEF	.687 (17.4)	.656 (16.7)	.815 (20.7)	.465 (11.8)
12	3/4 - 20 UNEF	.812 (20.6)	.844 (21.4)	1.000 (25.4)	.465 (11.8)
14	7/8 - 20 UNEF	.937 (23.8)	.844 (21.4)	1.125 (28.6)	.465 (11.8)
16	1 - 20 UNEF	1.062 (27.0)	.844 (21.4)	1.188 (30.2)	.465 (11.8)
18	1 1/8 - 18 UNEF	1.187 (30.1)	.844 (21.4)	1.344 (34.1)	.465 (11.8)
20	1 1/4 - 18 UNEF	1.312 (33.3)	.844 (21.4)	1.469 (37.3)	.465 (11.8)
22	1 3/8 - 18 UNEF	1.437 (36.5)	.844 (21.4)	1.594 (40.5)	.465 (11.8)
24	1 1/2 - 18 UNEF	1.562 (39.7)	.844 (21.4)	1.719 (43.7)	.465 (11.8)
28	1 3/4 - 18 UNS	1.812 (46.0)	.844 (21.4)	1.969 (50.0)	.531 (13.5)
32	2 - 18 UNS	2.062 (52.4)	.844 (21.4)	2.219 (56.4)	.531 (13.5)
36	2 1/4 - 16 UN	2.312 (58.7)	.844 (21.4)	2.469 (62.7)	.531 (13.5)
40	2 1/2 - 16 UN	2.562 (65.1)	.844 (21.4)	2.719 (69.1)	.531 (13.5)
44	2 3/4 - 16 UN	2.812 (71.4)	.844 (21.4)	2.969 (75.4)	.531 (13.5)
48	3 - 16 UN	3.062 (77.8)	.844 (21.4)	3.188 (81.0)	.531 (13.5)

Metric dimensions (mm) are in parentheses and are for reference only.

## Dimensional Tables Protective Cover Attachments

**TABLE III**

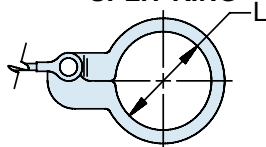
SYM	ATTACHMENT TYPE
D	Bead Chain, CRES, Passivate
F	Wire Rope, Nylon Jacket
G	Nylon Rope
H	Wire Rope, Fluoropolymer Jacket
N	No Attachment
R	Wire Rope, PVC Jacket
S	#8 Sash Chain, CRES, Passivate
T	Wire Rope, No Jacket
U	Wire Rope, Polyurethane Jacket with Terminal



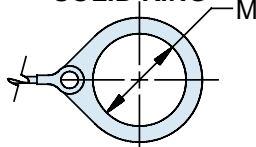
**TABLE IV**

DASH NO	K DIA
	$\pm 0.10$ (0.3)
01	.140 (3.6)
02	.182 (4.6)
03	.191 (4.9)
04	.197 (5.0)
05	.167 (4.2)
06	.125 (3.2)
07	.218 (5.5)
09	.156 (4.0)

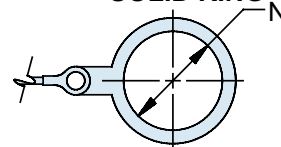
**SPLIT RING**



**SOLID RING**



**SOLID RING**



**TABLE V**

DASH NO	L DIA
	$\pm 0.15$ (0.4)
50	.425 (10.8)
52	.485 (12.3)
54	.640 (16.3)
56	.750 (19.1)
58	.890 (22.6)
60	1.015 (25.8)
62	1.095 (27.8)
64	1.130 (28.7)
66	1.250 (31.8)
68	1.350 (34.3)
70	1.390 (35.3)
72	1.485 (37.7)
74	1.625 (41.3)
76	1.750 (44.5)
78	1.875 (47.6)
80	1.980 (50.3)
82	2.060 (52.3)
84	2.235 (56.8)
86	2.310 (58.7)
88	2.475 (62.9)
90	2.655 (67.4)
92	2.810 (71.4)
94	3.045 (77.3)

**TABLE VI**

DASH NO	M DIA
	$\pm 0.15$ (0.4)
08	.468 (11.9)
10	.593 (15.1)
12	.718 (18.2)
13	.765 (19.4)
14	.844 (21.4)
15	.890 (22.6)
16	.968 (24.6)
17	1.015 (25.8)
18	1.093 (27.8)
19	1.140 (29.0)
20	1.203 (30.6)
21	1.265 (32.1)
22	1.343 (34.1)
23	1.453 (36.9)
24	1.484 (37.7)
25	1.577 (40.1)
27	1.640 (41.7)
28	1.687 (42.8)
29	1.765 (44.8)
30	1.890 (48.0)
31	1.953 (49.6)
32	1.968 (50.0)
33	2.077 (52.8)
35	2.140 (54.4)
36	2.187 (55.5)
40	2.406 (61.1)
44	2.656 (67.5)
48	3.031 (77.0)

**TABLE VII**

DASH NO	N DIA
	$\pm 0.15$ (0.4)
100	.391 (9.9)
101	.516 (13.1)
102	.583 (14.8)
103	.641 (16.3)
104	.708 (18.0)
105	.766 (19.5)
205	.788 (20.0)
106	.896 (22.2)
206	.907 (23.0)
107	1.016 (25.8)
207	1.025 (26.0)
108	1.141 (29.0)
208	1.203 (30.6)
109	1.266 (32.2)
209	1.266 (32.2)
110	1.391 (35.3)
210	1.391 (35.3)
111	1.521 (38.6)
211	1.536 (39.0)
112	1.641 (41.7)
212	1.641 (41.7)
113	1.766 (44.9)
213	1.766 (44.9)
114	1.891 (48.0)
214	1.891 (48.0)
115	2.078 (52.8)
215	2.078 (52.8)
116	2.406 (61.1)
216	2.406 (61.1)
117	2.510 (63.8)
217	2.510 (63.8)

Metric dimensions (mm) are in parentheses and are for reference only.

## X-ON Electronics

Largest Supplier of Electrical and Electronic Components

*Click to view similar products for* [Circular MIL Spec Tools, Hardware & Accessories](#) *category:*

*Click to view products by* [Glenair](#) *manufacturer:*

Other Similar products are found below :

[0113-201-2025](#) [600-079-06](#) [600-146-06](#) [M10-101982-143](#) [M10-101982-163](#) [M10-101983-183](#) [M10-150912-083](#) [M10-454396-008](#)  
[602GB18808](#) [CS3102A-22-14PW](#) [M2887615-CD](#) [627-009](#) [M38999/9-19B](#) [630A007NF083A](#) [630B007M051A](#) [630BJ003NF032H](#) [637-](#)  
[149NF04B](#) [M39029/29-215](#) [6408-203V-09273](#) [6426-201-11343](#) [650FS002NF16](#) [660-008NF14S7-01](#) [660-009M22H8-03](#) [660-013NF19U6-](#)  
[210](#) [660-015M10S6-17](#) [660-015NF10S5-01](#) [660-015NF14R3.5-01](#) [660-023NF19H6-19](#) [660-024NF11S12-01](#) [660-024NF11S3-01](#) [660-](#)  
[024NF17S4-109](#) [660-050XM17F4-01](#) [660-068NF25R6-30G](#) [660-070M23S8-04](#) [660-073MTCH9-20](#) [M83723/61-18W](#) [M83723/61-218R](#)  
[M83723/61-224W](#) [667-084-23C](#) [667-084-35C](#) [667-224NF16](#) [687-697NF-1](#) [M85049/94-10-A](#) [M85049/96-7-A](#) [M855282-10A01A](#)  
[M85528/2-10B](#) [M855282-18A01A](#) [M85528/2-22A01A](#) [M85528/2-22AA](#) [710HS460NF2508](#)