



# Series 803 Mighty Mouse ¼ Turn Bayonet Coupling Protective Cover

660-082 and 660-083 Ordering Information

**Protect Connectors From Damage**  
Machined aluminum covers prevent ingress of contamination and water.

**Stainless Steel Fittings and Rings**  
Choose small diameter eye fittings for panel attachment. Larger rings fit under the jam nut or over cable jackets. Split rings can be installed on fully assembled cables.

**Polyurethane-Coated SST Wire Rope**  
offers high strength, excellent abrasion resistance and good flexibility. Or, choose Fluoropolymer jacket for high temperature exposure.

**Braided Nylon Rope**  
provides excellent flexibility and good abrasion resistance, and can be ordered with slip knot fittings for easy installation on any size cable.



X

How To Order						
<b>Sample Part Number</b>	<b>660-082</b>	<b>-M</b>	<b>S</b>	<b>12</b>	<b>04</b>	<b>-6</b>
<b>Series (See Table I)</b>	<b>660-082</b> = Plug Cover <b>660-083</b> = Receptacle Cover					
<b>Shell Material / Finish</b>	<b>C</b> = Aluminum / Black Anodize (Non-Conductive) RoHS Compliant <b>M</b> = Aluminum / Electroless Nickel RoHS Compliant <b>NF</b> = Aluminum / Cadmium with Olive Drab Chromate <b>ZN</b> = Aluminum / Zinc-Nickel with Olive Drab Chromate <b>UCR</b> = Aluminum / Zinc-Cobalt with Black Chromate RoHS Compliant <b>ZNU</b> = Aluminum / Zinc-Nickel with Black Chromate <b>MT</b> = Aluminum / Nickel-PTFE RoHS Compliant <b>Z1</b> = Stainless Steel / Passivated RoHS Compliant					
<b>Attachment Type</b>	<b>D</b> = Bead Chain, CRES, Passivate <b>F</b> = Wire Rope, Nylon Jacket <b>G</b> = Nylon Rope <b>H</b> = SST Wire Rope, Fluoropolymer Jacket <b>N</b> = No Attachment <b>R</b> = Wire Rope, PVC Jacket <b>S</b> = SST Sash Chain <b>SK</b> = Nylon Rope With Slip Knot <b>T</b> = SST Wire Rope, No Jacket <b>U</b> = SST Wire Rope, Polyurethane Jacket  "SST" = Stainless Steel					
<b>Shell Size</b>	<b>5, 6, 7, 8, 9, 10, 12, 14, 15</b>					
<b>Attachment Code (See Table II)</b>	Small Ring = <b>01</b> thru <b>06</b> Large Ring = <b>14</b> thru <b>33</b> Split Ring = <b>50</b> thru <b>68</b>					
<b>Attachment Length (inches)</b>	Omit for attachment Type N (No Attachment) Example "-6" equals six inch length					

Table I: Cover Style	
<b>660-082</b> Bayonet Plug Cover	<b>660-083</b> Bayonet Receptacle Cover

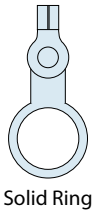
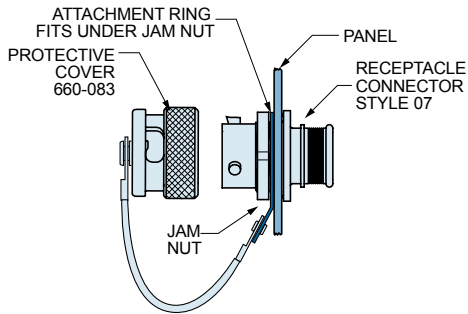
Table II: Attachment Code	
Omit for attachment types N (No Attachment) and SK (Slip Knot)	
	<b>01</b> - .126 (3.20) I.D. <b>02</b> - .145 (3.68) I.D. <b>04</b> - .188 (4.78) I.D. <b>06</b> - .197 (5.00) I.D.
	<b>14</b> - .385 (9.8) <b>15</b> - .445 (11.3) <b>16</b> - .570 (14.5) <b>17</b> - .635 (16.1) <b>18</b> - .695 (17.7) <b>19</b> - .885 (22.5) <b>20</b> - 1.070 (27.2) <b>21</b> - 1.135 (28.8) <b>22</b> - 1.210 (30.7) <b>23</b> - 1.275 (32.4) <b>25</b> - 1.530 (38.9) <b>26</b> - .950 (24.1) <b>27</b> - .766 (19.5) <b>28</b> - 1.015 (25.8) <b>29</b> - .315 (8.0) <b>30</b> - 1.380 (35.1) <b>31</b> - .820 (20.8) <b>32</b> - .265 (6.7) <b>33</b> - .510 (13.0)
	<b>50</b> - .420 (10.67) I.D. <b>52</b> - .480 (12.19) I.D. <b>54</b> - .635 (16.13) I.D. <b>56</b> - .745 (18.92) I.D. <b>58</b> - .885 (22.48) I.D. <b>60</b> - 1.010 (25.65) I.D. <b>64</b> - 1.125 (28.58) I.D. <b>68</b> - 1.345 (34.16) I.D.

Dimensions in Inches (millimeters) are subject to change without notice.

# Series 803 Mighty Mouse 1/4 Turn Bayonet Coupling Protective Cover 660-082 and 660-083 Dimensions



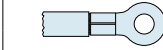
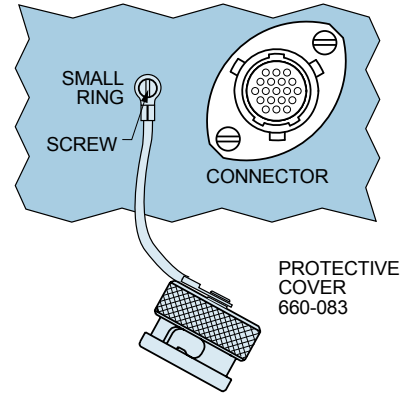
## 660-083 Cover Attachment to RPM Jam Nut Receptacle



Solid Ring

Atch. Code	Shell Size	Ring I.D.		Ring O.D.	
		In.	mm.	In.	mm.
		± .010	±0.25	± .015	± 0.38
14	5	.385	9.78	.51	12.95
15	6	.445	11.30	.57	14.48
16	7	.570	14.48	.69	17.53
17	8, 9	.635	16.13	.76	19.30
27	10	.766	19.46	.89	22.61
19	12	.885	22.48	1.01	25.65
20	14	1.070	27.18	1.20	30.48
21	15	1.135	28.83	1.25	31.75

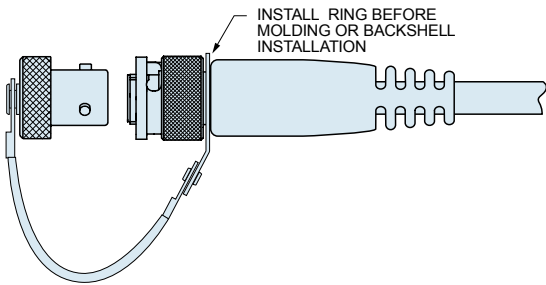
## 660-083 Cover Attachment to Panel



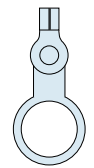
Small Ring for Attaching Receptacle Covers to a Panel with a Screw

Atch. Code	Screw Size	Ring I.D.		Ring O.D.	
		In.	mm.	In.	mm.
		±.005	±0.13	Max.	Max.
01	#4, M3	.126	3.20	.31	7.9
02	#6	.145	3.68	.31	7.9
04	#8, M4	.188	4.78	.31	7.9
06	#10	.197	5.00	.31	7.9

## 660-082 & 083 Cover Attachment to Cable Assembly



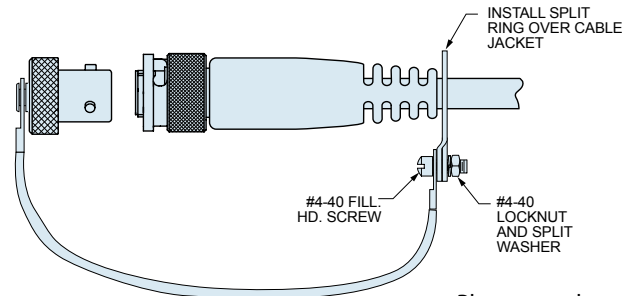
Plug cover shown



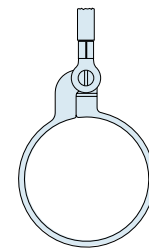
Solid Ring

Atch. Code	Shell Size	Ring I.D.		Ring O.D.	
		In.	mm.	In.	mm.
		± .010	±0.25	± .015	± 0.38
29	5	.315	8.00	.44	11.18
14	6	.315	8.00	.44	11.18
33	7, 8	.510	12.95	.62	15.75
16	9	.570	14.48	.69	17.53
17	10	.635	16.13	.76	19.30
18	12	.695	17.65	.82	20.83
26	14, 15	.950	24.13	1.14	28.96

## 660-082 & 083 Cover Attachment to Cable



Plug cover shown



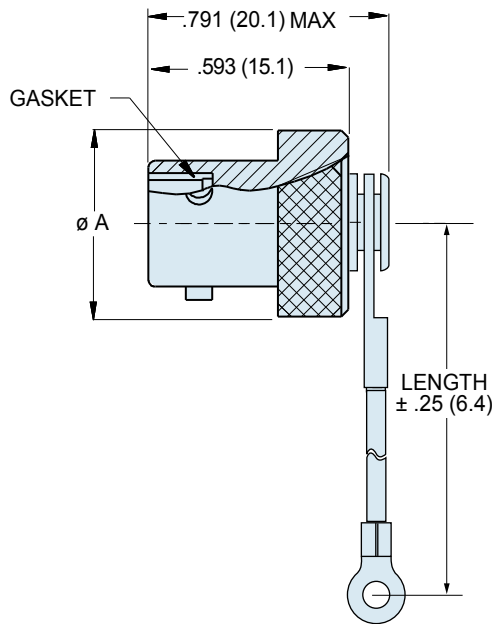
Large Split Ring for Attaching Covers to Cables

Atch. Code	Max. Cable Dia. (in.)	Ring Diameter			
		Min. ID		Max. OD	
		In.	mm.	In.	mm.
50	.410	.420	10.67	.580	14.73
52	.470	.480	12.19	.640	16.26
54	.625	.635	16.13	.796	20.22
56	.735	.745	18.92	.905	22.99
58	.875	.885	22.48	1.046	26.57
60	1.000	1.010	25.65	1.171	29.74
64	1.115	1.125	28.58	1.285	32.64
68	1.335	1.345	34.16	1.505	38.23

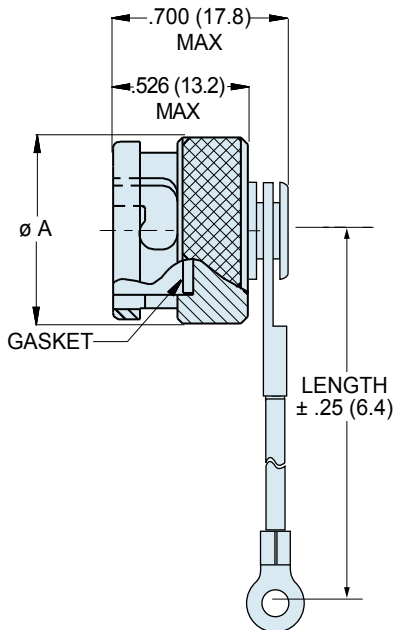
Dimensions in Inches (millimeters) are subject to change without notice.



# Series 803 Mighty Mouse 1/4 Turn Bayonet Coupling Protective Cover 660-082 and 660-083 Dimensions



**Plug Cover**  
660-082



**Receptacle Cover**  
660-083

Dimensions		
Shell Size	Ø A Max.	
	In.	mm.
5	.620	15.7
6	.620	15.7
7	.620	15.7
8	.690	17.5
9	.760	19.3
10	.850	21.6
12	.940	23.8
14	1.170	29.7
15	1.170	29.7

### Lanyard Options

Nylon Rope (G)	-65° to +100°C., black, very flexible, very good abrasion resistance, good resistance to fuels, .120" (3mm) diameter
Polyurethane Coated Wire Rope (U)	Black polyurethane over stainless steel rope, -65° to +125°C., very flexible, excellent abrasion resistance, excellent resistance to fuels, .080" (2mm) diameter
Fluoropolymer Jacketed Wire Rope (H)	Translucent FEP jacket over stainless steel, -65° to +200°C., fair flexibility, good abrasion resistance, .100" diameter
Sash Chain (S)	Stainless steel, #8 chain, .240" (6mm)
Slip Knot (SK) for Attaching Covers to Cable	65° to +100°C., black, very flexible, very good abrasion resistance, good resistance to fuels, .120" (3mm) diameter. Length includes .5" (13mm) diameter loop.

### NOTES

#### Materials and Finishes

- Cover: aluminum alloy or stainless steel
- Gasket: fluorosilicone rubber
- Wire, hardware: stainless steel, passivated

Dimensions in Inches (millimeters) are subject to change without notice.

## X-ON Electronics

Largest Supplier of Electrical and Electronic Components

*Click to view similar products for* [Circular MIL Spec Tools, Hardware & Accessories](#) *category:*

*Click to view products by* [Glenair](#) *manufacturer:*

Other Similar products are found below :

[0113-201-2025](#) [600-079-06](#) [600-146-06](#) [M10-101982-143](#) [M10-101982-163](#) [M10-101983-183](#) [M10-150912-083](#) [M10-454396-008](#)  
[602GB18808](#) [CS3102A-22-14PW](#) [M2887615-CD](#) [627-009](#) [M38999/9-19B](#) [630A007NF083A](#) [630B007M051A](#) [630BJ003NF032H](#) [637-](#)  
[149NF04B](#) [M39029/29-215](#) [6408-203V-09273](#) [6426-201-11343](#) [650FS002NF16](#) [660-008NF14S7-01](#) [660-009M22H8-03](#) [660-013NF19U6-](#)  
[210](#) [660-015M10S6-17](#) [660-015NF10S5-01](#) [660-015NF14R3.5-01](#) [660-023NF19H6-19](#) [660-024NF11S12-01](#) [660-024NF11S3-01](#) [660-](#)  
[024NF17S4-109](#) [660-050XM17F4-01](#) [660-068NF25R6-30G](#) [660-070M23S8-04](#) [660-073MTCH9-20](#) [M83723/61-18W](#) [M83723/61-218R](#)  
[M83723/61-224W](#) [667-084-23C](#) [667-084-35C](#) [667-224NF16](#) [687-697NF-1](#) [M85049/94-10-A](#) [M85049/96-7-A](#) [M855282-10A01A](#)  
[M85528/2-10B](#) [M855282-18A01A](#) [M85528/2-22A01A](#) [M85528/2-22AA](#) [710HS460NF2508](#)