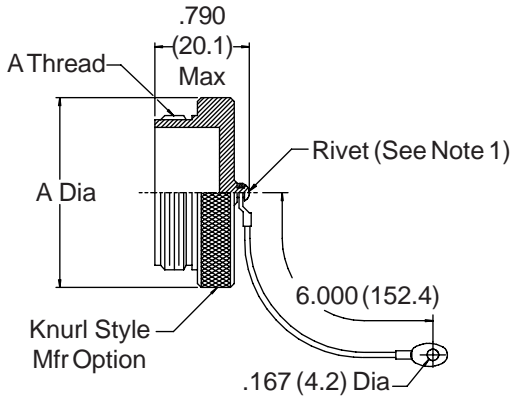


**667-009 Plug and 667-010 Receptacle
Protective Covers - Composite
For Glenair 257-007 Connectors**

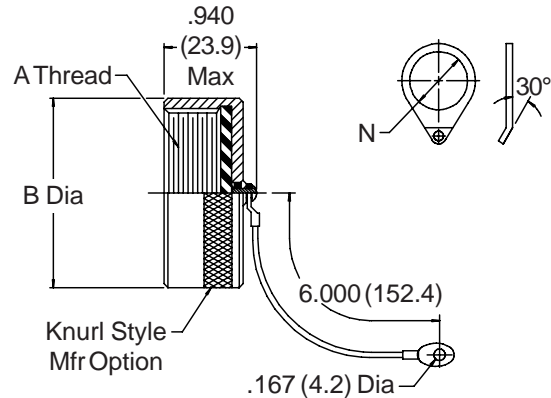


667-009 PLUG COVER



Product Series **667-009-14**
Shell Size (Table I)

667-010 RECEPTACLE COVER



Product Series No. **667-010-14-03**
Shell Size (Table I)
Attachment Ring (Table III)
Omit for Standard
Lug Termination

TABLE I

SHELL SIZE	A MAX	B MAX	A THREAD CLASS 2A
10	1.031 (26.2)	.820 (20.8)	.625 - .1P - .1L
12	1.125 (28.6)	.940 (23.9)	.750 - .1P - .1L
14	1.219 (31.0)	1.060 (26.9)	.875 - .1P - .1L
16	1.312 (33.3)	1.190 (30.2)	1.000 - .1P - .1L
18	1.406 (35.7)	1.320 (33.5)	1.125 - .1P - .1L
20	1.531 (38.9)	1.440 (36.6)	1.250 - .1P - .1L
22	1.645 (41.8)	-	1.375 - .1P - .1L
24	1.781 (45.2)	1.690 (42.9)	1.500 - .1P - .1L
28	2.031 (51.6)	1.940 (49.3)	1.750 - .1P - .1L

TABLE II

DASH NO.	SHELL SIZE	N DIA
01	10	.765 (19.4)
02	12	.890 (22.6)
03	14	1.015 (25.8)
04	16	1.140 (29.0)
05	18	1.265 (32.1)
06	20	1.577 (40.1)
08	22	-
10	24	1.765 (44.8)
13	28	2.077 (52.8)

Notes:

1. Metric dimensions (mm) are indicated in parentheses.
2. Rivet to be ultrasonically or chemically welded to cover.
3. Plug cover mates with Glenair 257-007 and 190-015 Connectors; Receptacle cover mates with 257-007-2, 190-016 and 190-019 Connectors.
4. Attachment is Wire Rope, Heavy Duty, Cres/Passivated with black polyurethane jacketing.
5. Material/Finish: Cover and Rivet - Ultem

X-ON Electronics

Largest Supplier of Electrical and Electronic Components

Click to view similar products for [Circular MIL Spec Tools, Hardware & Accessories](#) *category:*

Click to view products by [Glenair](#) *manufacturer:*

Other Similar products are found below :

[0113-201-2025](#) [600-079-06](#) [600-146-06](#) [M10-101983-183](#) [M10-454396-008](#) [602GB18808](#) [CS3102A-22-14PW](#) [M2887615-CD](#) [627-009](#)
[M38999/9-19B](#) [630A007NF083A](#) [630B007M051A](#) [630BJ003NF032H](#) [637-149NF04B](#) [M39029/29-215](#) [6408-203V-09273](#) [6426-201-11343](#)
[650FS002NF16](#) [660-008NF14S7-01](#) [660-009M22H8-03](#) [660-013NF19U6-210](#) [660-015M10S6-17](#) [660-015NF10S5-01](#) [660-015NF14R3.5-01](#)
[660-023NF19H6-19](#) [660-024NF11S12-01](#) [660-024NF11S3-01](#) [660-024NF17S4-109](#) [660-050XM17F4-01](#) [660-068NF25R6-30G](#) [660-](#)
[070M23S8-04](#) [660-073MTCH9-20](#) [M83723/61-18W](#) [M83723/61-218R](#) [M83723/61-224W](#) [667-084-23C](#) [667-084-35C](#) [667-224NF16](#) [687-](#)
[697NF-1](#) [M85049/94-10-A](#) [M85049/96-7-A](#) [M855282-10A01A](#) [M85528/2-10B](#) [M855282-18A01A](#) [M85528/2-22A01A](#) [M85528/2-22AA](#)
[710HS460NF2508](#) [780-001-22G12-SK](#) [780-002-19G12-SK](#) [780-002-20G12SK](#)