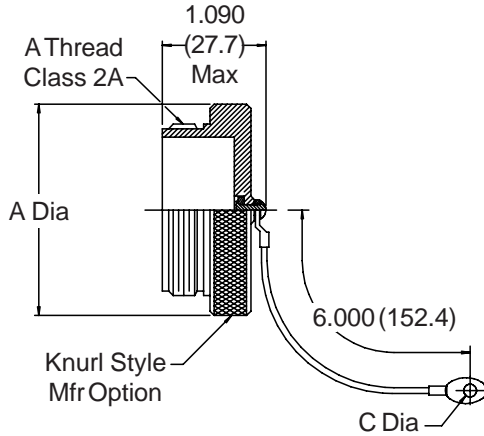


**667-011 PLUG COVER**

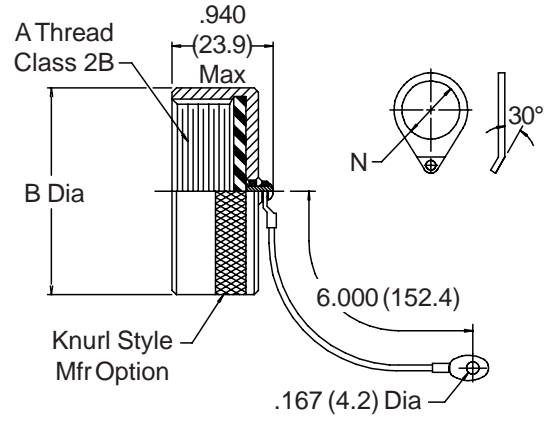


Product Series **667-011 - 14 - 04**

Shell Size (Table I)

Attachment Dash No.  
No Dash Required for  
Standard .167 (4.2) Dia.

**667-012 RECEPTACLE COVER**



Product Series **667-012 - 14 - 02**

Shell Size (Table I)

Attachment Ring (Table II)  
Omit for Standard Lug  
Termination or N = No  
Attachment

**TABLE I**

SHELL SIZE	A MAX	B MAX	ATHREAD CLASS 2A & 2B
10	1.031 (26.2)	.820 (20.8)	5/8 - 24 UNEF
12	1.125 (28.6)	.940 (23.9)	3.4 - 20 UNEF
14	1.219 (31.0)	1.060 (26.9)	7/8 - 20 UNEF
16	1.312 (33.3)	1.190 (30.2)	1 - 20 UNEF
18	1.406 (35.7)	1.320 (33.5)	1 1/8 - 18 UNEF
20	1.553 (39.4)	1.440 (36.6)	1 1/4 - 18 UNEF
24	1.781 (45.2)	1.690 (42.9)	1 1/2 - 18 UNEF
28	2.031 (51.6)	<b>1.940 (49.3)</b>	1 3/4 - 18 UNEF
32	2.281 (57.9)	2.190 (55.6)	2 - 18 UNS
36	2.553 (64.8)	2.440 (62.0)	2 1/4 - 16 UN
40	2.781 (70.6)	2.630 (66.8)	2 1/2 - 16 UN

**TABLE II**

DASH NO.	SHELL SIZE	C DIA	D DIA
01	10 & 12	.140 (3.6)	.765 (19.4)
02	14	.182 (4.6)	.890 (22.6)
03	16	.191 (4.9)	1.015 (25.8)
04	18	.197 (5.0)	1.140 (29.0)
06	20	.125 (3.2)	1.265 (32.1)
08	24	—	1.577 (40.1)
10	28	—	1.765 (44.8)
Std		.167 (4.2)	.167 (4.2)
N	No Attachment		—

**Notes:**

1. Metric dimensions (mm) are indicated in parentheses.
2. Rivet to be ultrasonically or chemically welded to cover.
3. Attachment is Wire Rope, Heavy Duty, Cres/Passivated with black polyurethane jacketing.

## X-ON Electronics

Largest Supplier of Electrical and Electronic Components

*Click to view similar products for* [Circular MIL Spec Tools, Hardware & Accessories](#) *category:*

*Click to view products by* [Glenair](#) *manufacturer:*

Other Similar products are found below :

[0113-201-2025](#) [600-079-06](#) [600-146-06](#) [M10-101982-143](#) [M10-101982-163](#) [M10-101983-183](#) [M10-150912-083](#) [M10-454396-008](#)  
[602GB18808](#) [CS3102A-22-14PW](#) [M2887615-CD](#) [627-009](#) [M38999/9-19B](#) [630A007NF083A](#) [630B007M051A](#) [630BJ003NF032H](#) [637-](#)  
[149NF04B](#) [M39029/29-215](#) [6408-203V-09273](#) [6426-201-11343](#) [650FS002NF16](#) [660-008NF14S7-01](#) [660-009M22H8-03](#) [660-013NF19U6-](#)  
[210](#) [660-015M10S6-17](#) [660-015NF10S5-01](#) [660-015NF14R3.5-01](#) [660-023NF19H6-19](#) [660-024NF11S12-01](#) [660-024NF11S3-01](#) [660-](#)  
[024NF17S4-109](#) [660-050XM17F4-01](#) [660-068NF25R6-30G](#) [660-070M23S8-04](#) [660-073MTCH9-20](#) [M83723/61-18W](#) [M83723/61-218R](#)  
[M83723/61-224W](#) [667-084-23C](#) [667-084-35C](#) [667-224NF16](#) [687-697NF-1](#) [M85049/94-10-A](#) [M85049/96-7-A](#) [M855282-10A01A](#)  
[M85528/2-10B](#) [M855282-18A01A](#) [M85528/2-22A01A](#) [M85528/2-22AA](#) [710HS460NF2508](#)