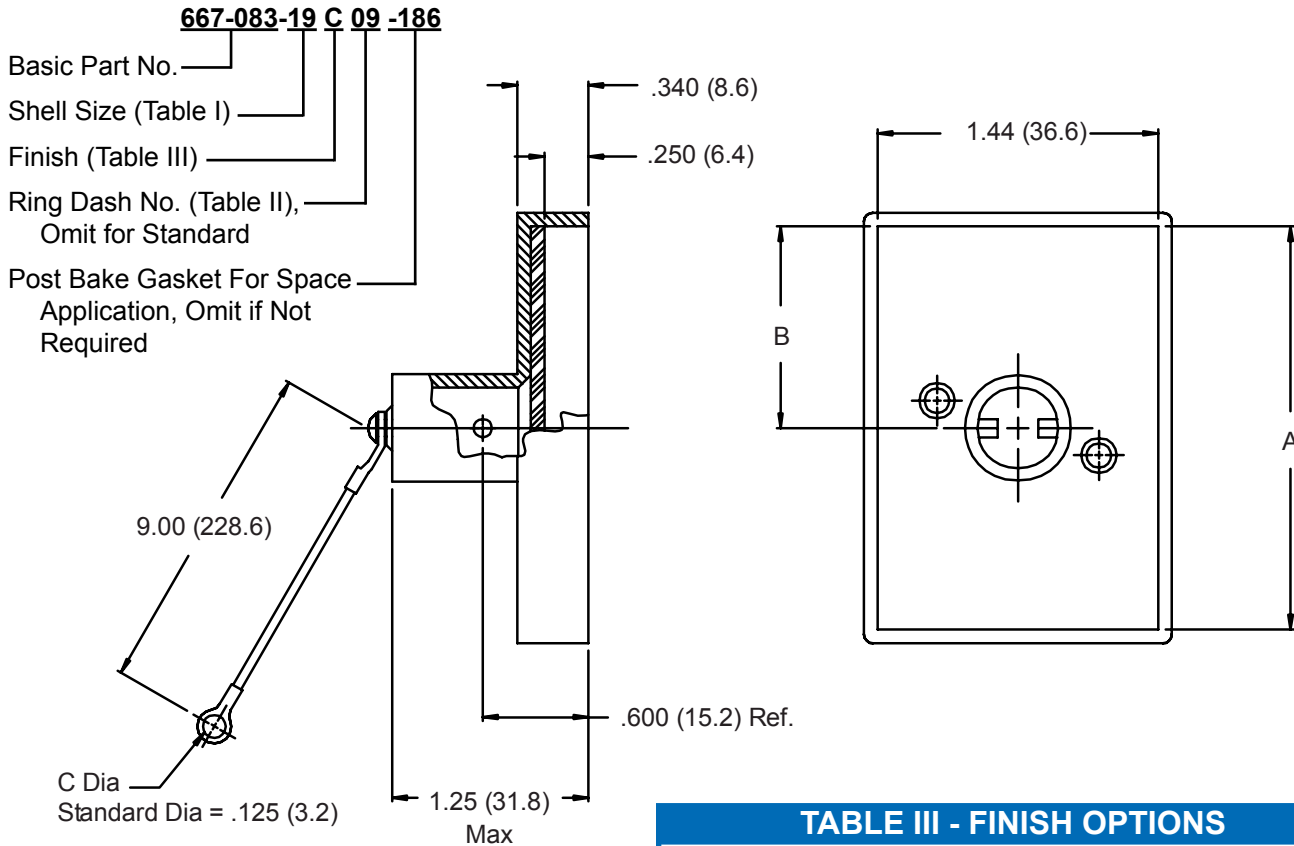


667-083 Protective Cover for Hypertronics NPB Y Connectors


TABLE I: SHELL SIZE & CONNECTOR INTERFACE

Shell Size	Mating Connector	A	B
11	NPBY11/	1.826 (46.4)	.913 (23.2)
15	NPBY15/	2.226 (56.5)	1.113 (28.3)
19	NPBY19/	2.626 (66.7)	1.313 (33.4)
23	NPBY23/	3.026 (76.9)	1.513 (38.4)
27	NPBY27/	3.426 (87.0)	1.713 (43.5)
31	NPBY31/	3.826 (97.2)	1.913 (48.6)
35	NPBY35/	4.226 (107.3)	2.113 (53.7)
45	NPBY45/	5.226 (132.7)	2.613 (66.4)
52	NPBY52/	5.926 (150.5)	2.963 (75.3)

TABLE III - FINISH OPTIONS

Symbol	Finish
B	Cadmium Plate, Olive Drab
C	Black Anodize
J	Iridite, Gold Over Cadmium Plate over Nickel
M	Electroless Nickel
N	Cadmium Plate, Olive Drab, Over Nickel
NF	Cadmium Plate, Olive Drab, Over Electroless Nickel (1000 Hour Salt Spray)
T	Cadmium Plate, Bright Dip Over Nickel (500 Hour Salt Spray)

**CONSULT FACTORY FOR
OTHER AVAILABLE FINISHES**

TABLE II

Dash No.	C Dia
01	.140 (3.6)
02	.182 (4.6)
03	.191 (4.9)
04	.197 (5.0)
05	.167 (4.2)
07	.218 (5.5)
09	.156 (4.0)

1. Metric dimensions (mm) are indicated in parentheses.
2. Material/Finish:
 Cover and Knob = Al Alloy/
 Table III
 Hardware = SST/Passivate
 Rope Covering =
 Fluoropolymer/N.A.
 Gasket = Silicone/N.A.

X-ON Electronics

Largest Supplier of Electrical and Electronic Components

Click to view similar products for [Circular MIL Spec Tools, Hardware & Accessories](#) *category:*

Click to view products by [Glenair](#) *manufacturer:*

Other Similar products are found below :

[0113-201-2025](#) [600-079-06](#) [600-146-06](#) [M10-101983-183](#) [M10-454396-008](#) [602GB18808](#) [CS3102A-22-14PW](#) [M2887615-CD](#) [627-009](#)
[M38999/9-19B](#) [630A007NF083A](#) [630B007M051A](#) [630BJ003NF032H](#) [637-149NF04B](#) [M39029/29-215](#) [6408-203V-09273](#) [6426-201-11343](#)
[650FS002NF16](#) [660-008NF14S7-01](#) [660-009M22H8-03](#) [660-013NF19U6-210](#) [660-015M10S6-17](#) [660-015NF10S5-01](#) [660-015NF14R3.5-01](#)
[660-023NF19H6-19](#) [660-024NF11S12-01](#) [660-024NF11S3-01](#) [660-024NF17S4-109](#) [660-050XM17F4-01](#) [660-068NF25R6-30G](#) [660-](#)
[070M23S8-04](#) [660-073MTCH9-20](#) [M83723/61-18W](#) [M83723/61-218R](#) [M83723/61-224W](#) [667-084-23C](#) [667-084-35C](#) [667-224NF16](#) [687-](#)
[697NF-1](#) [M85049/94-10-A](#) [M85049/96-7-A](#) [M855282-10A01A](#) [M85528/2-10B](#) [M855282-18A01A](#) [M85528/2-22A01A](#) [M85528/2-22AA](#)
[710HS460NF2508](#) [780-001-22G12-SK](#) [780-002-19G12-SK](#) [780-002-20G12SK](#)