

667-084 Protective Cover for Hypertronics NPJY Connectors



Hypertronics

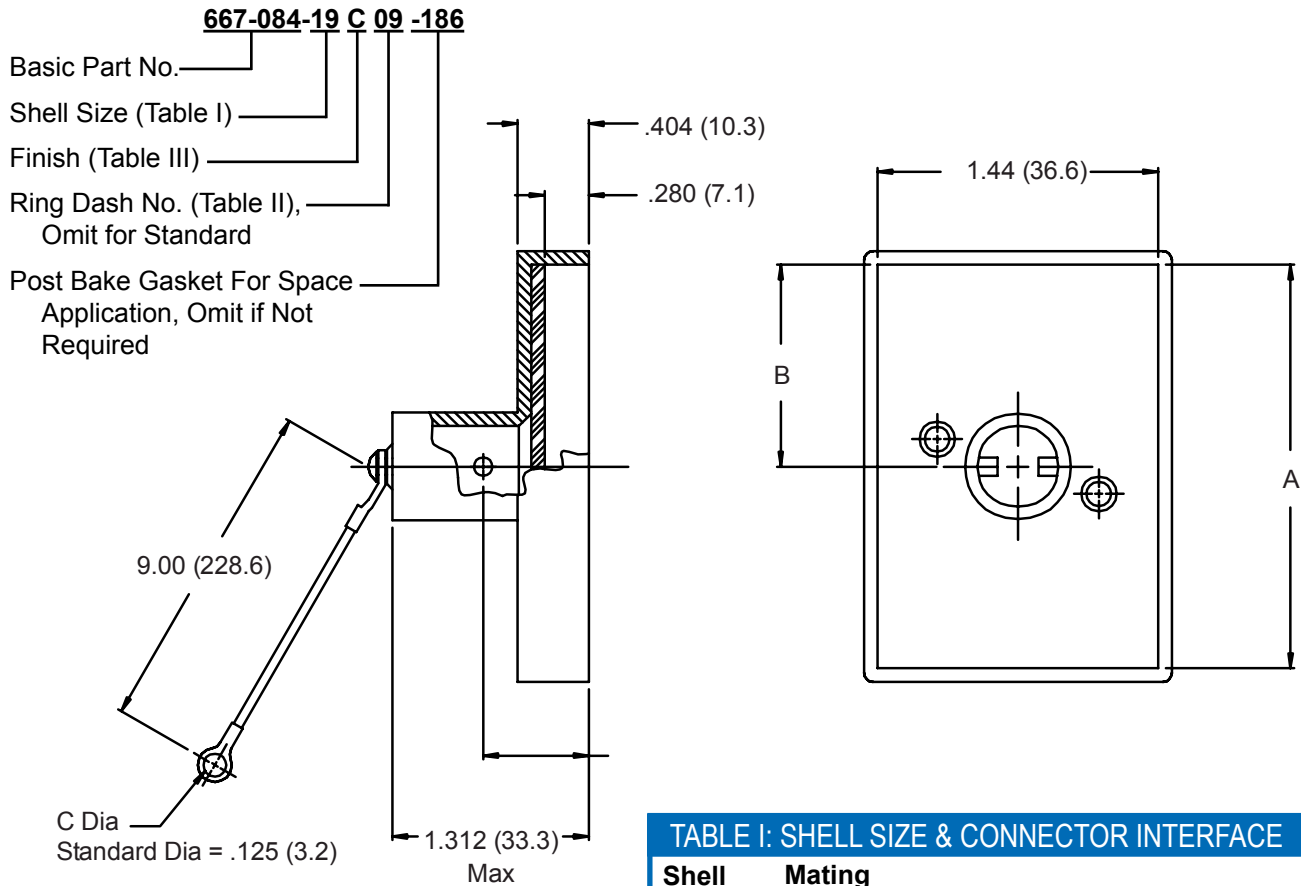


TABLE II: RING

Dash No.	C Dia
01	.140 (3.6)
02	.182 (4.6)
03	.191 (4.9)
04	.197 (5.0)
05	.167 (4.2)
07	.218 (5.5)
09	.156 (4.0)

TABLE I: SHELL SIZE & CONNECTOR INTERFACE

Shell Size	Mating Connector	A	B
11	NPJY11/	2.037 (51.7)	.913 (23.2)
15	NPJY15/	2.430 (61.7)	1.113 (28.3)
19	NPJY19/	2.830 (71.9)	1.313 (33.4)
23	NPJY23/	3.231 (82.1)	1.513 (38.4)
27	NPJY27/	3.631 (92.2)	1.713 (43.5)
31	NPJY31/	4.037 (102.5)	1.913 (48.6)
35	NPJY35/	4.430 (112.5)	2.113 (53.7)
45	NPJY45/	5.431 (137.9)	2.603 (66.1)

TABLE III - FINISH OPTIONS

Symbol	Finish
B	Cadmium Plate, Olive Drab
C	Black Anodize
J	Iridite, Gold Over Cadmium Plate over Nickel
M	Electroless Nickel
N	Cadmium Plate, Olive Drab, Over Nickel
NF	Cadmium Plate, Olive Drab, Over Electroless Nickel (1000 Hour Salt Spray)
T	Cadmium Plate, Bright Dip Over Nickel (500 Hour Salt Spray)

**CONSULT FACTORY FOR
OTHER AVAILABLE FINISHES**

- Metric dimensions (mm) are indicated in parentheses.
- Material/Finish:
 Cover and Knob = Al Alloy/
 Table III
 Hardware = SST/Passivate
 Rope Covering =
 Fluoropolymer/N.A.
 Gasket = Silicone/N.A.

X-ON Electronics

Largest Supplier of Electrical and Electronic Components

Click to view similar products for [Circular MIL Spec Strain Reliefs & Adapters](#) category:

Click to view products by [Glenair](#) manufacturer:

Other Similar products are found below :

[896227-000](#) [899170S004](#) [6000-063-0022](#) [613751-000](#) [CS6624-000](#) [620AB038Z136](#) [620AS001Z108](#) [620AS038Z112](#) [620AS038Z120](#)
[620AS038Z132](#) [620FB038NF08](#) [620HA038NF13](#) [620HA038NF25](#) [620HA042XM13](#) [620HB049NF17](#) [620HS011NF21](#) [620HS038NF11](#)
[620HS038Z121](#) [620HS042XM19](#) [620HS042XM25](#) [620HS042XW13](#) [620HS048B17](#) [620MS064NF09](#) [620MS064NF12](#) [620MS065M12](#)
[620MS065Z107](#) [620MS065ZNU06](#) [630J041M06H](#) [630J041M20H](#) [637S010NF0212H](#) [640830-000](#) [659943-000](#) [66241-10A](#) [CW0597-000](#)
[CW0598-000](#) [CW0948-000](#) [CY0122-000](#) [M85049/41-6A W/B](#) [M85049/42-12DS](#) [M85049/47N8](#) [M85049/47W18](#) [M85049/51-1-14S](#)
[M85049/51-1-8W](#) [M85049/51S16S](#) [M85049/60-1N16](#) [M85049/60-2G12W](#) [M85049/69-11N](#) [CZ3661-000](#) [D02922-000](#) [70.360.1628.0](#)