



RJ45 AND USB 2.0

Contacts, Tools, and Accessories



667-202 Receptacle Metal Protective Cover for Mighty Mouse Series 804 connectors

Series 80 Mighty Mouse

Protect Connectors From Damage

Machined aluminum covers prevent ingress of contamination and water.

Stainless Steel Fittings and Rings

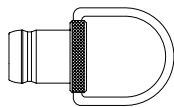
Choose small diameter eye fittings for panel attachment. Larger rings fit under the jam nut or over cable jackets. Split rings can be installed on fully assembled cables.

Polyurethane-Coated SST Wire Rope offers high strength, excellent abrasion resistance and good flexibility. Or, choose Fluoropolymer[®] jacket for high temperature exposure.

Braided Nylon Rope provides excellent flexibility and good abrasion resistance, and can be ordered with slip knot fittings for easy installation on any size cable.

How To Order	
Sample Part Number	667-202 M 8 H 6 -14 R
Series (See Table I)	667-202 = Receptacle Cover (see note 1)
Shell Material / Finish	M = Aluminum/Electroless Nickel RoHS Compliant NF = Aluminum/Cadmium with Olive Drab Chromate ZNU = Aluminum/Zinc-Nickel with Black Chromate MT = Aluminum/Nickel-PTFE RoHS Compliant Z1 = Stainless Steel/Passivated RoHS Compliant
Shell Size	8, 10, 14, 15, 16
Attachment Type	D = Bead Chain, CRES, Passivate G = Nylon Rope N = No Attachment S = SST Sash Chain T = SST Wire Rope, No Jacket "SST" = Stainless Steel F = Wire Rope, Nylon Jacket H = SST Wire Rope, Fluoropolymer Jacket R = Wire Rope, PVC Jacket SK = Nylon Rope With Slip Knot U = SST Wire Rope, Polyurethane Jacket
Attachment Length (inches)	Omit for attachment Type N (No Attachment) Example: "-6" equals six inch length
Attachment Code (See Table II)	Small Ring = 01 thru 06 Large Ring = 28 thru 30
Pull Ring Option	R = Supplied with Pull Ring (Omit for none)

Table I: Cover Style



667-202

Push Pull Receptacle Cover with Pull Ring

NOTES

- For plug covers contact factory
- Material and Finish
 - Cover: Aluminum alloy or stainless steel
 - Hardware: Stainless steel, passivate

M

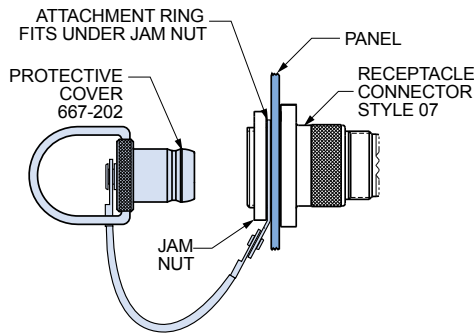


RJ45 AND USB 2.0 Contacts, Tools, and Accessories



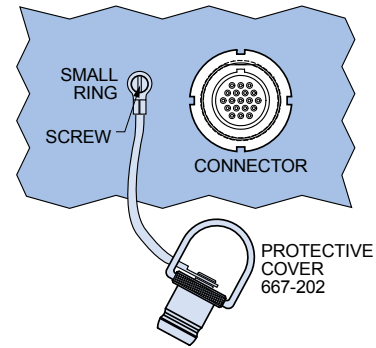
667-202 Receptacle Metal Protective Cover for Mighty Mouse Series 804 Connectors

667-202 Cover Attachment to RPM Jam Nut Receptacle

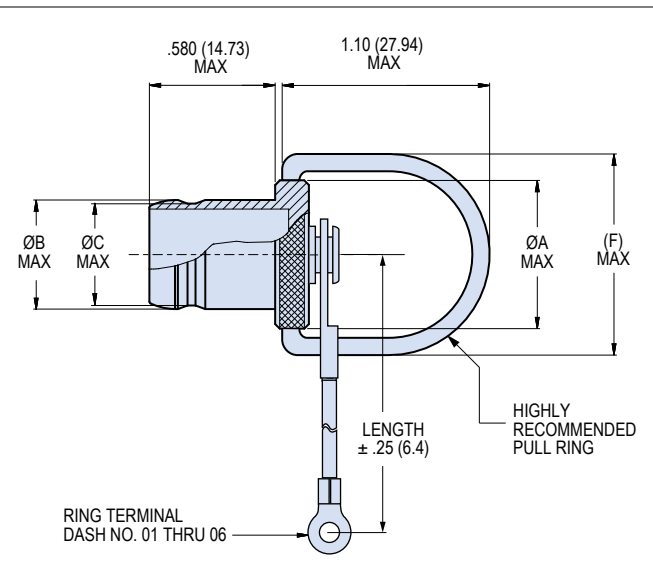


Large Ring	Dia. Code	Shell Size	Ring I.D.		Ring O.D.	
			In.	mm.	In.	mm.
			± .010	±0.25	± .015	± 0.38
28	14, 15	1.015	25.78	1.20	30.48	
21	14, 15	1.135	28.8	1.25	31.8	
30	16	1.380	35.1	1.48	37.6	

667-202 Cover Attachment to Panel



Small Ring for Attaching Receptacle Covers to a Panel with a Screw	Dia. Code	Screw Size	Ring I.D.		Ring O.D.	
			In.	mm.	In.	mm.
			±.005	±0.13	Max.	Max.
01	#4, M3	.126	3.20	.31	7.9	
02	#6	.145	3.68	.31	7.9	
04	#8, M4	.188	4.78	.31	7.9	
06	#10	.197	5.00	.31	7.9	



Dimensions								
Shell Size	Ø A Max.		Ø B		Ø C		(F) Max	
	In	mm	In	mm	In	mm	In	mm
8	.614	15.60	.414	10.52	.383	9.73	.87	22.10
10	.773	19.63	.548	13.92	.513	13.03	1.03	26.16
14	.980	24.89	.781	19.84	.749	19.02	1.23	31.24
15	1.045	26.54	.843	21.41	.811	20.60	1.30	33.02
16	Contact Factory							

Lanyard Options

	-65° to +100°C., black, very flexible, very good abrasion resistance, good resistance to fuels, .120" (3mm) diameter
	Black polyurethane over stainless steel rope, -65° to +125°C., very flexible, excellent abrasion resistance, excellent resistance to fuels, .080" (2mm) diameter
	Translucent FEP jacket over stainless steel, -65° to +200°C., fair flexibility, good abrasion resistance, .100" diameter
	Stainless steel, #8 chain, .240" (6mm)
	65° to +100°C., black, very flexible, very good abrasion resistance, good resistance to fuels, .120" (3mm) diameter. Length includes .5" (13mm) diameter loop.

X-ON Electronics

Largest Supplier of Electrical and Electronic Components

Click to view similar products for [Circular MIL Spec Tools, Hardware & Accessories](#) *category:*

Click to view products by [Glenair](#) *manufacturer:*

Other Similar products are found below :

[0113-201-2025](#) [600-079-06](#) [600-146-06](#) [M10-101983-183](#) [M10-454396-008](#) [602GB18808](#) [CS3102A-22-14PW](#) [M2887615-CD](#) [627-009](#)
[M38999/9-19B](#) [630A007NF083A](#) [630B007M051A](#) [630BJ003NF032H](#) [637-149NF04B](#) [M39029/29-215](#) [6408-203V-09273](#) [6426-201-11343](#)
[650FS002NF16](#) [660-008NF14S7-01](#) [660-009M22H8-03](#) [660-013NF19U6-210](#) [660-015M10S6-17](#) [660-015NF10S5-01](#) [660-015NF14R3.5-01](#)
[660-023NF19H6-19](#) [660-024NF11S12-01](#) [660-024NF11S3-01](#) [660-024NF17S4-109](#) [660-050XM17F4-01](#) [660-068NF25R6-30G](#) [660-](#)
[070M23S8-04](#) [660-073MTCH9-20](#) [M83723/61-18W](#) [M83723/61-218R](#) [M83723/61-224W](#) [667-084-23C](#) [667-084-35C](#) [667-224NF16](#) [687-](#)
[697NF-1](#) [M85049/94-10-A](#) [M85049/96-7-A](#) [M855282-10A01A](#) [M85528/2-10B](#) [M855282-18A01A](#) [M85528/2-22A01A](#) [M85528/2-22AA](#)
[710HS460NF2508](#) [780-001-22G12-SK](#) [780-002-19G12-SK](#) [780-002-20G12SK](#)