



Series 802 AquaMouse™ Submersible 3500 PSI Protective Cover

667-241 and 667-242 Ordering Information



Protect Connectors From Damage – These covers prevent ingress of water and contamination. Stainless steel plug covers feature Viton® O-rings for 3500 PSI sealing. Receptacle covers have a Viton® gasket and are made from marine bronze to minimize galling. For low-pressure IP68 receptacle sealing only, use part number 660-088.

Polyurethane-Coated SST Wire Rope offers high strength, excellent abrasion resistance and good flexibility. Or, choose Fluoropolymer jacket for high temperature exposure.

Braided Nylon Rope provides excellent flexibility and good abrasion resistance, and can be ordered with slip knot fittings for easy installation on any size cable.

X

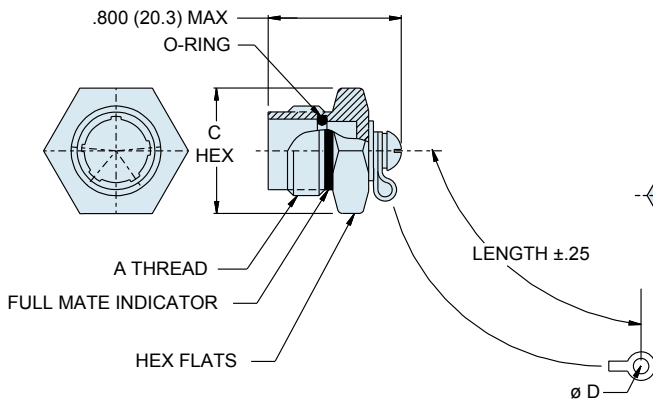
How To Order	
Sample Part Number	667-241 -S 6 03 -6
Series (See Table I)	667-241 = Plug Cover 667-242 = Receptacle Cover
Attachment Type	-D = Bead Chain, Cres., Passivate -F = Wire Rope, Nylon Jacket -G = Nylon Rope -H = SST Wire Rope, Fluoropolymer Jacket -N = No Attachment -R = Wire Rope, PVC Jacket -S = SST Sash Chain -T = SST Wire Rope, No Jacket -U = SST Wire Rope, Polyurethane Jacket "SST" = Stainless Steel
Shell Size	5, 6, 7, 8, 9, 10, 12, 14, 15, 21
Attachment Code (See Table II)	Small Ring = 01 thru 06 Solid Ring = 14 thru 33
Attachment Length (inches)	Omit for attachment Type N (No Attachment) Example "-6" equals six inch length

Table I: Cover Style	
667-241 High Pressure Plug Cover	667-242 High Pressure Receptacle Cover

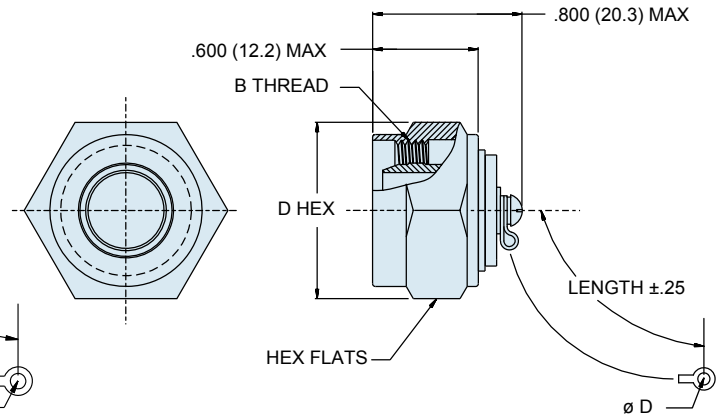
Table II: Attachment Code	
Omit for attachment Type N (No Attachment)	
 Small Ring	01 – .125 (3.2) I.D. 02 – .140 (3.6) I.D. 04 – .182 (4.6) I.D. 06 – .197 (5.0) I.D.
 Solid Ring	14 – .385 (9.8) I.D. 15 – .445 (11.3) I.D. 16 – .570 (14.5) I.D. 17 – .635 (16.1) I.D. 18 – .695 (17.7) I.D. 19 – .885 (22.5) I.D. 20 – 1.070 (27.2) I.D. 21 – 1.135 (28.8) I.D. 22 – 1.210 (30.7) I.D. 23 – 1.275 (32.4) I.D. 24 – 1.530 (38.9) I.D. 26 – .510 (13.0) I.D. 27 – .766 (19.5) I.D. 28 – 1.015 (25.8) I.D. 29 – .315 (8.0) I.D. 30 – 1.380 (35.1) I.D. 31 – .820 (20.8) I.D. 32 – .265 (6.7) I.D. 33 – .510 (13.0) I.D.

Dimensions in Inches (millimeters) are subject to change without notice.

Series 802 AquaMouse™ Submersible 3500 PSI Protective Cover 667-241 and 667-242 Dimensions



667-241 High-Pressure Plug Cover



667-242 High-Pressure Receptacle Cover





667-241 (Plug Cover) Dimensions

Attachment Code	Shell Size	A Thread	C Hex.	
			In.	mm.
32	5	.4375-28 UNEF-2A	.500	12.70
14	6	.5625-20 UN-2A	.625	15.88
33	7	.6250-20 UN-2A	.688	17.48
16	8	.6875-20 UN-2A	.750	19.05
17	9	.7500-20 UNEF-2A	.812	20.62
17	10	.8125-20 UNEF-2A	.875	22.23
18	12	.8750-20 UNEF-2A	.938	23.83
19	14	1.0625-20 UN-2A	1.125	28.58
26	15	1.1250-20 UN-2A	1.188	30.18
23	21	1.4375-20 UN-2A	1.562	39.67

667-242 (Receptacle Cover) Dimensions

Attachment Code	Shell Size	B Thread	D Hex	
			In.	mm.
33	5	.4375-28 UNEF-2B	.500	12.70
17	6	.5625-20 UN-2B	.625	15.88
18	7	.6250-20 UN-2B	.688	17.48
27	8	.6875-20 UN-2B	.750	19.05
31	9	.7500-20 UNEF-2B	.812	20.62
19	10	.8125-20 UNEF-2B	.875	22.23
26	12	.8750-20 UNEF-2B	.938	23.83
21	14	1.0625-20 UN-2B	1.125	28.58
22	15	1.1250-20 UN-2B	1.188	30.2
24	21	1.4375-20 UN-2B	1.562	39.7

Table V: Lanyard Options

 Nylon Rope	-65° to +100°C., black, very flexible, very good abrasion resistance, good resistance to fuels, .120" (3mm) diameter
 Polyurethane Coated Wire Rope	Black polyurethane over stainless steel rope, -65° to +125°C., very flexible, excellent abrasion resistance, excellent resistance to fuels, .080" (2mm) diameter
 Fluoropolymer Jacketed Wire Rope	Translucent FEP jacket over stainless steel rope, -65° to +200°C., fair flexibility, good abrasion resistance, .100" diameter
 Sash Chain	Stainless steel, #8 chain, .240" (6mm)

NOTES

Materials and Finishes

- Plug Cover: 316 Stainless Steel
- Receptacle Cover: Nickel-Aluminum-Bronze.
- Receptacle Shell: 316 Stainless Steel
- Plug O-Ring: Viton
- Receptacle Gasket: Fluorosilicone

Dimensions in Inches (millimeters) are subject to change without notice.

X-ON Electronics

Largest Supplier of Electrical and Electronic Components

Click to view similar products for [Circular MIL Spec Tools, Hardware & Accessories](#) *category:*

Click to view products by [Glenair](#) *manufacturer:*

Other Similar products are found below :

[0113-201-2025](#) [600-079-06](#) [600-146-06](#) [M10-101983-183](#) [M10-454396-008](#) [602GB18808](#) [CS3102A-22-14PW](#) [M2887615-CD](#) [627-009](#)
[M38999/9-19B](#) [630A007NF083A](#) [630B007M051A](#) [630BJ003NF032H](#) [637-149NF04B](#) [M39029/29-215](#) [6408-203V-09273](#) [6426-201-11343](#)
[650FS002NF16](#) [660-008NF14S7-01](#) [660-009M22H8-03](#) [660-013NF19U6-210](#) [660-015M10S6-17](#) [660-015NF10S5-01](#) [660-015NF14R3.5-01](#)
[660-023NF19H6-19](#) [660-024NF11S12-01](#) [660-024NF11S3-01](#) [660-024NF17S4-109](#) [660-050XM17F4-01](#) [660-068NF25R6-30G](#) [660-](#)
[070M23S8-04](#) [660-073MTCH9-20](#) [M83723/61-18W](#) [M83723/61-218R](#) [M83723/61-224W](#) [667-084-23C](#) [667-084-35C](#) [667-224NF16](#) [687-](#)
[697NF-1](#) [M85049/94-10-A](#) [M85049/96-7-A](#) [M855282-10A01A](#) [M85528/2-10B](#) [M855282-18A01A](#) [M85528/2-22A01A](#) [M85528/2-22AA](#)
[710HS460NF2508](#) [780-001-22G12-SK](#) [780-002-19G12-SK](#) [780-002-20G12SK](#)