

TABLE I : FINISH OPTIONS

Symbol	Finish	Symbol	Finish
B	Cadmium Plate/Olive Drab	NC	Zinc Cobalt/Dark Olive Drab
C*	Black Anodize	NF	Cadmium Plate/Olive Drab over Electroless Nickel
G*	Anodic Hard Coat	T	Cadmium Plate/Bright over Electroless Nickel
J	Gold Iridite over Cadmium Plate over Electroless Nickel	U**	Cadmium Plate/Black
LF	Cadmium Plate/Bright over Electroless Nickel	ZN	Zinc-Nickel Alloy/Olive Drab
M	Electroless Nickel		
N	Cadmium Plate/Olive Drab over Electroless Nickel		

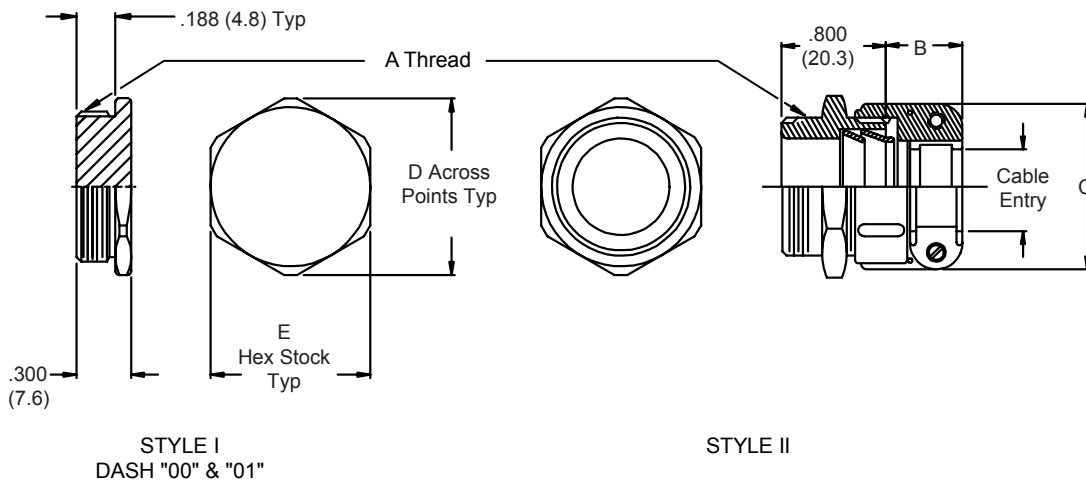
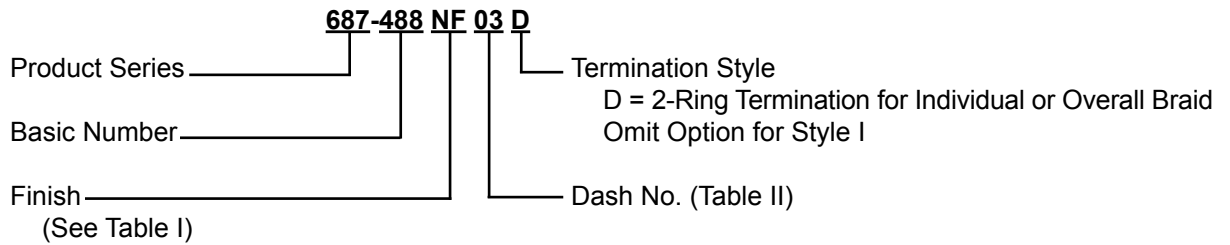
*Anodize finish is not suitable for EMI shielding or grounding applications.
 **Applicable to corrosion resisting steel backshells and accessories. Consult factory for other available finishes.

NOTES:

1. Metric dimensions (mm) are indicated in parentheses.
2. ARINC 600 Series Connector Backshells are designed to replace the insert retainer plates. Due to non-standard modifications by the connector manufacturer, the backshell may require special design alterations to mate properly. Prior to ordering, consult factory with connector part numbers not shown in the Part Number Development to ensure a proper fit.

Metric dimensions (mm) are indicated in parentheses.

687-488
EMI/RFI Adapter or Cap
 for 527-277 Feed Through Backshell (on previous page)



Symbol	Finish	Symbol	Finish
B	Cadmium Plate/Olive Drab	NC	Zinc Cobalt/Dark Olive Drab
C*	Black Anodize	NF	Cadmium Plate/Olive Drab over Electroless Nickel
G*	Anodic Hard Coat	T	Cadmium Plate/Bright over Electroless Nickel
J	Gold Iridite over Cadmium Plate over Electroless Nickel	U**	Cadmium Plate/Black
LF	Cadmium Plate/Bright over Electroless Nickel	ZN	Zinc-Nickel Alloy/Olive Drab
M	Electroless Nickel	*Anodize finish is not suitable for EMI shielding or grounding applications. **Applicable to corrosion resisting steel backshells and accessories. Consult factory for other available finishes.	
N	Cadmium Plate/Olive Drab over Electroless Nickel		

Dash No.	Style	A Thread Class 2A	B Max	C Max	D Ref	E	Cable Range	
							Min	Max
00	I	1 1/16-18 UNEF	—	—	1.250 (31.8)	1.125 (28.6)	—	—
01	I	15/16-20 UNEF	—	—	1.250 (28.6)	1.000 (25.4)	—	—
03	II	1 1/16-18 UNEF	.760 (19.3)	.844 (21.4)	1.250 (31.8)	1.125 (28.6)	.157 (4.0)	.250 (6.4)
04	II	1 1/16-18 UNEF	.760 (19.3)	.906 (23.0)	1.250 (31.8)	1.125 (28.6)	.187 (4.7)	.312 (7.9)
06	II	1 1/16-18 UNEF	.760 (19.3)	1.093 (27.8)	1.250 (31.8)	1.125 (28.6)	.281 (7.1)	.437 (11.1)
08	II	1 1/16-18 UNEF	.760 (19.3)	1.187 (30.1)	1.250 (31.8)	1.125 (28.6)	.344 (8.7)	.562 (14.3)
10	II	1 1/16-18 UNEF	.760 (19.3)	1.281 (32.5)	1.250 (31.8)	1.125 (28.6)	.375 (9.5)	.625 (15.9)
12	II	1 1/16-18 UNEF	.760 (19.3)	1.500 (38.1)	1.375 (34.9)	1.250 (31.8)	.438 (11.1)	.750 (19.1)
16	II	1 1/16-18 UNEF	1.073 (27.3)	1.719 (43.7)	1.620 (41.1)	1.500 (38.1)	.562 (14.3)	.938 (23.8)

Metric dimensions (mm) are indicated in parentheses.

X-ON Electronics

Largest Supplier of Electrical and Electronic Components

Click to view similar products for [Circular MIL Spec Strain Reliefs & Adapters](#) category:

Click to view products by [Glenair](#) manufacturer:

Other Similar products are found below :

[896227-000](#) [899170S004](#) [0113-023-000](#) [6000-063-0022](#) [CS6624-000](#) [620AB038Z136](#) [620AS001Z108](#) [620AS038Z112](#) [620AS038Z120](#)
[620AS038Z132](#) [620FB038NF08](#) [620HA038NF09](#) [620HA038NF11](#) [620HA038NF13](#) [620HA038NF25](#) [620HB049NF17](#) [620HS038NF11](#)
[620HS038Z121](#) [620HS042XM19](#) [620HS042XM25](#) [620HS048B17](#) [620MS064NF12](#) [620MS065Z107](#) [620MS065ZNU06](#) [627-123NF21-11](#)
[627-125NF23-6](#) [630J041M06H](#) [630J041M20H](#) [637S010NF0212H](#) [637S010NF0416A](#) [640830-000](#) [659943-000](#) [66241-10A](#) [CW0597-000](#)
[CW0598-000](#) [CW0948-000](#) [CY0122-000](#) [M85049/41-6A W/B](#) [M85049/42-12DS](#) [M85049/47N8](#) [M85049/51-1-14S](#) [M85049/51S16S](#)
[M85049/60-1N16](#) [M85049/60-2G12W](#) [M85049/69-11N](#) [CZ3661-000](#) [D02922-000](#) [70.360.1628.0](#) [703797-000](#) [705825-000](#)