



# SERIES 70 10K PSI / 700 BAR / 7000 M SeaKing™ High-Pressure Subsea Connectors, Cables, and PBOF Assemblies

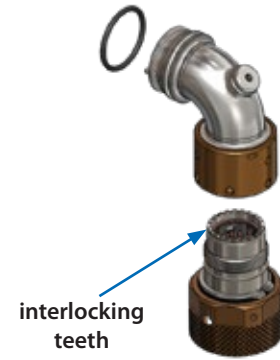
## PBOF assembly fittings and accessories



### REVOLUTIONARY PBOF SWIVEL HOSE ATTACHMENT ACCESSORIES

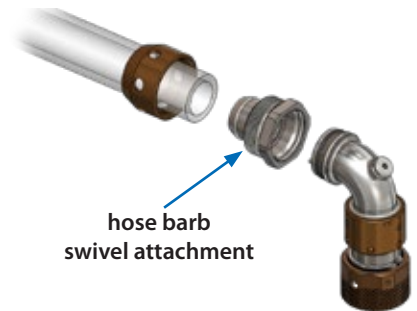
Hose barb fittings for PBOF assemblies are the perennial weak link in subsea oil & gas applications. Kinked and twisted hoses, leaky fittings, corroded hose clamps, and general poor performance characterize most existing solutions. The Glenair PBOF swivel hose attachment for SeaKing™ connectors solves these problems and more. Designed from the sea floor up to perform flawlessly and reliably, this revolutionary attachment puts an end to the long list of field maintenance problems associated with oil-filled cable applications.

- Straight, 45°, and 90° “full radius” angle and profile hose routing
- Hose angle adjustment feature eliminates risk of oil leakage
- Corrosion-resistant materials used throughout
- Threaded couplers with safety set-screws for fail-safe leak and decoupling protection—no special tools required for assembly
- Compact PBOF compression fitting with 340° hose swivel action
- Support for the broad range of hose diameters and wall thicknesses



interlocking teeth

Interlocking teeth on SeaKing™ plug connectors interface with corresponding teeth on the PBOF swivel hose attachment to facilitate easy indexing and routing of hose assemblies

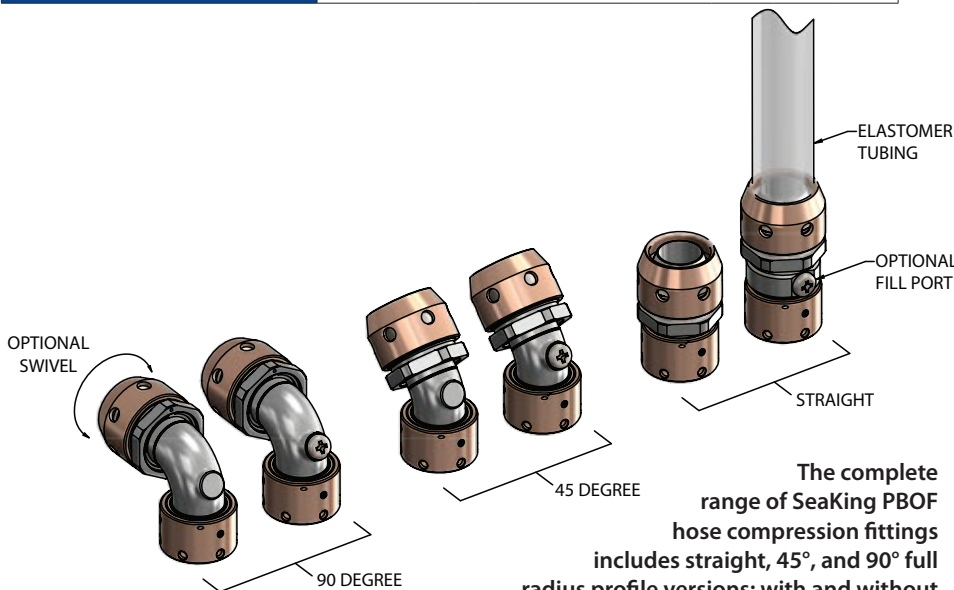


hose barb swivel attachment

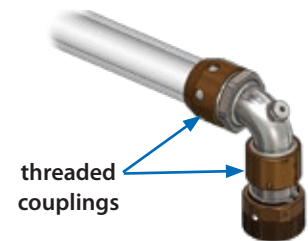
Revolutionary swivel hose barb compression attachment eliminates twisting and damage in PBOF assemblies

SUBSEA/DEEPWATER: SEAKING™

SeaKing PBOF Attachment Accessory Kits - How To Order	
Sample Part Number	709-003 K -L 1 S
Product Series	709-003 = SeaKing™ PBOF accessory
Shell Size	G, K, M, O, Q
Angular Function	L = Straight M = 45° N = 90°
Fill Port Option	0 = No fill port 1 = With fill port
Swivel/Fixed Option	S = Swivel F = Fixed



The complete range of SeaKing PBOF hose compression fittings includes straight, 45°, and 90° full radius profile versions; with and without integrated oil fill ports



threaded couplings

Threaded PBOF compression nut and connector coupling nut (with additional safety set screw) provide for fast and easy assembly and prevent leaks and assembly decoupling

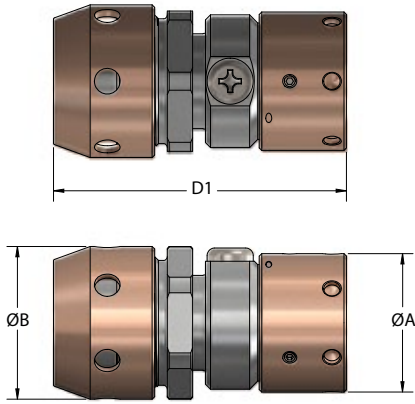


SERIES 70 10K PSI / 700 BAR / 7000 M

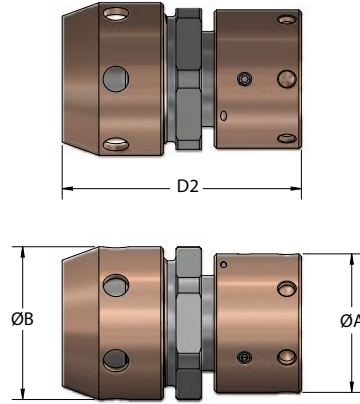
# SeaKing™ High-Pressure Subsea Connectors, Cables, and PBOF Assemblies



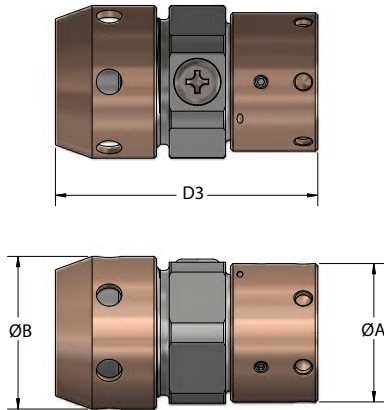
PBOF fitting: straight with fill port and swivel



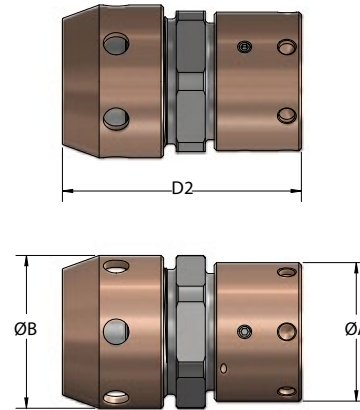
709-003-L15  
STRAIGHT, WITH FILL PORT, SWIVEL



709-003-L05  
STRAIGHT, WITHOUT FILL PORT, SWIVEL



709-003-L1F  
STRAIGHT, WITH FILL PORT, FIXED



709-003-L0F  
STRAIGHT, WITHOUT FILL PORT, FIXED

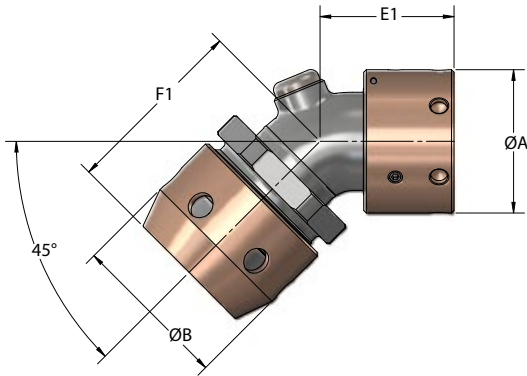
SUBSEA/DEEPWATER: SEAKING™



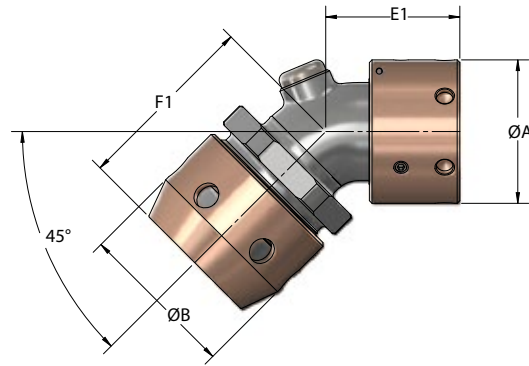
Dimensions					
Dim Callout	Shell Size				
	G	K	M	O	Q
A	0.97 (24.64)	1.10 (27.94)	1.35 (34.29)	1.60 (40.64)	1.85 (46.99)
B	1.08 (27.43)	1.21 (30.73)	1.40 (35.56)	1.58 (40.13)	1.83 (46.48)
C	0.99 (25.15)	1.11 (28.19)	1.30 (33.02)	1.49 (37.85)	1.80 (45.72)
D1	2.32 (58.93)	2.32 (58.93)	2.40 (60.96)	2.32 (58.93)	2.41 (61.21)
D2	1.89 (48.01)	1.89 (48.01)	1.97 (50.04)	1.89 (48.01)	1.98 (50.29)
D3	2.08 (52.83)	2.08 (52.83)	2.16 (54.86)	2.08 (52.83)	2.08 (52.83)



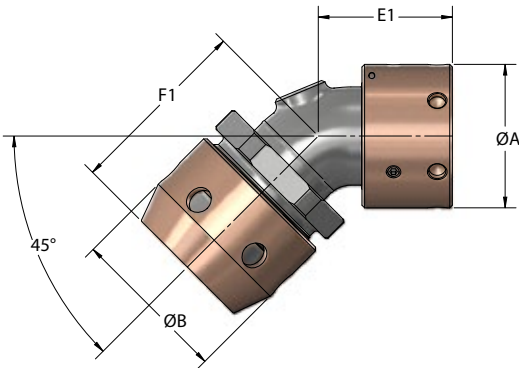
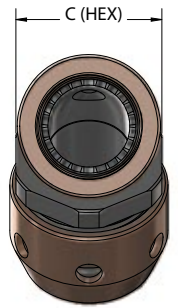
SERIES 70 10K PSI / 700 BAR / 7000 M  
**SeaKing™ High-Pressure Subsea  
 Connectors, Cables, and PBOF Assemblies**  
 PBOF fitting: 45° with fill port and swivel



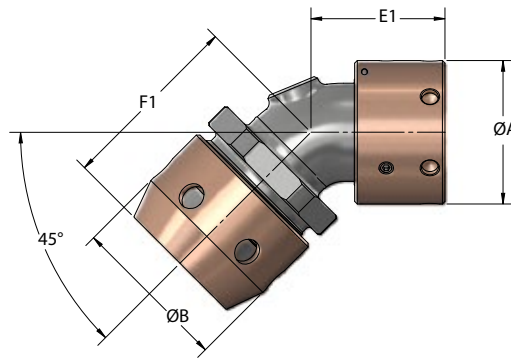
709-003 -M1S  
 45°, WITH FILL PORT, SWIVEL



709-003 -M1F  
 45°, WITH FILL PORT, FIXED



709-003 -M0S  
 45°, WITHOUT FILL PORT, SWIVEL



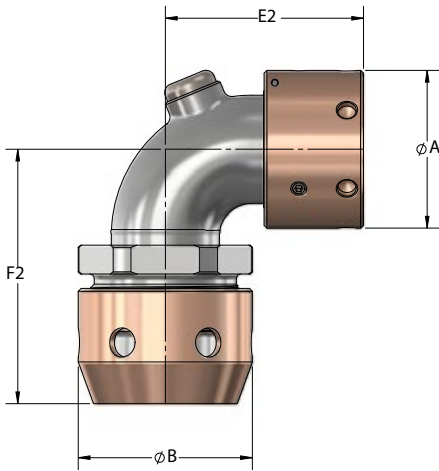
709-003 -M0F  
 45°, WITHOUT FILL PORT, FIXED

SUBSEA/DEEPWATER: SEAKING™

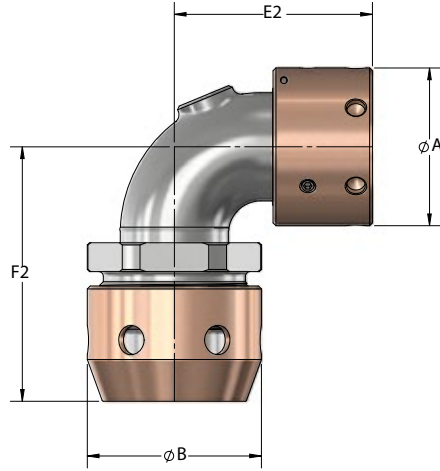
Dimensions					
Dim Callout	Shell Size				
	G	K	M	O	Q
A	0.97 (24.64)	1.10 (27.94)	1.35 (34.29)	1.60 (40.64)	1.85 (46.99)
B	1.08 (27.43)	1.21 (30.73)	1.40 (35.56)	1.58 (40.13)	1.83 (46.48)
C	0.99 (25.15)	1.11 (28.19)	1.30 (33.02)	1.49 (37.85)	1.80 (45.72)
E1	1.01 (25.65)	1.07 (27.18)	1.14 (28.96)	1.22 (30.99)	1.33 (33.78)
F1	1.42 (36.07)	1.48 (37.59)	1.63 (41.40)	1.63 (41.40)	1.83 (46.48)



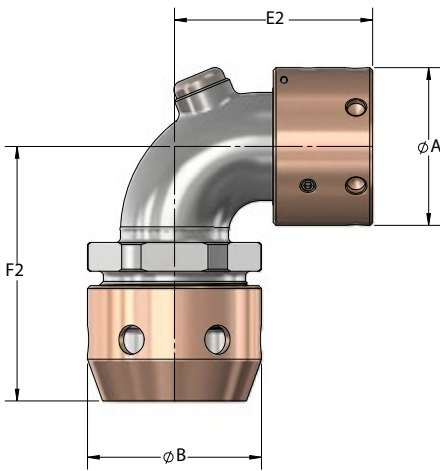
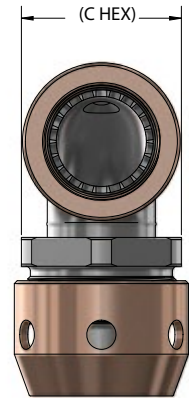
SERIES 70 10K PSI / 700 BAR / 7000 M  
**SeaKing™ High-Pressure Subsea  
 Connectors, Cables, and PBOF Assemblies**  
 PBOF fitting: 90° with fill port and swivel



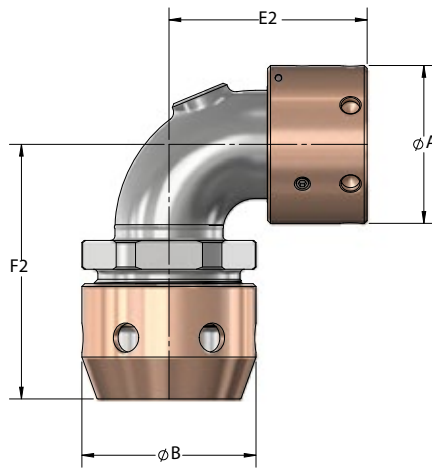
709-003 -N1S  
 90°, WITH FILL PORT, SWIVEL



709-003 -N0S  
 90°, WITHOUT FILL PORT, SWIVEL



709-003 -N1F  
 90°, WITH FILL PORT, FIXED



709-003 -N0F  
 90°, WITHOUT FILL PORT, FIXED

SUBSEA/DEEPWATER: SEAKING™



Dimensions					
Dim Callout	Shell Size				
	G	K	M	O	Q
A	0.97 (24.64)	1.10 (27.94)	1.35 (34.29)	1.60 (40.64)	1.85 (46.99)
B	1.08 (27.43)	1.21 (30.73)	1.40 (35.56)	1.58 (40.13)	1.83 (46.48)
C	0.99 (25.15)	1.11 (28.19)	1.30 (33.02)	1.49 (37.85)	1.80 (45.72)
E2	1.24 (31.50)	1.36 (34.54)	1.54 (39.12)	1.72 (43.69)	1.96 (49.78)
F2	1.65 (41.91)	1.77 (44.96)	2.03 (51.56)	2.13 (54.10)	2.46 (62.48)

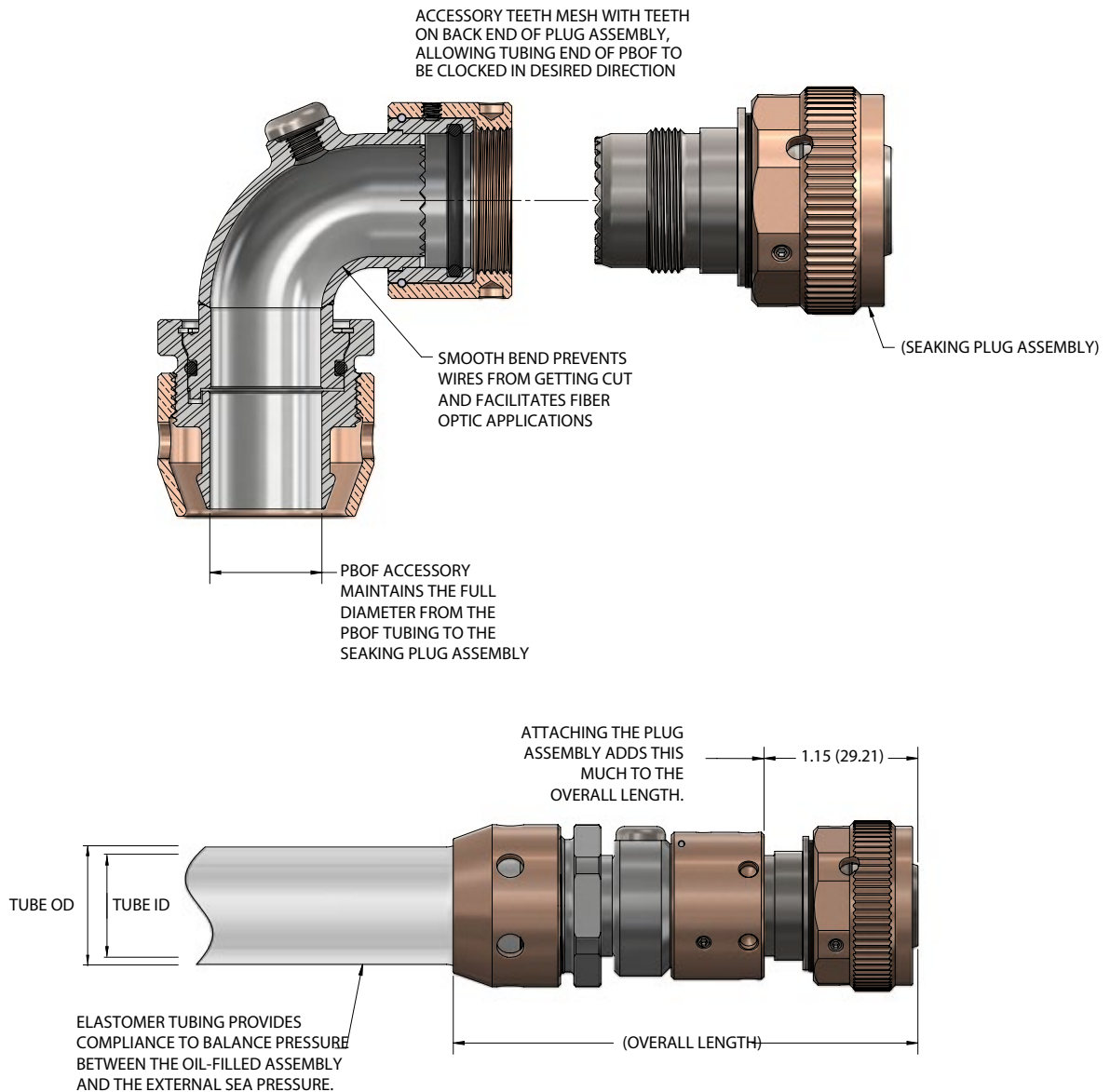


SERIES 70 10K PSI / 700 BAR / 7000 M

# SeaKing™ High-Pressure Subsea Connectors, Cables, and PBOF Assemblies



## PBOF tubing: flexible elastomer



SUBSEA/DEEPWATER: SEAKING™



Dimensions and Performance Data

SeaKing Shell Size	Tube I.D.	Tube O.D.	Wall Thickness	Min Bend Radius	Max Working Pressure		Vacuum Rating Inches of Mercury	
					@ 73F°	@ 180F°	@ 73F°	@ 180° F
E	3/8	5/8	1/8	1 1/2	205	115	29.9	29.9
G	1/2	3/4	1/8	2	195	110	29.9	29.9
K	5/8	7/8	1/8	3	175	105	29.9	25.0
M	3/4	1 1/16	5/32	3 1/2	150	100	29.9	25.0
O	1	1 3/8	3/16	4 3/4	120	80	29.9	15.0
Q	1 1/4	1 3/4	1/4	6	95	65	29.9	20.0



## X-ON Electronics

Largest Supplier of Electrical and Electronic Components

*Click to view similar products for [Standard Circular Connector](#) category:*

*Click to view products by [Glenair](#) manufacturer:*

Other Similar products are found below :

[5M2530B10P](#) [600259N006](#) [600273N007](#) [6134-336-13149](#) [6134-337-11149](#) [6134-337-2390](#) [6134-341-17149](#) [6280-4SG-516](#) [6280-7SG-3DC](#)  
[6290](#) [6291A](#) [66200A-10](#) [680-SMG](#) [681-PMG](#) [CXS3102A14S2P](#) [CXS3102A181S](#) [7251-6SG-300](#) [7271-6SG-300](#) [7282-3PG-300-CH3](#) [75-](#)  
[474014-05S](#) [75-474618-01S](#) [75-474618-04P](#) [75-474618-04S](#) [799539-000](#) [MI8-SE](#) [805-005-07NF11-19PC](#) [805-005-07NF15-7PA](#) [8280-4PG-](#)  
[516](#) [8280-7PG-519](#) [8282-5PG-519](#) [836783-1](#) [MP-4102-25P-C](#) [862256-1](#) [864019-2](#) [866857-1](#) [867865-1](#) [PT01SP-14-18P](#) [PT08P-14-5S](#)  
[PTSF06SE-14-12S](#) [120-1833-000](#) [QCM019PC2DC012B](#) [1-2069279-1](#) [121583-0217](#) [121667-0020](#) [129591AU](#) [1000B BULK](#) [RD10A16-19-](#)  
[P6CS051/1](#) [RD10A20-31-P8CS051/1](#) [RD16A14-12-S6CS051/2](#) [1301240290](#) [1301240347](#)