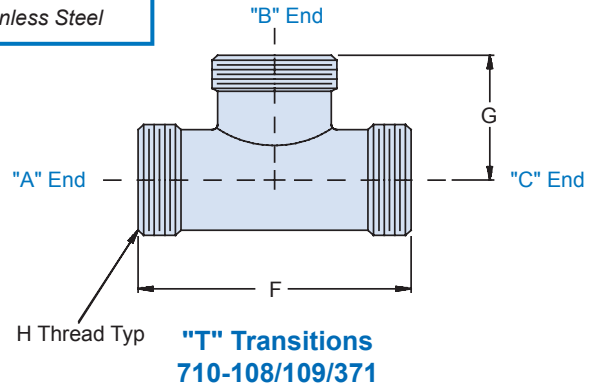
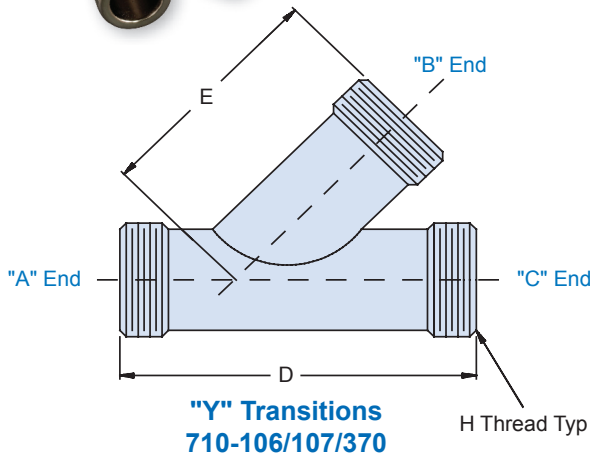




## 710-106/107/370 and 710-108/109/371 Metal "Y" and "T" Transitions for Series 72 & 74 Tubing and Series 75 Conduit

### Metal "T" & "Y" Transitions for use with Transition Fittings



#### How To Order

Product Series

710

Finish  
(Table II)

M

"B" End Dash No.

A24

B08

C16

Y Transition Material

106 = Aluminum  
107 = Brass  
370 = Stainless Steel

T Transition Material

108 = Aluminum  
109 = Brass  
371 = Stainless Steel

"A" End Dash No.

"C" End Dash No.

Table II: Finish

Sym	Finish
B	Olive Drab over Cadmium Plate
J	Gold Iridite over Cadmium Plate over Nickel
M	Electroless Nickel
N	Olive Drab over Cadmium Plate over Nickel
NC	Zinc Cobalt, Olive Drab
NF	Olive Drab over Cadmium Plate over Electroless Nickel (1000 Hour salt Spray)
T	Bright Dip Cadmium over Nickel
Z1	Passivate

Table III: Conduit Dash No./Dimensions

Dash No.	Conduit Size (Ref)			H Thread Class 2A	D Max	E Max	F Max	G Max
	72	74	75					
06	06	06	-	7/16 - 28 UNEF	1.97 (50.0)	1.20 (30.5)	1.33 (33.8)	.81 (20.6)
08	-	-	08	1/2 - 20 UNF	1.97 (50.0)	1.20 (30.5)	1.35 (34.3)	.84 (21.3)
09	09	09	09	9/16 - 24 UNEF	2.13 (54.1)	1.30 (33.0)	1.43 (36.3)	.88 (22.4)
10	-	10	-	9/16 - 24 UNEF	2.13 (54.1)	1.30 (33.0)	1.43 (36.3)	.88 (22.4)
12	12	12	12	5/8 - 24 UNEF	2.22 (56.4)	1.34 (34.0)	1.47 (37.3)	.91 (23.1)
14	14	14	-	11/16 - 24 UNEF	2.37 (60.2)	1.49 (37.8)	1.58 (40.1)	.94 (23.9)
16	16	16	16	3/4 - 20 UNEF	2.37 (60.2)	1.49 (37.8)	1.65 (41.9)	.94 (23.9)
20	20	20	20	7/8 - 20 UNEF	2.69 (68.3)	1.70 (43.2)	1.78 (45.2)	1.03 (26.2)
24	24	24	24	1 - 20 UNEF	2.75 (69.9)	1.84 (46.7)	1.85 (47.0)	1.13 (28.7)
28	28	28	-	1 3/16 - 18 UNEF	3.06 (77.7)	2.09 (53.1)	2.09 (53.1)	1.16 (29.5)
32	32	32	32	1 5/16 - 18 UNEF	3.28 (83.3)	2.23 (56.6)	2.43 (61.7)	1.16 (29.5)
40	40	40	40	1 1/2 - 18 UNEF	3.59 (91.2)	2.50 (63.5)	2.65 (67.3)	1.28 (32.5)
48	48	48	48	1 3/4 - 18 UNS	4.23 (107.4)	2.96 (75.2)	3.15 (80.0)	1.53 (38.9)
56	-	56	56	2 - 18 UNS	5.00 (127.0)	3.50 (88.9)	3.40 (86.4)	1.69 (42.9)
64	-	64	64	2 1/4 - 16 UN	5.00 (127.0)	3.50 (88.9)	3.75 (95.3)	1.87 (47.5)
80	-	-	80	2 3/4 - 16 UN	5.70 (144.8)	4.10 (104.1)	4.25 (108.0)	2.13 (54.1)

\* Consult factory for adapters using 3.000 inch (76.2) conduit

## X-ON Electronics

Largest Supplier of Electrical and Electronic Components

*Click to view similar products for* [Circular MIL Spec Tools, Hardware & Accessories](#) *category:*

*Click to view products by* [Glenair](#) *manufacturer:*

Other Similar products are found below :

[0113-201-2025](#) [600-079-06](#) [600-146-06](#) [M10-101983-183](#) [M10-454396-008](#) [602GB18808](#) [CS3102A-22-14PW](#) [M2887615-CD](#) [627-009](#)  
[M38999/9-19B](#) [630A007NF083A](#) [630B007M051A](#) [630BJ003NF032H](#) [637-149NF04B](#) [M39029/29-215](#) [6408-203V-09273](#) [6426-201-11343](#)  
[650FS002NF16](#) [660-008NF14S7-01](#) [660-009M22H8-03](#) [660-013NF19U6-210](#) [660-015M10S6-17](#) [660-015NF10S5-01](#) [660-015NF14R3.5-01](#)  
[660-023NF19H6-19](#) [660-024NF11S12-01](#) [660-024NF11S3-01](#) [660-024NF17S4-109](#) [660-050XM17F4-01](#) [660-068NF25R6-30G](#) [660-](#)  
[070M23S8-04](#) [660-073MTCH9-20](#) [M83723/61-18W](#) [M83723/61-218R](#) [M83723/61-224W](#) [667-084-23C](#) [667-084-35C](#) [667-224NF16](#) [687-](#)  
[697NF-1](#) [M85049/94-10-A](#) [M85049/96-7-A](#) [M855282-10A01A](#) [M85528/2-10B](#) [M855282-18A01A](#) [M85528/2-22A01A](#) [M85528/2-22AA](#)  
[710HS460NF2508](#) [780-001-22G12-SK](#) [780-002-19G12-SK](#) [780-002-20G12SK](#)