

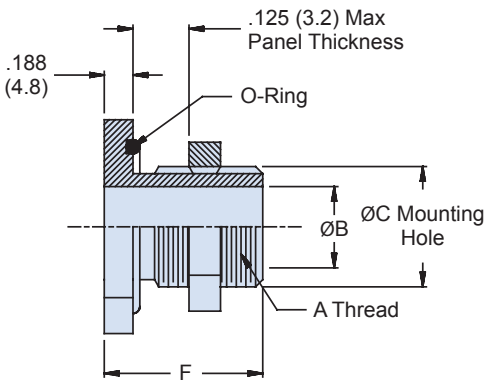
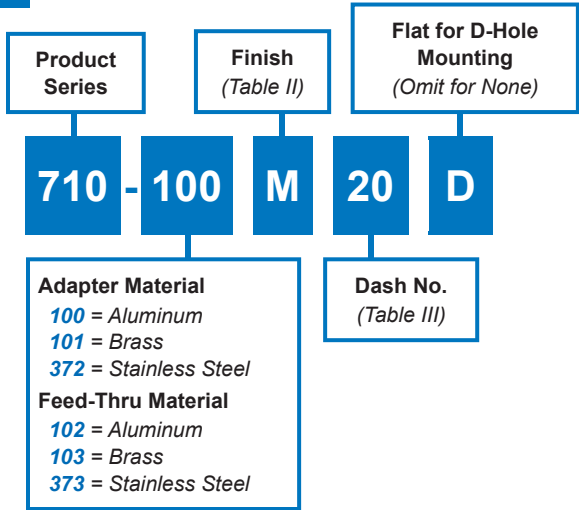


# 710-100 Metal Bulkhead Adapters & Feed-Throughs for Series 72 & 74 Tubing and Series 75 Conduit

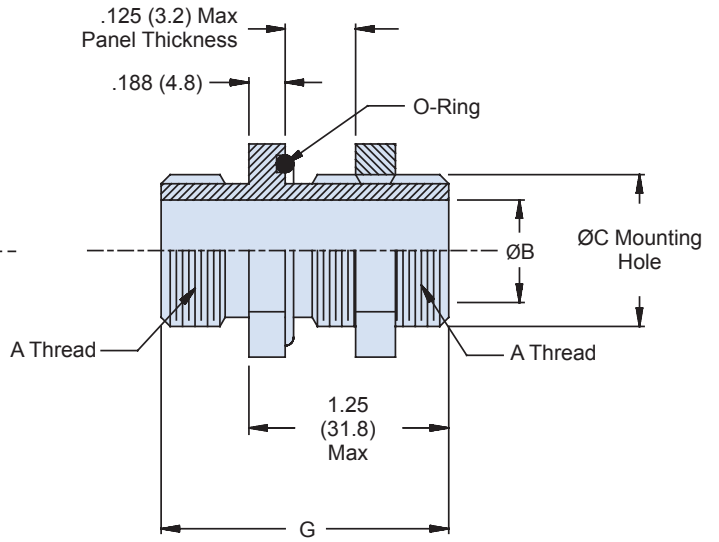
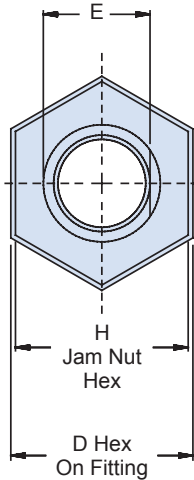
**Metal bulkhead adapters & feed-throughs mate with transition fittings**



### How To Order



**Bulkhead Adapters**  
710-100/101/372



**Bulkhead Feed-Throughs**  
710-102/103/373

# 710-100

## Metal Bulkhead Adapters & Feed-Throughs for Series 72 & 74 Tubing and Series 75 Conduit



**Table III: Dash No./Dimensions**

Dash No.	Conduit Size (Ref)			A Thread Class 2A	Ø B ± .015 (.4)	Ø C ± .030 (.8) - .000 (.0)	D Hex Fitting	E ± .000 (.0) - .015 (.4)	F Max	G Max	H Hex Jam Nut
	72	74	75								
06	06	06	-	7/16 - 28 UNEF	.193 (4.9)	.44 (11.2)	.69 (17.5)	.375 (9.5)	1.00 (25.4)	1.63 (41.4)	.63 (16.0)
08	-	-	08	1/2 - 20 UNF	.255 (6.5)	.50 (12.7)	.75 (19.1)	.438 (11.1)	1.00 (25.4)	1.63 (41.4)	.75 (19.1)
09	09	09	09	9/16 - 24 UNEF	.286 (7.3)	.56 (14.2)	.81 (20.6)	.500 (12.7)	1.00 (25.4)	1.63 (41.4)	.75 (19.1)
10	-	10	-	9/16 - 24 UNEF	.317 (8.1)	.56 (14.2)	.81 (20.6)	.500 (12.7)	1.00 (25.4)	1.63 (41.4)	.75 (19.1)
12	12	12	12	5/8 - 24 UNEF	.380 (9.7)	.63 (16.0)	.88 (22.4)	.563 (14.3)	1.00 (25.4)	1.63 (41.4)	.81 (20.6)
14	14	14	-	11/16 - 24 UNEF	.442 (11.2)	.69 (17.5)	.94 (23.9)	.625 (15.9)	1.00 (25.4)	1.63 (41.4)	.88 (22.4)
16	16	16	16	3/4 - 20 UNEF	.505 (12.8)	.75 (19.1)	1.00 (25.4)	.688 (17.5)	1.00 (25.4)	1.63 (41.4)	.94 (23.9)
20	20	20	20	7/8 - 20 UNEF	.630 (16.0)	.88 (22.4)	1.13 (28.7)	.812 (20.6)	1.00 (25.4)	1.63 (41.4)	1.06 (26.9)
24	24	24	24	1 - 20 UNEF	.755 (19.2)	1.00 (25.4)	1.25 (31.8)	.938 (23.8)	1.00 (25.4)	1.63 (41.4)	1.25 (31.8)
28	28	28	-	1 3/16 - 18 UNEF	.880 (22.4)	1.19 (30.2)	1.44 (36.6)	1.125 (28.6)	1.00 (25.4)	1.63 (41.4)	1.38 (35.1)
32	32	32	32	1 5/16 - 18 UNEF	1.005 (25.5)	1.31 (33.3)	1.56 (39.6)	1.250 (31.8)	1.00 (25.4)	1.63 (41.4)	1.62 (41.1)
40	40	40	40	1 1/2 - 18 UNEF	1.255 (31.9)	1.50 (38.1)	1.81 (46.0)	1.438 (36.5)	1.00 (25.4)	1.63 (41.4)	1.75 (44.5)
48	48	48	48	1 3/4 - 18 UNS	1.505 (38.2)	1.75 (44.5)	2.06 (52.3)	1.688 (42.9)	1.13 (28.7)	1.75 (44.5)	2.00 (50.8)
56	-	56	56	2 - 18 UNS	1.755 (44.6)	2.00 (50.8)	2.31 (58.7)	1.938 (49.2)	1.13 (28.7)	1.75 (44.5)	2.19 (55.6)
64	-	64	64	2 1/4 - 16 UN	2.005 (50.9)	2.25 (57.2)	2.56 (65.0)	2.188 (55.6)	1.13 (28.7)	1.75 (44.5)	2.44 (62.0)
80	-	-	80	2 3/4 - 16 UN	2.505 (63.6)	2.75 (69.9)	3.06 (77.7)	2.688 (68.3)	1.13 (28.7)	1.75 (44.5)	3.00 (76.2)
96	-	-	96	3 1/4 - 16 UN	3.005 (76.3)	3.25 (82.6)	3.56 (90.4)	3.188 (81.0)	1.13 (28.7)	1.75 (44.5)	3.50 (88.9)

**Table II: Finish**

Sym	Finish
B	Olive Drab over Cadmium Plate
J	Gold Iridite over Cadmium Plate over Nickel
M	Electroless Nickel
N	Olive Drab over Cadmium Plate over Nickel
NC	Zinc Cobalt, Olive Drab
NF	Olive Drab over Cadmium Plate over Electroless Nickel (1000 Hour salt Spray)
T	Bright Dip Cadmium over Nickel
Z1	Passivate

## X-ON Electronics

Largest Supplier of Electrical and Electronic Components

*Click to view similar products for [Circular MIL Spec Strain Reliefs & Adapters](#) category:*

*Click to view products by [Glenair](#) manufacturer:*

Other Similar products are found below :

[896227-000](#) [899170S004](#) [6000-063-0022](#) [613751-000](#) [CS6624-000](#) [620AB038Z136](#) [620AS001Z108](#) [620AS038Z112](#) [620AS038Z120](#)  
[620AS038Z132](#) [620FB038NF08](#) [620HA038NF13](#) [620HA038NF25](#) [620HA042XM13](#) [620HB049NF17](#) [620HS011NF21](#) [620HS038NF11](#)  
[620HS038Z121](#) [620HS042XM19](#) [620HS042XM25](#) [620HS042XW13](#) [620HS048B17](#) [620MS064NF09](#) [620MS064NF12](#) [620MS065M12](#)  
[620MS065Z107](#) [620MS065ZNU06](#) [630J041M06H](#) [630J041M20H](#) [637S010NF0212H](#) [640830-000](#) [659943-000](#) [66241-10A](#) [CW0597-000](#)  
[CW0598-000](#) [CW0948-000](#) [CY0122-000](#) [M85049/41-6A W/B](#) [M85049/42-12DS](#) [M85049/47N8](#) [M85049/47W18](#) [M85049/51-1-14S](#)  
[M85049/51-1-8W](#) [M85049/51S16S](#) [M85049/60-1N16](#) [M85049/60-2G12W](#) [M85049/69-11N](#) [CZ3661-000](#) [D02922-000](#) [70.360.1628.0](#)