



**711-150**  
**Internal Braid System**  
Environmental Self-Locking Metal Backshell  
for Series 74 Helical Convolted Tubing with Internal Braid

**Internal braid conduit-to-connector backshell, metal**

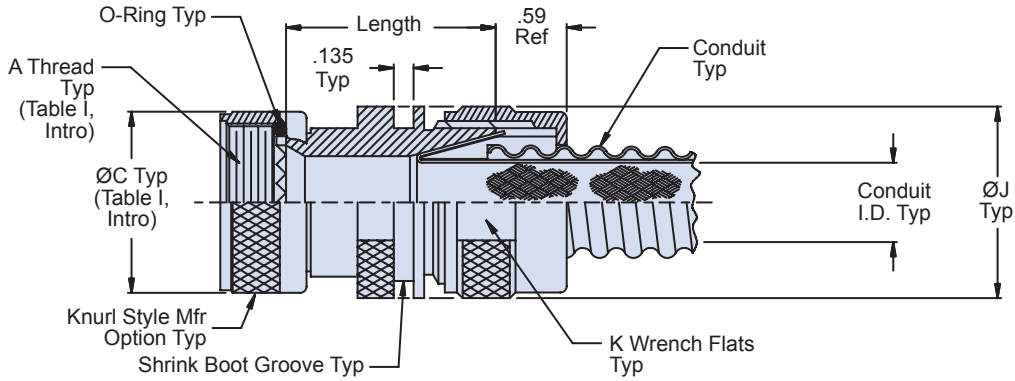
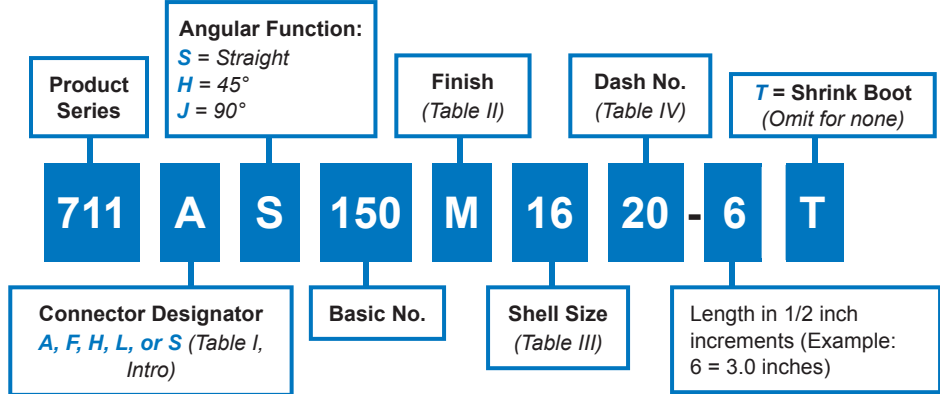


olive drab finish



nickel finish

**How To Order**



**SYM S - Straight**

**Material/Finish**

- Adapters, Elbows, Coupling Nuts, Nuts & Ferrules: Table II (see P/N development)
- O-Ring: Silicone/NA
- Anti-decoupling Device: Corrosion resistant material
- Shrink Boot: See individual drawings

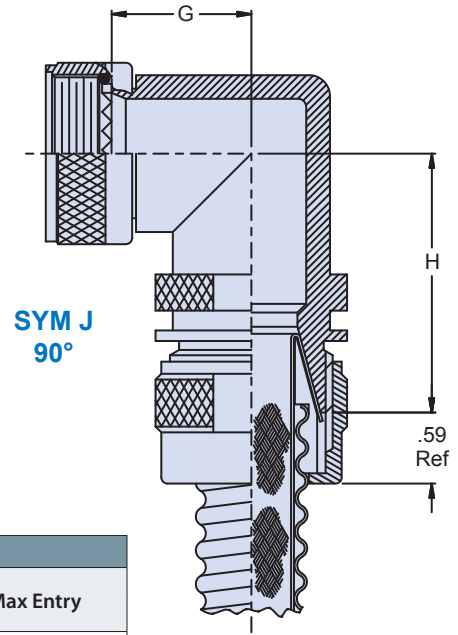
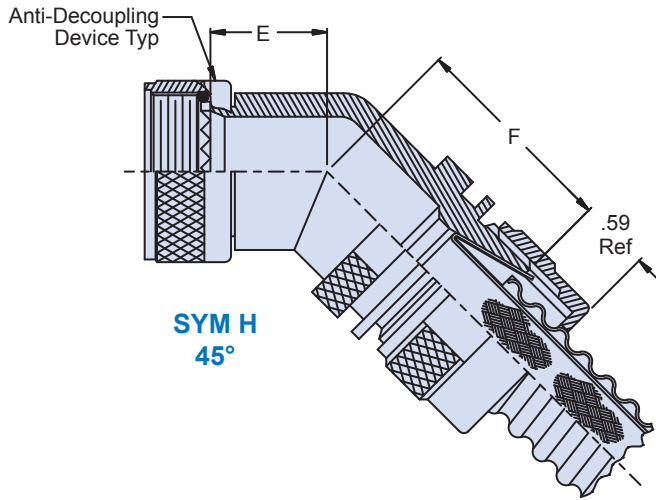
**Assembly Notes**

- Standard minimum length is 1.50 inches. For shorter length, consult factory. Note: applies to SYM S, Straight, only.
- O-Ring not supplied with Connector code "A".

**711-150**  
**Internal Braid System**  
 Environmental Self-Locking Metal Backshell  
 for Series 74 Helical Convoluted Tubing with Internal Braid



Series 74  
Helical Tubing



**Table III: Shell Size/Dimensions**

Shell Size A, F, L, S	H	E Max	F Max	G Max	H Max	Max Entry
08	09	.829 (21.1)	1.64 (41.7)	.94 (23.9)	1.75 (44.5)	20
10	11	.854 (21.7)	1.67 (42.4)	1.00 (25.4)	1.82 (46.2)	24
12	13	.878 (22.3)	1.69 (42.9)	1.06 (26.9)	1.88 (47.8)	28
14	15	.895 (22.7)	1.72 (43.7)	1.11 (28.2)	1.94 (49.3)	32
16	17	.922 (23.4)	1.75 (44.5)	1.17 (29.7)	2.00 (50.8)	32
18	19	.938 (23.8)	1.76 (44.7)	1.21 (30.7)	2.05 (52.1)	40
20	21	.963 (24.5)	1.80 (45.7)	1.27 (32.3)	2.12 (53.8)	40
22	23	.990 (25.1)	1.82 (46.2)	1.33 (33.8)	2.17 (55.1)	48
24	25	1.013 (25.7)	1.84 (46.7)	1.39 (35.3)	2.24 (56.9)	48
28		1.231 (31.2)	1.88 (47.8)	1.67 (42.4)	2.31 (58.7)	56
32		1.282 (32.5)	1.93 (49.0)	1.80 (45.7)	2.44 (62.0)	64
36		1.328 (33.8)	1.97 (50.0)	1.91 (48.5)	2.55 (64.8)	64

**Table IV: Dimensions/Shrink Boot**

Dash No.	Conduit I.D.	ØJ	K Flat	Shrink Boot Part Number
06	See 121-195 Conduit Drawing	.94 (23.9)	.812 (20.6)	<a href="#">770-001S105</a>
09		1.00 (25.4)	.875 (22.2)	<a href="#">770-001S106</a>
10		1.06 (26.9)	.937 (23.8)	<a href="#">770-001S106</a>
12		1.13 (28.7)	1.000 (25.4)	<a href="#">770-001S106</a>
14		1.19 (30.2)	1.062 (27.1)	<a href="#">770-001S106</a>
16		1.25 (31.8)	1.125 (28.7)	<a href="#">770-001S107</a>
20		1.38 (35.1)	1.250 (31.8)	<a href="#">770-001S107</a>
24		1.56 (39.6)	1.438 (36.6)	<a href="#">770-001S108</a>
28		1.69 (42.9)	1.562 (39.6)	<a href="#">770-001S108</a>
32		1.88 (47.8)	1.750 (44.5)	<a href="#">770-001S108</a>
40		2.13 (54.1)	2.000 (50.8)	<a href="#">770-001S108</a>
48		2.50 (63.5)	2.375 (60.5)	TBD
56		2.75 (69.9)	2.625 (66.8)	TBD
64		3.00 (76.2)	2.875 (73.2)	TBD

**Table II: Material/Finish**

Sym	Material	Finish Description
M	Aluminum Alloy	Electroless Nickel
MT	Aluminum Alloy	Nickel-PTFE
NF	Aluminum Alloy	Cad/O.D. over Electroless Nickel (1,000 Hour Salt Spray)
Z1	300 Series SST	Passivate
ZN	Aluminum Alloy	Zinc Nickel/O.D. over Electroless Nickel (1,000 Hour Salt Spray)

**Table II (continued)**

Sym	Material	Finish Description	Component
ZM	300 Series SST	Electroless Nickel	Adapter, Elbow
		Passivate	Coupling Nut
ZW	300 Series SST	Cadmium Olive Drab over Electroless Nickel	Adapter, Elbow
		Cadmium Olive Drab	Coupling Nut

## X-ON Electronics

Largest Supplier of Electrical and Electronic Components

*Click to view similar products for* [Circular MIL Spec Tools, Hardware & Accessories](#) *category:*

*Click to view products by* [Glenair](#) *manufacturer:*

Other Similar products are found below :

[0113-201-2025](#) [600-079-06](#) [600-146-06](#) [M10-101982-143](#) [M10-101982-163](#) [M10-101983-183](#) [M10-150912-083](#) [M10-454396-008](#)  
[602GB18808](#) [CS3102A-22-14PW](#) [M2887615-CD](#) [627-009](#) [M38999/9-19B](#) [630A007NF083A](#) [630B007M051A](#) [630BJ003NF032H](#) [637-](#)  
[149NF04B](#) [M39029/29-215](#) [6408-203V-09273](#) [6426-201-11343](#) [650FS002NF16](#) [660-008NF14S7-01](#) [660-009M22H8-03](#) [660-013NF19U6-](#)  
[210](#) [660-015M10S6-17](#) [660-015NF10S5-01](#) [660-015NF14R3.5-01](#) [660-023NF19H6-19](#) [660-024NF11S12-01](#) [660-024NF11S3-01](#) [660-](#)  
[024NF17S4-109](#) [660-050XM17F4-01](#) [660-068NF25R6-30G](#) [660-070M23S8-04](#) [660-073MTCH9-20](#) [M83723/61-18W](#) [M83723/61-218R](#)  
[M83723/61-224W](#) [667-084-23C](#) [667-084-35C](#) [667-224NF16](#) [687-697NF-1](#) [M85049/94-10-A](#) [M85049/96-7-A](#) [M855282-10A01A](#)  
[M85528/2-10B](#) [M855282-18A01A](#) [M85528/2-22A01A](#) [M85528/2-22AA](#) [710HS460NF2508](#)