



711-150
Internal Braid System
Environmental Self-Locking Metal Backshell
for Series 74 Helical Convolted Tubing with Internal Braid

Internal braid conduit-to-connector backshell, metal

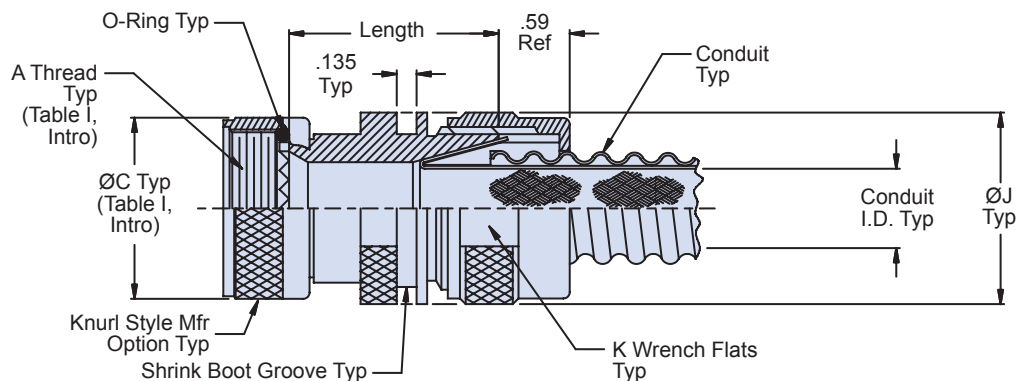
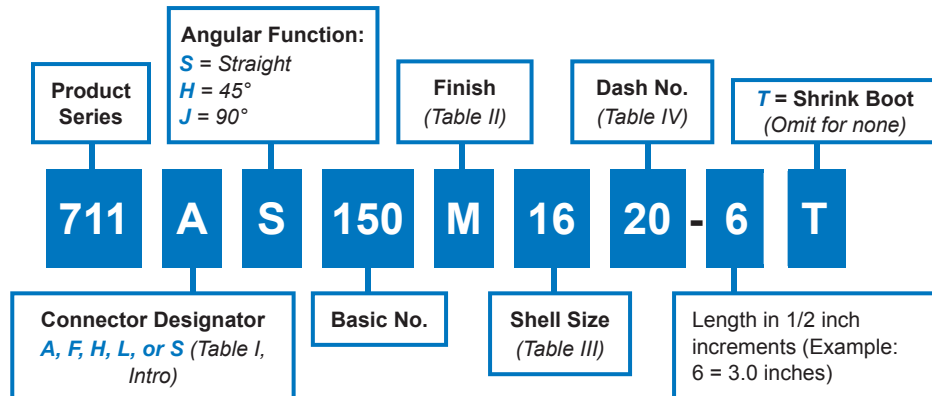


olive drab finish



nickel finish

How To Order



SYM S - Straight

Material/Finish

- Adapters, Elbows, Coupling Nuts, Nuts & Ferrules: Table II (see P/N development)
- O-Ring: Silicone/NA
- Anti-decoupling Device: Corrosion resistant material
- Shrink Boot: See individual drawings

Assembly Notes

- Standard minimum length is 1.50 inches. For shorter length, consult factory. Note: applies to SYM S, Straight, only.
- O-Ring not supplied with Connector code "A".

711-150
Internal Braid System
 Environmental Self-Locking Metal Backshell
 for Series 74 Helical Convoluted Tubing with Internal Braid

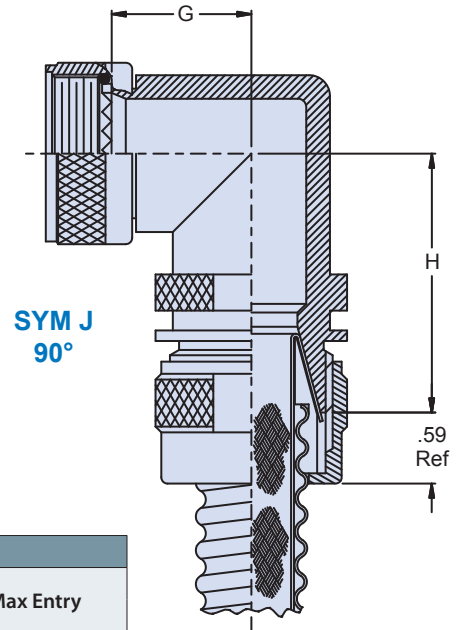
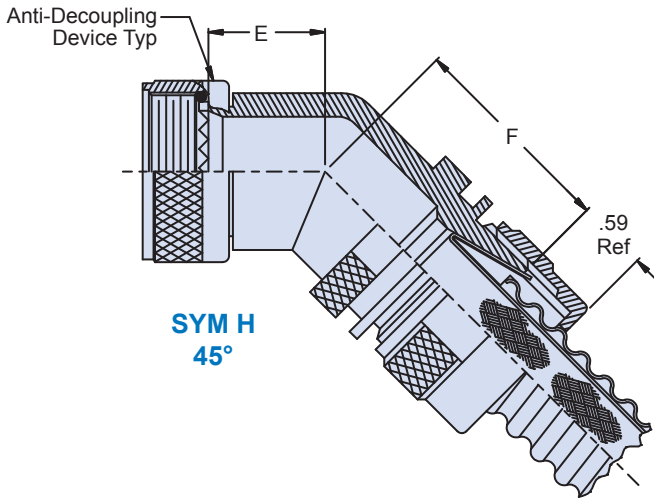


Table III: Shell Size/Dimensions

| Shell Size | | E | F | G | H | Max Entry |
|------------|----|--------------|-------------|-------------|-------------|-----------|
| A, F, L, S | H | Max | Max | Max | Max | |
| 08 | 09 | .829 (21.1) | 1.64 (41.7) | .94 (23.9) | 1.75 (44.5) | 20 |
| 10 | 11 | .854 (21.7) | 1.67 (42.4) | 1.00 (25.4) | 1.82 (46.2) | 24 |
| 12 | 13 | .878 (22.3) | 1.69 (42.9) | 1.06 (26.9) | 1.88 (47.8) | 28 |
| 14 | 15 | .895 (22.7) | 1.72 (43.7) | 1.11 (28.2) | 1.94 (49.3) | 32 |
| 16 | 17 | .922 (23.4) | 1.75 (44.5) | 1.17 (29.7) | 2.00 (50.8) | 32 |
| 18 | 19 | .938 (23.8) | 1.76 (44.7) | 1.21 (30.7) | 2.05 (52.1) | 40 |
| 20 | 21 | .963 (24.5) | 1.80 (45.7) | 1.27 (32.3) | 2.12 (53.8) | 40 |
| 22 | 23 | .990 (25.1) | 1.82 (46.2) | 1.33 (33.8) | 2.17 (55.1) | 48 |
| 24 | 25 | 1.013 (25.7) | 1.84 (46.7) | 1.39 (35.3) | 2.24 (56.9) | 48 |
| 28 | | 1.231 (31.2) | 1.88 (47.8) | 1.67 (42.4) | 2.31 (58.7) | 56 |
| 32 | | 1.282 (32.5) | 1.93 (49.0) | 1.80 (45.7) | 2.44 (62.0) | 64 |
| 36 | | 1.328 (33.8) | 1.97 (50.0) | 1.91 (48.5) | 2.55 (64.8) | 64 |

Table IV: Dimensions/Shrink Boot

| Dash No. | Conduit I.D. | ØJ | K Flat | Shrink Boot Part Number |
|----------|-----------------------------|-------------|--------------|-----------------------------|
| 06 | See 121-195 Conduit Drawing | .94 (23.9) | .812 (20.6) | 770-001S105 |
| 09 | | 1.00 (25.4) | .875 (22.2) | 770-001S106 |
| 10 | | 1.06 (26.9) | .937 (23.8) | 770-001S106 |
| 12 | | 1.13 (28.7) | 1.000 (25.4) | 770-001S106 |
| 14 | | 1.19 (30.2) | 1.062 (27.1) | 770-001S106 |
| 16 | | 1.25 (31.8) | 1.125 (28.7) | 770-001S107 |
| 20 | | 1.38 (35.1) | 1.250 (31.8) | 770-001S107 |
| 24 | | 1.56 (39.6) | 1.438 (36.6) | 770-001S108 |
| 28 | | 1.69 (42.9) | 1.562 (39.6) | 770-001S108 |
| 32 | | 1.88 (47.8) | 1.750 (44.5) | 770-001S108 |
| 40 | | 2.13 (54.1) | 2.000 (50.8) | 770-001S108 |
| 48 | | 2.50 (63.5) | 2.375 (60.5) | TBD |
| 56 | | 2.75 (69.9) | 2.625 (66.8) | TBD |
| 64 | | 3.00 (76.2) | 2.875 (73.2) | TBD |

Table II: Material/Finish

| Sym | Material | Finish Description |
|-----|----------------|--|
| M | Aluminum Alloy | Electroless Nickel |
| MT | Aluminum Alloy | Nickel-PTFE |
| NF | Aluminum Alloy | Cad/O.D. over Electroless Nickel (1,000 Hour Salt Spray) |
| Z1 | 300 Series SST | Passivate |
| ZN | Aluminum Alloy | Zinc Nickel/O.D. over Electroless Nickel (1,000 Hour Salt Spray) |

Table II (continued)

| Sym | Material | Finish Description | Component |
|-----|----------------|--|----------------|
| ZM | 300 Series SST | Electroless Nickel | Adapter, Elbow |
| | | Passivate | Coupling Nut |
| ZW | 300 Series SST | Cadmium Olive Drab over Electroless Nickel | Adapter, Elbow |
| | | Cadmium Olive Drab | Coupling Nut |

X-ON Electronics

Largest Supplier of Electrical and Electronic Components

Click to view similar products for [Circular MIL Spec Backshells](#) category:

Click to view products by [Glenair](#) manufacturer:

Other Similar products are found below :

[60-036152-022](#) [610HS012M15](#) [M28840/504WA](#) [M28840/805WB](#) [M28840/809WA](#) [M28840/815WA](#) [M28840/816WA](#) [627AS017M14](#)
[627MA124M14S](#) [655HS002NF11](#) [CW3899-000](#) [M85049/10-134S](#) [M85049/10-17S](#) [M85049/10-33S](#) [M85049/10-94W](#) [M85049/11-28N](#)
[M85049/11-37N](#) [M85049/11-53N](#) [M85049/11-63N](#) [M85049/124-23W](#) [M85049/1720N04B](#) [M85049/1821W05C](#) [M85049/1825W06C](#)
[M85049/1919N05](#) [M85049/23-74W](#) [M85049/24-71N](#) [M85049/25-47N](#) [M85049/25-94W](#) [M85049/27S12N](#) [M85049/39-11S](#) [M85049/39-17S](#)
[M85049/39-9S](#) [M85049/6-10B](#) [M85049/6-19N](#) [M85049/6-20B](#) [M85049/77-20W04](#) [M85049/78-11N03](#) [M85049/78-15W02](#) [M85049/78-](#)
[17N04](#) [M85049/78-19N05](#) [M85049/79-19N07](#) [M85049/79-25N04](#) [M85049/82-18N02](#) [M85049/82-22P02](#) [M85049/83-10W03](#) [M85049/84-](#)
[20N03](#) [M85049/8-48N](#) [M85049/85-24N01](#) [M85049/85-24P01](#) [M85049/86-16P03](#)