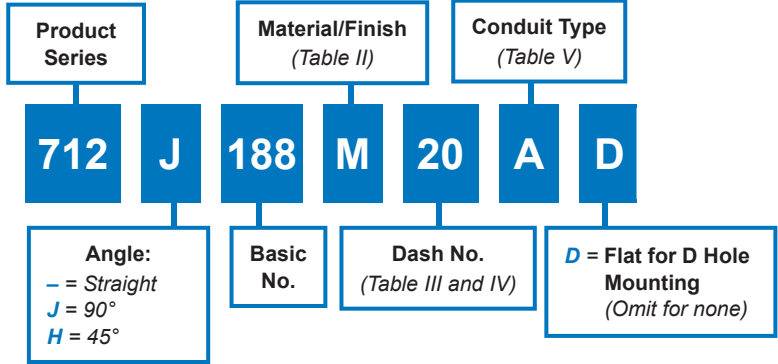




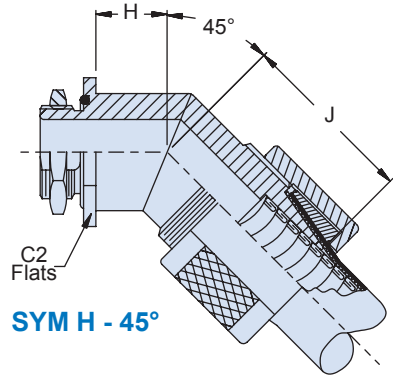
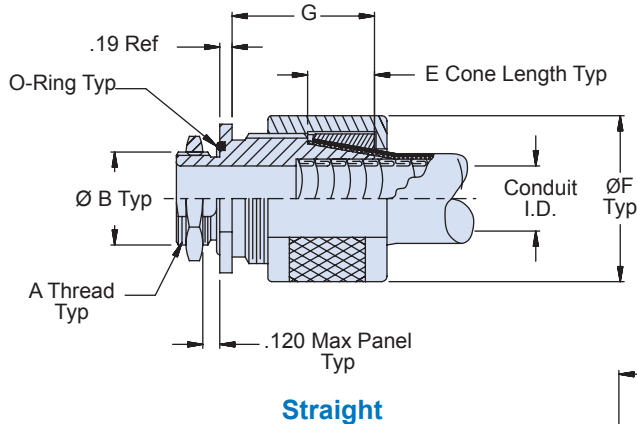
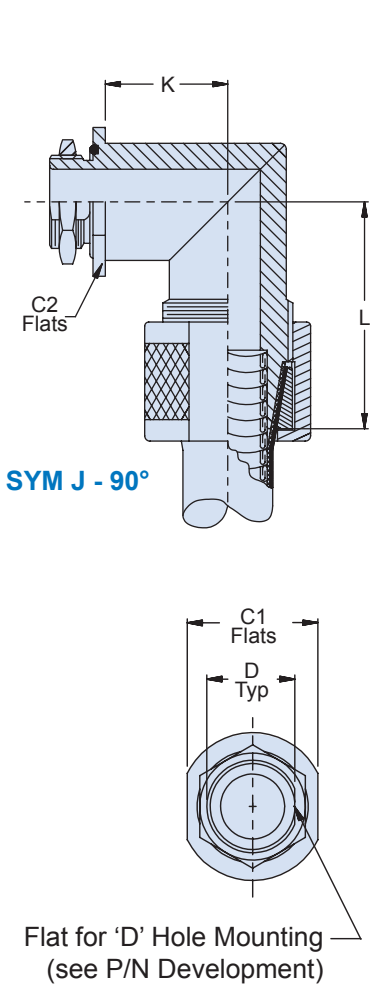
712-188
Legacy MIL-C-24758 (Superseded)
Environmental EMI/RFI Bulkhead Fitting
for Series 75 Metal-Core Conduit

Legacy MIL-C-24758 conduit-to-bulkhead fitting (Superseded by MIL-PRF-24758A [SH])

How To Order



D



Material/Finish

- Adapter, Nuts, Rings: See Table II
- O-Ring: Silicone

Notes

- F dimensions are based on type A conduit. Add .125 (3.2) to listed dimensions for additional shield types B or D.

712-188
Legacy MIL-C-24758 (Superseded)
Environmental EMI/RFI Bulkhead Fitting
for Series 75 Metal-Core Conduit



Table III: Dash No./Dimensions

Dash No	Conduit I.D.	A Thread Class 2A	Ø B +.03 -.00	C1 Flats	C2 Flats	D +.000 -.015	H Max	J Max	K Max	L Max
08	.250 (6.4)	1/2 - 20 UNF	.50 (12.7)	000 (25.4)	.750 (19.1)	.438 (11.1)	0.424 (10.8)	1.700 (43.2)	0.550 (14.0)	1.810 (46.0)
12	.375 (9.5)	5/8 - 24 UNEF	.63 (16.0)	1.187 (30.1)	.875 (22.2)	.563 (14.3)	0.454 (11.5)	1.730 (43.9)	0.610 (15.5)	1.870 (47.5)
16	.500 (12.7)	3/4 - 20 UNEF	.75 (19.1)	1.250 (31.8)	1.000 (25.4)	.688 (17.5)	0.488 (12.4)	1.750 (44.5)	0.670 (17.0)	1.930 (49.0)
20	.625 (15.9)	7/8 - 20 UNEF	.88 (22.4)	1.375 (34.9)	1.125 (28.6)	.812 (20.6)	0.505 (12.8)	1.780 (45.2)	0.720 (18.3)	2.000 (50.8)
24	.750 (19.1)	1 - 20 UNEF	1.00 (25.4)	1.625 (41.3)	1.250 (31.8)	.938 (23.8)	0.532 (13.5)	1.800 (45.7)	0.780 (19.8)	2.060 (52.3)
32	1.000 (25.4)	1 5/16 - 18 UNEF	1.32 (33.5)	1.812 (46.0)	1.562 (39.7)	1.250 (31.8)	0.573 (14.6)	2.020 (51.3)	0.880 (22.4)	2.390 (60.7)
40	1.250 (31.8)	1 1/2 - 18 UNEF	1.50 (38.1)	2.125 (54.0)	1.812 (46.0)	1.438 (36.5)	0.623 (15.8)	2.090 (53.1)	1.000 (25.4)	2.540 (64.5)
48	1.500 (38.1)	1 3/4 - 18 UNS	1.75 (44.5)	2.500 (63.5)	2.062 (52.4)	1.688 (42.9)	0.841 (21.4)	2.360 (59.9)	1.280 (32.5)	2.870 (72.9)
56	1.750 (44.5)	2 - 18 UNS	2.00 (50.8)	2.750 (69.9)	2.312 (58.7)	1.938 (49.2)	0.862 (21.9)	2.410 (61.2)	1.350 (34.3)	2.960 (75.2)
64	2.000 (50.8)	2 1/4 - 16 UN	2.25 (57.2)	3.000 (76.2)	2.562 (65.1)	2.188 (55.6)	0.892 (22.7)	2.450 (62.2)	1.410 (35.8)	3.070 (78.0)
80	2.500 (63.5)	2 3/4 - 16 UN	2.75 (69.9)	3.625 (92.1)	3.062 (77.8)	2.688 (68.3)	0.990 (25.1)	2.550 (64.8)	1.660 (42.2)	3.320 (84.3)
96	3.000 (76.2)	3 1/4 - 16 UN	3.25 (82.6)	4.000 (101.6)	3.562 (90.5)	3.188 (81.0)	1.050 (26.7)	2.610 (66.3)	1.790 (45.5)	3.450 (87.6)

Table IV: Dash No./Dimensions

Dash No	E	Ø F Max	G
08	.75 (19.1)	1.16 (29.5)	1.39 (35.3)
12	.75 (19.1)	1.34 (34.0)	1.39 (35.3)
16	.75 (19.1)	1.46 (37.1)	1.39 (35.3)
20	.75 (19.1)	1.65 (41.9)	1.39 (35.3)
24	.75 (19.1)	1.84 (46.7)	1.39 (35.3)
32	1.00 (25.4)	2.02 (51.3)	1.64 (41.7)
40	1.00 (25.4)	2.34 (59.4)	1.64 (41.7)
48	1.00 (25.4)	2.72 (69.0)	1.64 (41.7)
56	1.00 (25.4)	2.96 (75.2)	1.64 (41.7)
64	1.00 (25.4)	3.22 (81.8)	1.64 (41.7)
80	1.00 (25.4)	3.86 (98.0)	1.64 (41.7)
96	1.00 (25.4)	4.38 (111.3)	1.64 (41.7)

Table II: Finish

Symbol	Material	Finish
A	Aluminum Alloy, 6061	Cadmium, Olive Drab, per QQ-P-416 over Electroless Nickel per ASTM B733-90 and MIL-C-26074, 1000 Hour Salt Spray
B	Brass, ASTM B16	
C	Corrosion Resistant Steel, 300 Series	Passivate per QQ-P-35
M	Aluminum Alloy, 6061	Electroless Nickel per ASTM B733-90 and MIL-C-26074
NC	Aluminum Alloy, 6061	Zinc Cobalt, Olive Drab
S	Carbon Steel, B1113	Cadmium, Olive Drab, per QQ-P-416, over Electroless Nickel per ASTM B733-90 and MIL-C-26074, 500 Hour Salt Spray

1.000 (25.4)
 1.187 (30.1)
 1.250 (31.8)
 1.375 (34.9)
 1.625 (41.3)
 1.812 (46.0)
 2.125 (54.0)
 2.500 (63.5)
 2.750 (69.9)
 3.000 (76.2)
 3.625 (92.1)

Table V: Conduit Type

Conduit Type	Part Number	Configuration
A	750-192	Brass conduit with single braided shield and jacket
B	750-194	Brass conduit with double braided shield and jacket
D	750-196	Brass conduit with triple braided shield and jacket
H	750-192	Stainless steel conduit with single braided shield and jacket
J	750-192	Nickel/iron conduit with single braided shield and jacket

X-ON Electronics

Largest Supplier of Electrical and Electronic Components

Click to view similar products for [Circular MIL Spec Strain Reliefs & Adapters](#) category:

Click to view products by [Glenair](#) manufacturer:

Other Similar products are found below :

[896227-000](#) [899170S004](#) [0113-023-000](#) [6000-063-0022](#) [CS6624-000](#) [620AB038Z136](#) [620AS001Z108](#) [620AS038Z112](#) [620AS038Z120](#)
[620AS038Z132](#) [620FB038NF08](#) [620HA038NF09](#) [620HA038NF11](#) [620HA038NF13](#) [620HA038NF25](#) [620HB049NF17](#) [620HS038NF11](#)
[620HS038Z121](#) [620HS042XM19](#) [620HS042XM25](#) [620HS048B17](#) [620MS064NF12](#) [620MS065Z107](#) [620MS065ZNU06](#) [627-123NF21-11](#)
[627-125NF23-6](#) [630J041M06H](#) [630J041M20H](#) [637S010NF0212H](#) [637S010NF0416A](#) [640830-000](#) [659943-000](#) [66241-10A](#) [CW0597-000](#)
[CW0598-000](#) [CW0948-000](#) [CY0122-000](#) [M85049/41-6A W/B](#) [M85049/42-12DS](#) [M85049/47N8](#) [M85049/51-1-14S](#) [M85049/51S16S](#)
[M85049/60-1N16](#) [M85049/60-2G12W](#) [M85049/69-11N](#) [CZ3661-000](#) [D02922-000](#) [70.360.1628.0](#) [703797-000](#) [705825-000](#)