

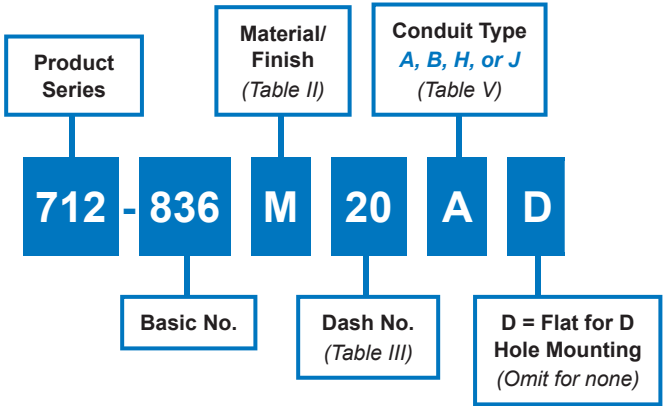


712-836
Heavy-Duty Environmental System - Metal
Advanced EMI/Sealing Conduit to Bulkhead Fitting
for Series 75 Metal-Core Conduit

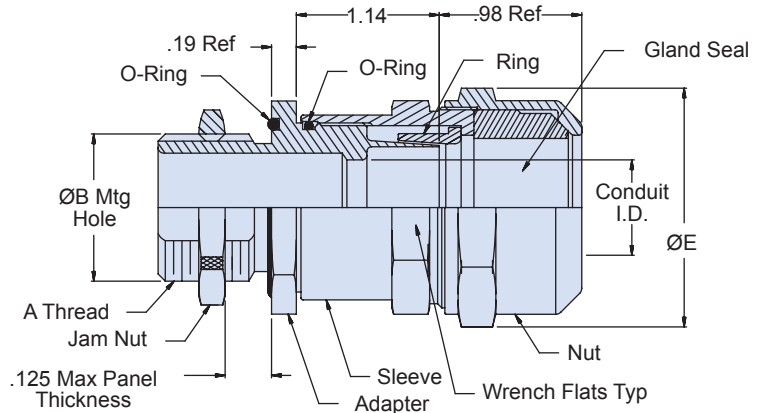
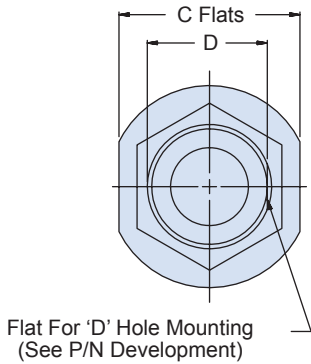
Metal Heavy-Duty Environmental System conduit-to-bulkhead fitting, with advanced EMI shielding and environmental sealing



How To Order



D



- Material and Finish**
- Adapter, Nuts, Sleeves & Rings: See Table II
 - O-Rings & Gland: Silicone Rubber/NA

712-836

Heavy-Duty Environmental System - Metal Advanced EMI/Sealing Conduit to Bulkhead Fitting for Series 75 Metal-Core Conduit

Series 75
Metal-Core Conduit

Table III: Dash No./Dimensions

Dash No	Conduit I.D.	A Thread	Ø B +.015 -.000	C Flats	D +.000 -.015	Ø E Max
08	0.250 (6.4)	1/2-20 UNF - 2A	0.505 (12.8)	0.875 (22.2)	0.438 (11.1)	1.18 (30.0)
12	0.375 (9.5)	5/8-24 UNEF - 2A	0.630 (16.0)	1.000 (25.4)	0.563 (14.3)	1.32 (33.5)
16	0.500 (12.7)	3/4-20 UNEF - 2A	0.755 (19.2)	1.250 (31.8)	0.688 (17.5)	1.45 (36.8)
20	0.625 (15.9)	7/8-20 UNEF - 2A	0.880 (22.4)	1.312 (33.3)	0.812 (20.6)	1.66 (42.2)
24	0.750 (19.1)	1.00-20 UNEF - 2A	1.005 (25.5)	1.500 (38.1)	0.938 (23.8)	1.79 (45.5)
32	1.000 (25.4)	1 5/16-18 UNEF - 2A	1.318 (33.5)	1.750 (44.5)	1.250 (31.8)	2.06 (52.3)
40	1.250 (31.8)	1 1/2-18 UNEF - 2A	1.505 (38.2)	2.000 (50.8)	1.438 (36.5)	2.32 (58.9)
48	1.500 (38.1)	1 3/4-18 UNS - 2A	1.755 (44.6)	2.250 (57.2)	1.688 (42.9)	2.59 (65.8)
64	2.000 (50.8)	2 1/4-16 UN - 2A	2.255 (57.3)	2.750 (69.9)	2.188 (55.6)	3.26 (82.8)
80	2.500 (63.5)	2 3/4-16 UN - 2A	2.755 (70.0)	3.250 (82.6)	2.688 (68.3)	3.80 (96.5)
96	3.000 (76.2)	3 1/4-16 UN - 2A	3.255 (82.7)	3.750 (95.3)	3.188 (81.0)	4.45 (113.0)

Table II: Material/Finish

Sym	Material	Finish Description
BO	Brass	Unplated
BN	Brass	Cad/O.D. Over Electroless Nickel (1,000 Hour Salt Spray)
BM	Brass	Electroless Nickel
BMT	Brass	Nickel-PTFE
M	Aluminum Alloy	Electroless Nickel
MT	Aluminum Alloy	Nickel-PTFE
NF	Aluminum Alloy	Cad/O.D. Over Electroless Nickel (1,000 Hour Salt Spray)
Z1	300 Series SST	Passivate
ZM	300 Series SST	Electroless Nickel
ZN	Aluminum Alloy	Zinc Nickel/Olive Drab over Electroless Nickel (1000 Hour Salt Spray)
ZW	300 Series SST	Cad O.D. Over Electroless Nickel

Table IV
Recommended Torque

Conduit Size Code	±5 Inch Pounds	
	Sleeve	Nut
08	120	40-60
12	120	↑
16	140	
20	140	
24	150	
32	170	
40	170	
48	170	
64	170	
80	170	
96	170	↓ 40-60

Table V: Conduit Type

Conduit Type	Part Number	Configuration
A	750-192	Brass conduit with single braided shield and jacket
B	750-194	Brass conduit with double braided shield and jacket
H	750-192	Stainless steel conduit with single braided shield and jacket
J	750-192	Nickel/iron conduit with single braided shield and jacket

D

X-ON Electronics

Largest Supplier of Electrical and Electronic Components

Click to view similar products for [Circular MIL Spec Strain Reliefs & Adapters](#) category:

Click to view products by [Glenair](#) manufacturer:

Other Similar products are found below :

[896227-000](#) [899170S004](#) [6000-063-0022](#) [613751-000](#) [CS6624-000](#) [620AB038Z136](#) [620AS001Z108](#) [620AS038Z112](#) [620AS038Z120](#)
[620AS038Z132](#) [620FB038NF08](#) [620HA038NF13](#) [620HA038NF25](#) [620HA042XM13](#) [620HB049NF17](#) [620HS011NF21](#) [620HS038NF11](#)
[620HS038Z121](#) [620HS042XM19](#) [620HS042XM25](#) [620HS042XW13](#) [620HS048B17](#) [620MS064NF09](#) [620MS064NF12](#) [620MS065M12](#)
[620MS065Z107](#) [620MS065ZNU06](#) [630J041M06H](#) [630J041M20H](#) [637S010NF0212H](#) [640830-000](#) [659943-000](#) [66241-10A](#) [CW0597-000](#)
[CW0598-000](#) [CW0948-000](#) [CY0122-000](#) [M85049/41-6A W/B](#) [M85049/42-12DS](#) [M85049/47N8](#) [M85049/47W18](#) [M85049/51-1-14S](#)
[M85049/51-1-8W](#) [M85049/51S16S](#) [M85049/60-1N16](#) [M85049/60-2G12W](#) [M85049/69-11N](#) [CZ3661-000](#) [D02922-000](#) [70.360.1628.0](#)