



712-839
Guardian System - Metal
Convoluted Tubing to Connector Universal Backshell
for Series 72 Annular Convoluted Tubing

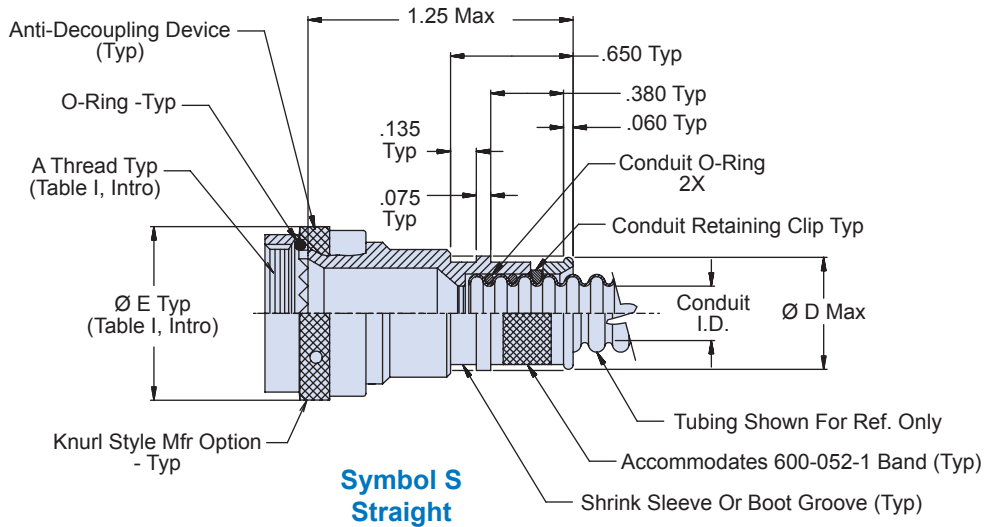
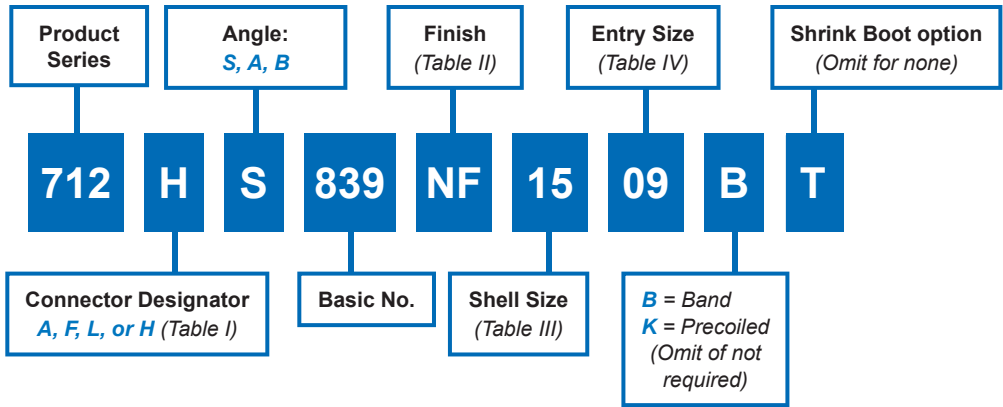
Metal Guardian System universal convoluted tubing to connector and adapter backshell, self locking, EMI/RFI environmental

How To Order



Self-Locking

B



Material and Finish

- Adapters, elbows, coupling nut: See Table II
- O-Rings: Silicone/NA
- Retaining clip: High grade engineering thermoplastic/NA
- Anti-decoupling device: Corrosion resistant material

Tools and Assembly notes

- Conduit retaining clip and conduit O-Ring to be supplied unassembled
- For effective grounding, connector with conductive Finish should be used
- Glenair assembly procedure is recommended for adapter to conduit termination. See Guardian assembly procedure at the end of this section
- Interfacial O-Ring not supplied with Connector Designator "A"

712-839
Guardian System - Metal
Convoluted Tubing to Connector Universal Backshell
for Series 72 Annular Convoluted Tubing

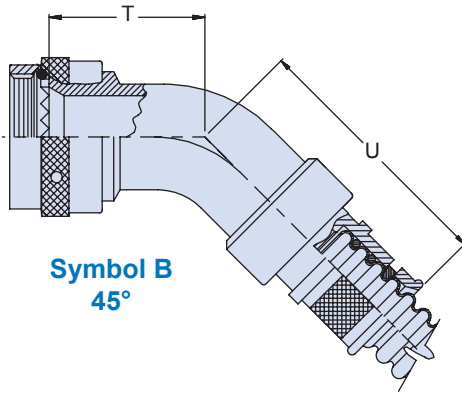


Table III: Shell Size/Dimensions					
Shell Size		T	U	V	W
A,F,L	H	Max	Max	Max	Max
08	09	0.600 (15.2)	1.610 (40.9)	0.680 (17.3)	1.780 (45.2)
10	11	0.630 (16.0)	1.800 (45.7)	0.770 (19.6)	1.880 (47.8)
12	13	0.660 (16.8)	1.850 (47.0)	0.800 (20.3)	1.880 (47.8)
14	15	0.690 (17.5)	1.920 (48.8)	0.880 (22.4)	1.920 (48.8)
16	17	0.820 (20.8)	2.050 (52.1)	1.060 (26.9)	2.030 (51.6)
18	19	0.970 (24.6)	2.230 (56.6)	1.150 (29.2)	2.210 (56.1)
20	21	0.970 (24.6)	2.280 (57.9)	1.150 (29.2)	2.250 (57.2)
22	23	1.000 (25.4)	2.420 (61.5)	1.300 (33.0)	2.360 (59.9)
24	25	1.000 (25.4)	2.470 (62.7)	1.300 (33.0)	2.410 (61.2)
28	33	1.125 (28.6)	2.560 (65.0)	1.400 (35.6)	2.630 (66.8)
32	37	1.250 (31.8)	2.645 (67.2)	1.750 (44.5)	2.920 (74.2)

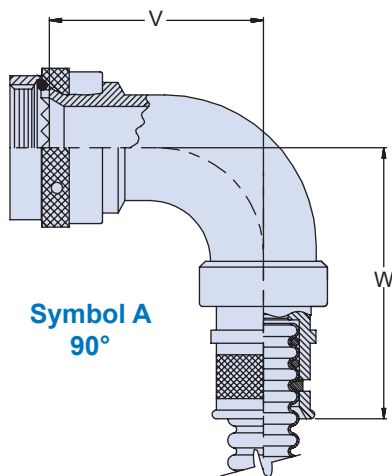


Table IV: Entry Code/Dimensions/Shrink Boot				
Entry Code	Ø D Max	Conduit I.D.		T Shrink Boot
		Min	Max	
06	.53 (13.5)	.16 (4.1)	.19 (4.8)	770-001S103
09	.63 (16.0)	.24 (6.1)	.28 (7.1)	770-001S103
12	.73 (18.5)	.33 (8.4)	.37 (9.4)	770-001S104
16	.86 (21.8)	.45 (11.4)	.50 (12.7)	770-001S104
20	.98 (24.9)	.57 (14.5)	.62 (15.8)	770-001S105
24	1.15 (29.2)	.69 (17.5)	.75 (19.1)	770-001S106
28	1.27 (32.3)	.81 (20.6)	.87 (22.2)	770-001S107
32	1.40 (35.6)	.93 (23.6)	1.00 (25.4)	770-001S107
36	1.53 (38.9)	1.07 (27.2)	1.13 (28.7)	770-001S107
40	1.62 (41.1)	1.18 (30.0)	1.25 (31.8)	770-001S107
48	1.98 (50.3)	1.45 (36.8)	1.50 (38.1)	770-001S108
52	2.07 (52.6)	1.58 (40.1)	1.63 (41.4)	770-001S108
56	2.14 (54.4)	1.70 (43.2)	1.75 (44.4)	770-001S108

Table II: Finish		
Sym	Material	Finish Description
C	Aluminum	Anodize, Black (Non-conductive)
M		Electroless Nickel
MT		Nickel-PTFE
NF		Cad/Olive Drab over Electroless Nickel
UCR		Zinc Cobalt/Black
ZN		Zinc Nickel/Olive Drab over Electroless Nickel
ZNU		Zinc Nickel/Black over Electroless Nickel
Z1		Passivate
ZM	Stainless Steel	Electroless Nickel
ZMT		Nickel-PTFE
ZW		CAD O.D. over Electroless Nickel

X-ON Electronics

Largest Supplier of Electrical and Electronic Components

Click to view similar products for [Circular MIL Spec Strain Reliefs & Adapters](#) category:

Click to view products by [Glenair](#) manufacturer:

Other Similar products are found below :

[0113-023-000](#) [CS6624-000](#) [620AB038Z136](#) [620AS001Z108](#) [620AS038Z112](#) [620AS038Z120](#) [620AS038Z132](#) [620FB038NF08](#)
[620HA038NF09](#) [620HA038NF11](#) [620HA038NF13](#) [620HA038NF25](#) [620HB049NF17](#) [620HS038NF11](#) [620HS038Z121](#) [620HS042XM19](#)
[620HS042XM25](#) [620HS048B17](#) [620MS064NF12](#) [620MS065ZNU06](#) [M28840/24BA](#) [659943-000](#) [CW0598-000](#) [CW0948-000](#) [CY0122-000](#)
[M85049/41-6A W/B](#) [M85049/42-12DS](#) [M85049/47N8](#) [M85049/51-1-14S](#) [M85049/51S16S](#) [M85049/60-1N16](#) [M85049/60-2G12W](#)
[M85049/69-11N](#) [M85049/74-10-1](#) [CZ3661-000](#) [D20420-099](#) [70.360.1628.0](#) [703797-000](#) [D38999/24WG41PA L/C](#) [75885](#) [F77132-000](#)
[792625-000](#) [804567-000](#) [808298-000](#) [844377-000](#) [G65062-12](#) [G8023-2013-9N](#) [G8252-8NF](#) [G8377-21B](#) [G8377-21M](#)