

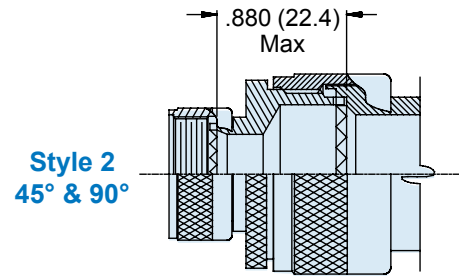
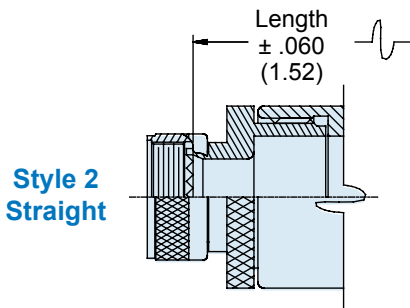
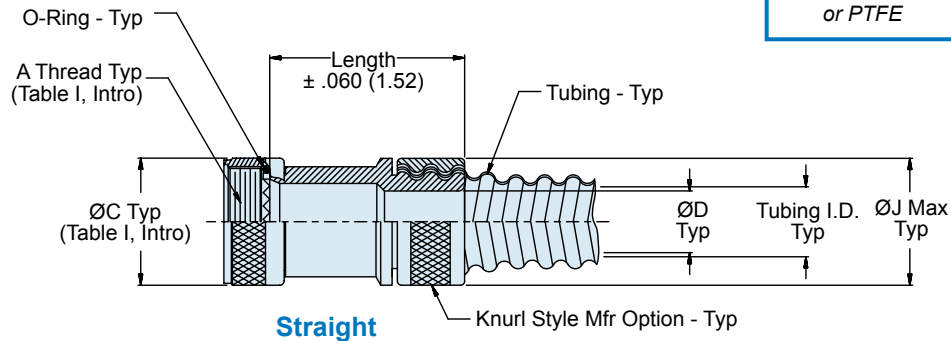
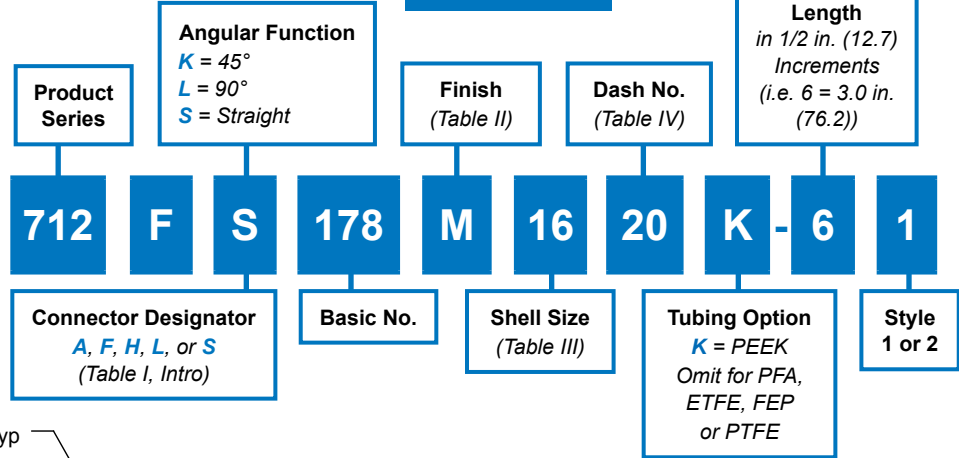


712-178
Hammer Nut System
Conduit to Connector Backshell
for Standard or PEEK Series 74 Helical Convoluted Tubing

Metal backshell with compression hammer nut for easy termination of conduit.
Available for use with a wide range of connectors



How To Order



Material/Finish

- Adapters, elbows, coupling nuts, and ferrules: See Table II
- O-Rings: Silicone/N.A.

Notes

- When tubing I.D. max exceeds inside diameter of connector shell, style 2 may be supplied. Refer to Intro, pages A-32 – A-33.
- O-Ring not supplied with connector designator A.
- Standard minimum length for Style I is 1.50 inch, for Style II is 2.00 inches. Consult factory for shorter lengths. Note: applies to Symbol S, Straight, only.

712-178
Hammer Nut System
 Conduit to Connector Backshell
 for Standard or PEEK Series 74 Helical Convoluted Tubing

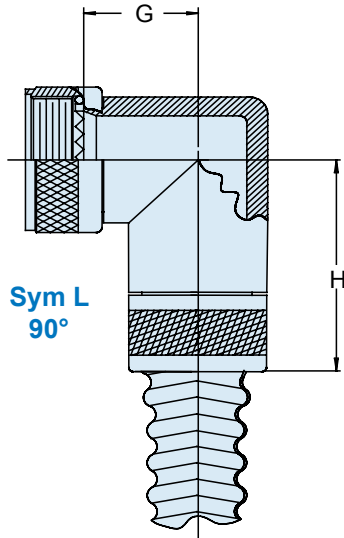


Table III: Shell Size/Dimensions

Shell Size		E		F		G		H	
A, F, L, S	H	Max		Max		Max		Max	
08	09	.639	(16.2)	.950	(24.1)	.750	(19.1)	1.060	(26.9)
10	11	.664	(16.9)	.980	(24.9)	.810	(20.6)	1.120	(28.4)
12	13	.688	(17.5)	1.000	(25.4)	.870	(22.1)	1.180	(30.0)
14	15	.705	(17.9)	1.030	(26.2)	.920	(23.4)	1.250	(31.8)
16	17	.732	(18.6)	1.050	(26.7)	.980	(24.9)	1.310	(33.3)
18	19	.748	(19.0)	1.060	(26.9)	1.020	(25.9)	1.330	(33.8)
20	21	.773	(19.6)	1.080	(27.4)	1.080	(27.4)	1.390	(35.3)
22	23	.800	(20.3)	1.120	(28.4)	1.140	(29.0)	1.470	(37.3)
24	25	.823	(20.9)	1.150	(29.2)	1.200	(30.5)	1.540	(39.1)
28	-	1.041	(26.4)	1.320	(33.5)	1.480	(37.6)	1.780	(45.2)
32	-	1.092	(27.7)	1.360	(34.5)	1.610	(40.9)	1.870	(47.5)
36	-	1.138	(28.9)	1.410	(35.8)	1.720	(43.7)	1.980	(50.3)

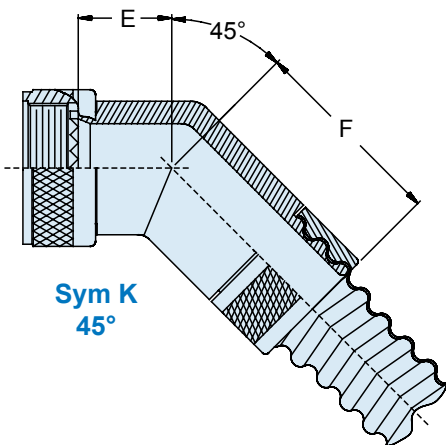


Table II: Finish

Sym	Material	Finish Description
M	Aluminum Alloy	Electroless Nickel
MT	Aluminum Alloy	Nickel-PTFE
NF	Aluminum Alloy	Cad/O.D. Over Electroless Nickel (1,000 Hour Salt Spray)
Z1	300 Series SST	Passivate
ZM	300 Series SST	Electroless Nickel
ZN	Aluminum Alloy	Zinc Nickel/O.D. Over Electroless Nickel (1,000 Hour Salt Spray)
ZW	300 Series SST	Cad O.D. Over Electroless Nickel

Table IV: Dash No./Tubing Size

Dash No.	Tubing I.D.		D Dia		J Dia Max
	Min	Max	Std Fluoropolymer	PEEK	
06	.181 (4.60)	.188 (4.80)	.188 (4.8)	.115 (2.9)	.530 (13.5)
09	.273 (6.93)	.281 (7.14)	.265 (6.7)	.210 (5.3)	.590 (15.0)
10	.306 (7.80)	.312 (7.90)	.265 (6.7)	.235 (6.0)	.660 (16.8)
12	.364 (9.20)	.375 (9.53)	.325 (8.3)	.320 (8.1)	.710 (18.0)
14	.427 (10.8)	.437 (11.1)	.390 (9.9)	.365 (9.3)	.780 (19.8)
16	.485 (12.3)	.500 (12.7)	.470 (11.9)	.425 (10.8)	.840 (21.3)
20	.608 (15.4)	.625 (15.9)	.595 (15.1)	.550 (14.0)	.970 (24.6)
24	.730 (18.5)	.750 (19.1)	.735 (18.7)	.680 (17.3)	1.160 (29.5)
28	.860 (21.8)	.875 (22.2)	.875 (22.2)	.790 (20.1)	1.310 (33.3)
32	.975 (24.8)	1.000 (25.4)	.975 (24.8)	.915 (23.2)	1.410 (35.8)
40	1.210 (30.7)	1.250 (31.8)	1.192 (30.3)	1.165 (29.6)	1.720 (43.7)
48	1.437 (36.5)	1.500 (38.1)	1.445 (36.7)	1.415 (35.9)	2.010 (51.1)
56	1.688 (42.9)	1.750 (44.5)	1.690 (42.9)	1.660 (42.2)	2.280 (57.9)
64	1.937 (49.2)	2.000 (50.8)	2.000 (50.8)	1.905 (48.4)	2.420 (61.5)

X-ON Electronics

Largest Supplier of Electrical and Electronic Components

Click to view similar products for [Circular MIL Spec Strain Reliefs & Adapters](#) category:

Click to view products by [Glenair](#) manufacturer:

Other Similar products are found below :

[896227-000](#) [899170S004](#) [0113-023-000](#) [6000-063-0022](#) [CS6624-000](#) [620AB038Z136](#) [620AS001Z108](#) [620AS038Z112](#) [620AS038Z120](#)
[620AS038Z132](#) [620FB038NF08](#) [620HA038NF09](#) [620HA038NF11](#) [620HA038NF13](#) [620HA038NF25](#) [620HB049NF17](#) [620HS038NF11](#)
[620HS038Z121](#) [620HS042XM19](#) [620HS042XM25](#) [620HS048B17](#) [620MS064NF12](#) [620MS065Z107](#) [620MS065ZNU06](#) [627-123NF21-11](#)
[627-125NF23-6](#) [630J041M06H](#) [630J041M20H](#) [637S010NF0212H](#) [637S010NF0416A](#) [640830-000](#) [659943-000](#) [66241-10A](#) [CW0597-000](#)
[CW0598-000](#) [CW0948-000](#) [CY0122-000](#) [M85049/41-6A W/B](#) [M85049/42-12DS](#) [M85049/47N8](#) [M85049/51-1-14S](#) [M85049/51S16S](#)
[M85049/60-1N16](#) [M85049/60-2G12W](#) [M85049/69-11N](#) [CZ3661-000](#) [D02922-000](#) [70.360.1628.0](#) [703797-000](#) [705825-000](#)