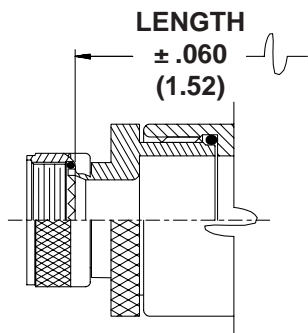
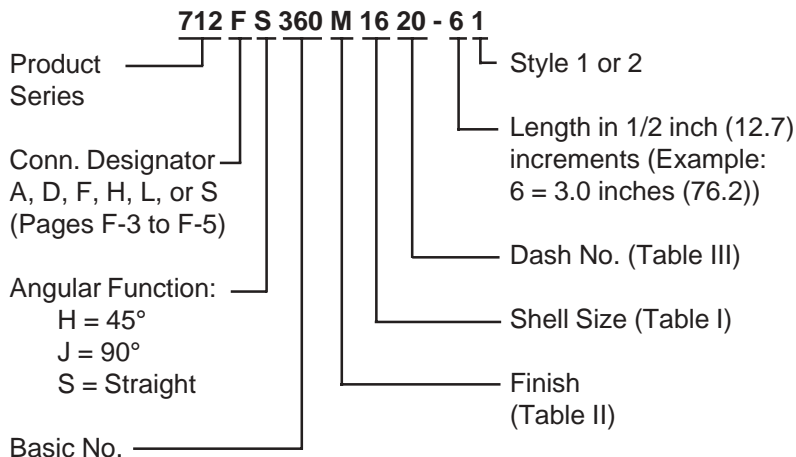




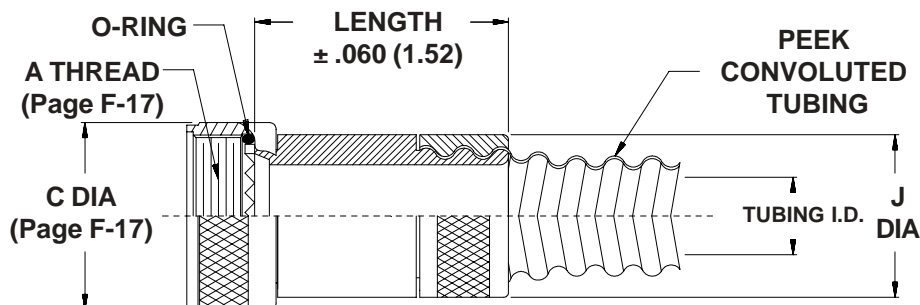
**712-360 - Type A**  
Straight, 45° & 90° Non-Environmental User-Installable  
Connector Fitting for PEEK Series 74 Helical Convulsed Tubing

**TYPE  
A**

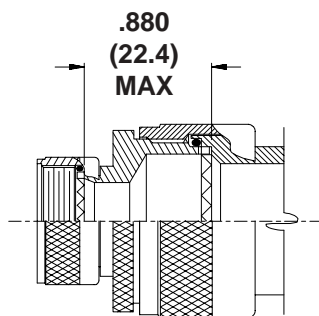
For use with PEEK  
convulsed tubing  
only - Part number  
120-100-1-1-XX  
(page D-3).



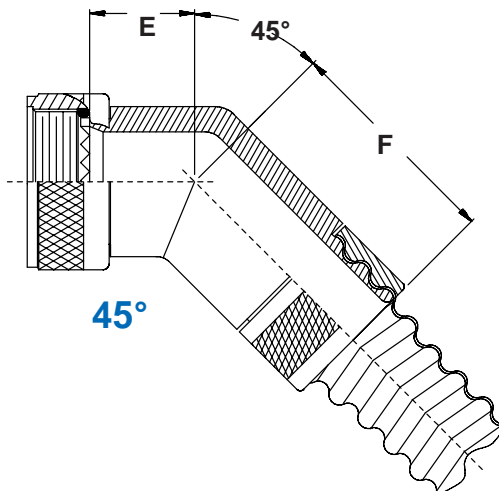
**STYLE 2  
STRAIGHT**



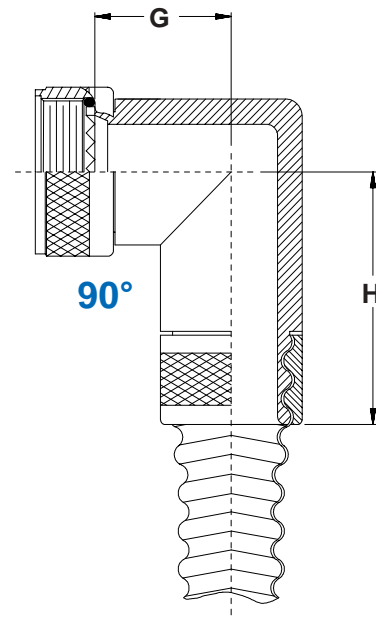
**STRAIGHT**



**STYLE 2  
45° & 90°**



**45°**



**90°**

**712-360 - Type A**  
**Straight, 45° & 90° Non-Environmental User-Installable**  
**Connector Fitting for PEEK Series 74 Helical Convolved Tubing**



SHELL SIZE		E	F	G	H
A,D, F,L,S	H	MAX	MAX	MAX	MAX
08	09	.639 (16.2)	.950 (24.1)	.750 (19.1)	1.060 (26.9)
10	11	.664 (16.9)	.980 (24.9)	.810 (20.6)	1.120 (28.4)
12	13	.688 (17.5)	1.000 (25.4)	.870 (22.1)	1.180 (30.0)
14	15	.705 (17.9)	1.030 (26.2)	.920 (23.4)	1.250 (31.8)
16	17	.732 (18.6)	1.050 (26.7)	.980 (24.9)	1.310 (33.3)
18	19	.748 (19.0)	1.060 (26.9)	1.020 (25.9)	1.330 (33.8)
20	21	.773 (19.6)	1.080 (27.4)	1.080 (27.4)	1.390 (35.3)
22	23	.800 (20.3)	1.120 (28.4)	1.140 (29.0)	1.470 (37.3)
24	25	.823 (20.9)	1.150 (29.2)	1.200 (30.5)	1.540 (39.1)
28	--	1.041 (26.4)	1.320 (33.5)	1.480 (37.6)	1.780 (45.2)
32	--	1.092 (27.7)	1.360 (34.5)	1.610 (40.9)	1.870 (47.5)
36	--	1.138 (28.9)	1.410 (35.8)	1.720 (43.7)	1.980 (50.3)

SYMBOL	FINISH
B	Olive Drab over Cadmium Plate
J	Gold Iridite over Cadmium Plate over Nickel
M	Electroless Nickel
N	Olive Drab over Cadmium Plate over Nickel
NC	Zinc-Cobalt, Olive Drab
NF	Olive Drab over Cadmium Plate over Electroless Nickel (500 Hour Salt Spray)
T	Bright Dip Cadmium Plate over Nickel

Dash No.	Tubing I.D.		D Dia	J Max
	Min	Max		
06	.181 (4.6)	.187 (4.7)	.115 (2.9)	.720 (18.3)
09	.273 (6.9)	.281 (7.1)	.210 (5.3)	.821 (20.9)
12	.364 (9.2)	.375 (9.5)	.320 (8.1)	.915 (20.9)
16	.485 (12.3)	.500 (12.7)	.420 (10.7)	1.040 (26.4)
20	.608 (15.4)	.625 (15.9)	.550 (14.0)	1.165 (29.6)
24	.730 (18.5)	.750 (19.1)	.680 (17.3)	1.290 (32.8)
32	.975 (24.8)	1.000 (25.4)	.915 (23.2)	1.540 (39.1)
40	1.210 (30.7)	1.250 (31.8)	1.165 (29.6)	1.790 (45.5)
48	1.471 (37.4)	1.500 (38.1)	1.415 (35.9)	2.040 (51.8)
56	1.721 (42.9)	1.750 (44.5)	1.660 (42.1)	2.290 (58.2)
64	1.971 (49.2)	2.000 (50.8)	1.905 (48.4)	2.540 (65.4)

- APPLICATION NOTES**
1. Metric dimensions (mm) are in parentheses.
  2. When tubing I.D. max exceeds inside diameter of connector shell, style 2 may be supplied. Refer to pages F-15 and F-16.
  3. Tubing shown for reference only.
  4. O-Ring not supplied with connector designator A.

## X-ON Electronics

Largest Supplier of Electrical and Electronic Components

*Click to view similar products for [Circular MIL Spec Strain Reliefs & Adapters](#) category:*

*Click to view products by [Glenair](#) manufacturer:*

Other Similar products are found below :

[896227-000](#) [899170S004](#) [0113-023-000](#) [6000-063-0022](#) [CS6624-000](#) [620AB038Z136](#) [620AS001Z108](#) [620AS038Z112](#) [620AS038Z120](#)  
[620AS038Z132](#) [620FB038NF08](#) [620HA038NF09](#) [620HA038NF11](#) [620HA038NF13](#) [620HA038NF25](#) [620HB049NF17](#) [620HS038NF11](#)  
[620HS038Z121](#) [620HS042XM19](#) [620HS042XM25](#) [620HS048B17](#) [620MS064NF12](#) [620MS065Z107](#) [620MS065ZNU06](#) [627-123NF21-11](#)  
[627-125NF23-6](#) [630J041M06H](#) [630J041M20H](#) [637S010NF0212H](#) [637S010NF0416A](#) [640830-000](#) [659943-000](#) [66241-10A](#) [CW0597-000](#)  
[CW0598-000](#) [CW0948-000](#) [CY0122-000](#) [M85049/41-6A W/B](#) [M85049/42-12DS](#) [M85049/47N8](#) [M85049/51-1-14S](#) [M85049/51S16S](#)  
[M85049/60-1N16](#) [M85049/60-2G12W](#) [M85049/69-11N](#) [CZ3661-000](#) [D02922-000](#) [70.360.1628.0](#) [703797-000](#) [705825-000](#)