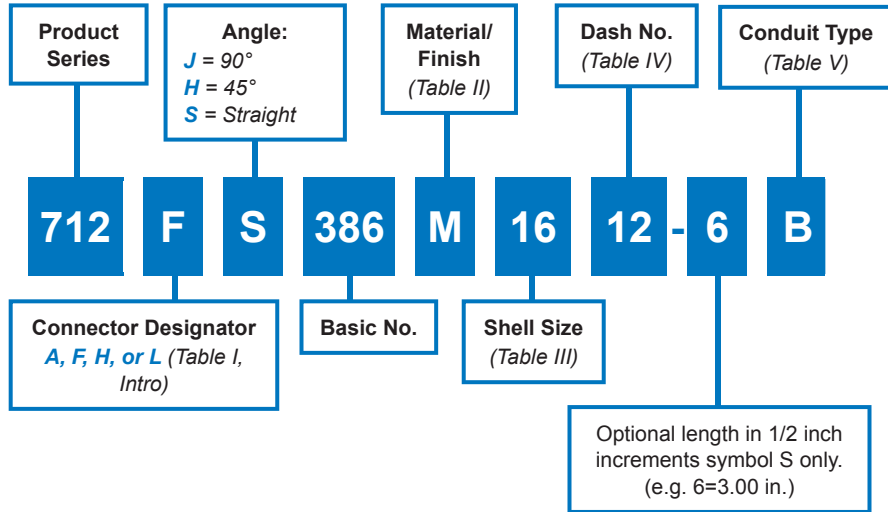


712-386
Legacy MIL-C-24758 (Superseded)
Environmental EMI/RFI Conduit to Connector Backshell
for Series 75 Metal-Core Conduit

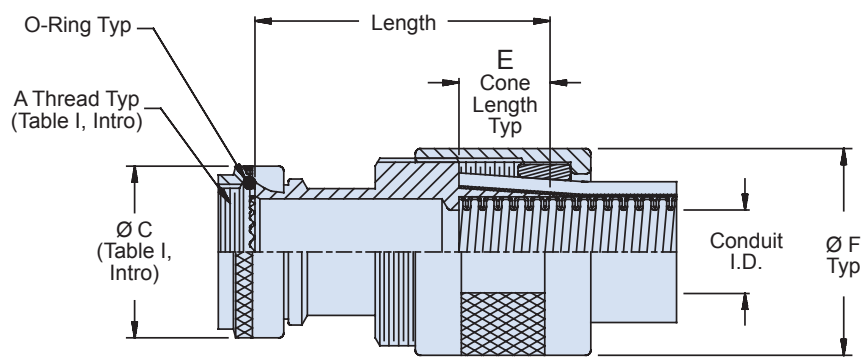
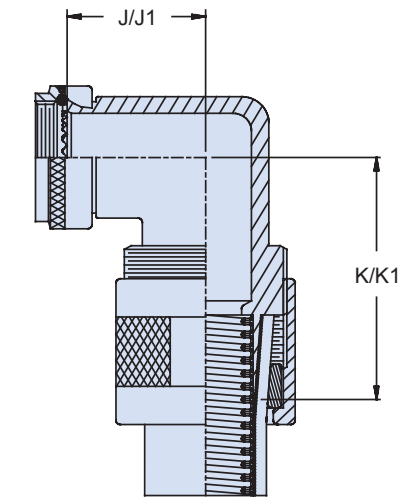
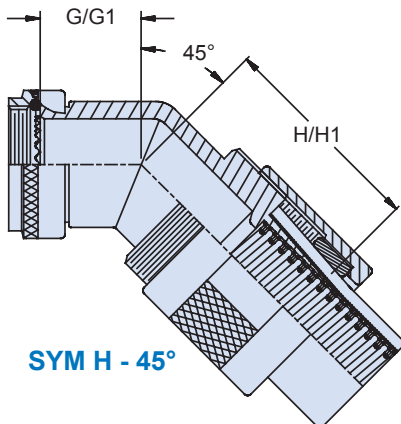
Legacy MIL-C-24758 conduit-to-connector backshell (Superseded by MIL-PRF-24758A [SH])



How To Order



D



Material/Finish

- Adapters, Elbows, Coupling Nuts, Nuts, Ring: See Table II
- O-Rings: Silicone/NA

Notes

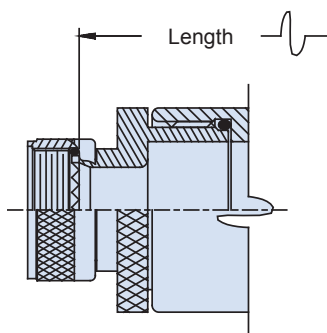
- O-Ring not supplied with connector designator A
- F dimension is based on type A conduit. Add .125 (3.2) to listed dimensions for additional shield types B or D.
- When tubing I.D. max exceeds inside diameter of connector shell, style 2 will be supplied. Refer to pages A-32 – A-33.

712-386

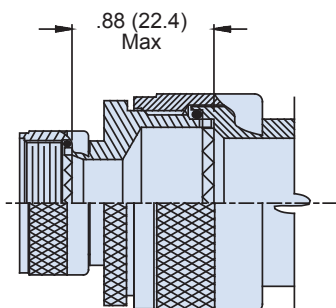
Legacy MIL-C-24758 (Superseded)
Environmental EMI/RFI Conduit to Connector Backshell
for Series 75 Metal-Core Conduit



Series 75
 Metal-Core Conduit



Style 2
(Straight)



Style 2
(45° & 90°)

Table III: Shell Size/Dimensions

Shell Size		G Max	H Max	J Max	K Max
A,F,L	H				
08	09	.639 (16.2)	1.700 (43.2)	.750 (19.1)	1.810 (46.0)
10	11	.654 (16.6)	1.730 (43.9)	.810 (20.6)	1.870 (47.5)
12	13	.688 (17.5)	1.750 (44.5)	.870 (22.1)	1.930 (49.0)
14	15	.705 (17.9)	1.780 (45.2)	.920 (23.4)	2.000 (50.8)
16	17	.732 (18.6)	1.800 (45.7)	.980 (24.9)	2.060 (52.3)
18	19	.748 (19.0)	1.810 (46.0)	1.020 (25.9)	2.080 (52.8)
20	21	.773 (19.6)	2.020 (51.3)	1.080 (27.4)	2.390 (60.7)
22	23	.800 (20.3)	2.060 (52.3)	1.140 (29.0)	2.470 (62.7)
24	25	.823 (20.9)	2.090 (53.1)	1.200 (30.5)	2.540 (64.5)
28		1.041 (26.4)	2.320 (58.9)	1.480 (37.6)	2.780 (70.6)
32		1.092 (27.7)	2.360 (59.9)	1.610 (40.9)	2.870 (72.9)
36		1.138 (28.9)	2.410 (61.2)	1.720 (43.7)	2.960 (75.2)
40		1.184 (30.1)	2.450 (62.2)	1.830 (46.5)	3.070 (78.0)
44		1.235 (31.4)	2.500 (63.5)	1.950 (49.5)	3.200 (81.3)
48		1.287 (32.7)	2.550 (64.8)	2.080 (52.8)	3.320 (84.3)
61		1.003 (25.5)	2.270 (57.7)	1.390 (35.3)	2.380 (60.5)

Table IV Dash No./Dimensions

Dash No	Conduit I.D.	E	Ø F Max	G1 Max	H1 Max	J1 Max	K1 Max
08	.250 (6.4)	.75 (19.1)	1.16 (29.5)	.639 (16.2)	1.700 (43.2)	.750 (19.1)	1.810 (46.0)
12	.375 (9.5)	.75 (19.1)	1.34 (34.0)	.654 (16.6)	1.730 (43.9)	.810 (20.6)	1.870 (47.5)
16	.500 (12.7)	.75 (19.1)	1.46 (37.1)	.688 (17.5)	1.750 (44.5)	.870 (22.1)	1.930 (49.0)
20	.625 (15.9)	.75 (19.1)	1.65 (41.9)	.705 (17.9)	1.780 (45.2)	.920 (23.4)	2.000 (50.8)
24	.750 (19.1)	.75 (19.1)	1.84 (46.7)	.732 (18.6)	1.800 (45.7)	.980 (24.9)	2.060 (52.3)
32	1.000 (25.4)	1.00 (25.4)	2.02 (51.3)	.773 (19.6)	2.020 (51.3)	1.080 (27.4)	2.390 (60.7)
40	1.250 (31.8)	1.00 (25.4)	2.34 (59.4)	.823 (20.9)	2.090 (53.1)	1.200 (30.5)	2.540 (64.5)
48	1.500 (38.1)	1.00 (25.4)	2.72 (69.1)	1.041 (26.4)	2.360 (59.9)	1.480 (37.6)	2.870 (72.9)
56	1.750 (44.5)	1.00 (25.4)	2.96 (75.2)	1.062 (27.0)	2.410 (61.2)	1.550 (39.4)	2.960 (75.2)
64	2.000 (50.8)	1.00 (25.4)	3.22 (81.8)	1.092 (27.7)	2.450 (62.2)	1.610 (40.9)	3.070 (78.0)
80	2.500 (63.5)	1.00 (25.4)	3.86 (98.0)	1.190 (30.2)	2.550 (64.8)	1.860 (47.2)	3.320 (84.3)
96	3.000 (76.2)	1.00 (25.4)	4.38 (111.3)	1.250 (31.8)	2.610 (66.3)	1.990 (50.5)	3.450 (87.6)

Table II: Finish

Symbol	Material	Finish
A	Aluminum Alloy, 6061	Cadmium, Olive Drab, per QQ-P-416 over Electroless Nickel per ASTM B733-90 and MIL-C-26074, 1000 Hour Salt Spray
B	Brass, ASTM B16	
C	Corrosion Resistant Steel 300 Series	Passivate per QQ-P-35
M	Aluminum Alloy, 6061	Electroless Nickel per ASTM B733-90 and MIL-C-26074
NC	Aluminum Alloy, 6061	Zinc Cobalt, Olive Drab
S	Carbon Steel, B1113	Cadmium, Olive Drab, per QQ-P-416, over Electroless Nickel per ASTM B733-90 and MIL-C-26074, 500 Hour Salt Spray

Table V: Conduit Type

Conduit Type	Part Number	Configuration
A	750-192	Brass conduit with single braided shield and jacket
B	750-194	Brass conduit with double braided shield and jacket
D	750-196	Brass conduit with triple braided shield and jacket
H	750-192	Stainless steel conduit with single braided shield and jacket
J	750-192	Nickel/iron conduit with single braided shield and jacket

D

X-ON Electronics

Largest Supplier of Electrical and Electronic Components

Click to view similar products for [Circular MIL Spec Strain Reliefs & Adapters](#) category:

Click to view products by [Glenair](#) manufacturer:

Other Similar products are found below :

[896227-000](#) [899170S004](#) [0113-023-000](#) [6000-063-0022](#) [CS6624-000](#) [620AB038Z136](#) [620AS001Z108](#) [620AS038Z112](#) [620AS038Z120](#)
[620AS038Z132](#) [620FB038NF08](#) [620HA038NF09](#) [620HA038NF11](#) [620HA038NF13](#) [620HA038NF25](#) [620HB049NF17](#) [620HS038NF11](#)
[620HS038Z121](#) [620HS042XM19](#) [620HS042XM25](#) [620HS048B17](#) [620MS064NF12](#) [620MS065Z107](#) [620MS065ZNU06](#) [627-123NF21-11](#)
[627-125NF23-6](#) [630J041M06H](#) [630J041M20H](#) [637S010NF0212H](#) [637S010NF0416A](#) [640830-000](#) [659943-000](#) [66241-10A](#) [CW0597-000](#)
[CW0598-000](#) [CW0948-000](#) [CY0122-000](#) [M85049/41-6A W/B](#) [M85049/42-12DS](#) [M85049/47N8](#) [M85049/51-1-14S](#) [M85049/51S16S](#)
[M85049/60-1N16](#) [M85049/60-2G12W](#) [M85049/69-11N](#) [CZ3661-000](#) [D02922-000](#) [70.360.1628.0](#) [703797-000](#) [705825-000](#)