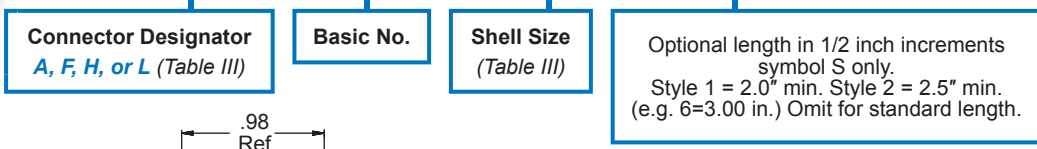
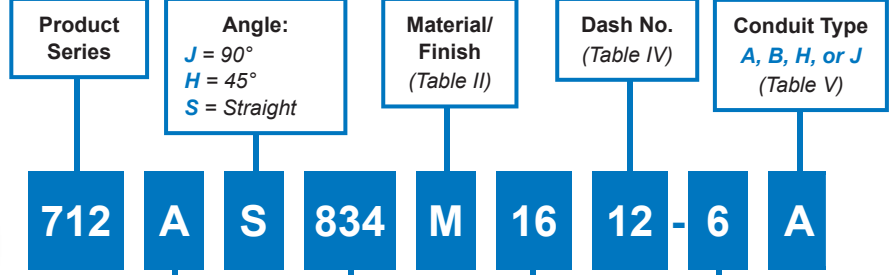




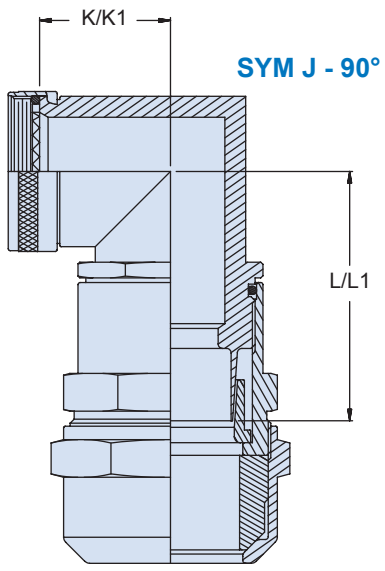
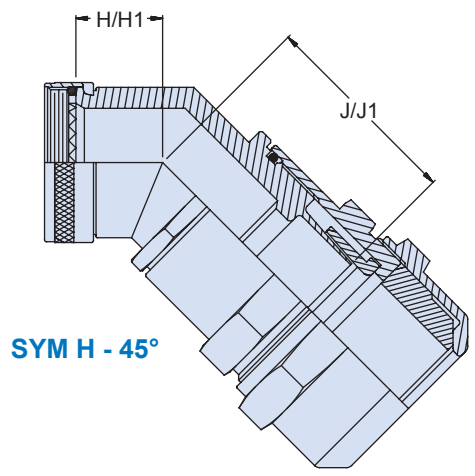
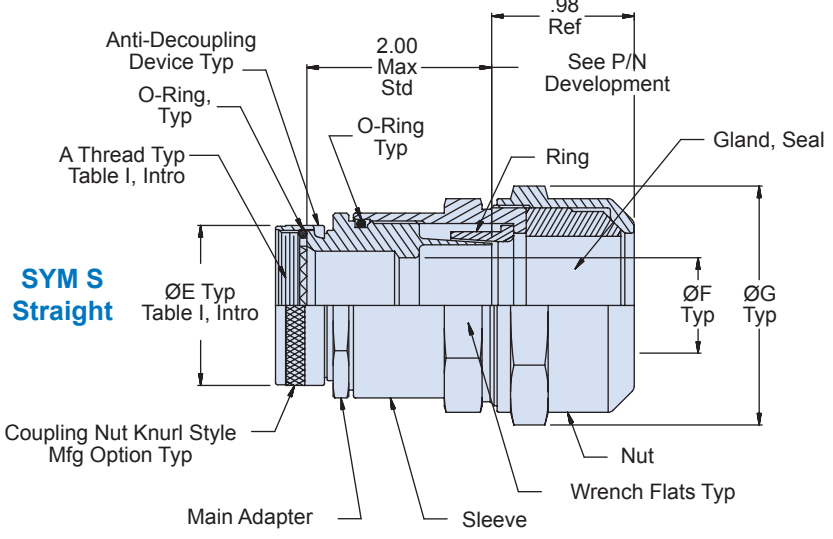
712-834
Heavy-Duty Environmental System - Metal
Metal Self-Locking, Advanced EMI/Sealing Conduit to Connector
Backshell for Series 75 Metal-Core Conduit

Metal Heavy-Duty Environmental System conduit-to-connector backshell, self-locking with advanced EMI shielding and environmental sealing

How To Order



D



Material and Finish

- Adapters, Elbows, Nuts, Sleeve & Ring: See Table II
- O-Rings & Gland: Silicone Rubber/NA
- Anti-Decoupling Device: Corrosion Resistant Material

Specifications

- When conduit diameter exceeds max dash no. (Table III) Style 2 will be supplied (also see pages A-32 – A-33). Dimensions H1, J1, K1 and L1 apply to Style 2 angular fittings.
- O-Ring not supplied with connector designator A

712-834

**Heavy-Duty Environmental System - Metal
Metal Self-Locking, Advanced EMI/Sealing Conduit to Connector
Backshell for Series 75 Metal-Core Conduit**



Series 75
Metal-Core Conduit

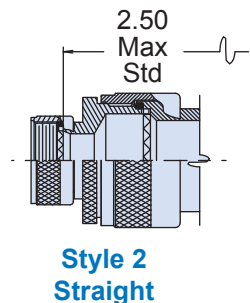


Table III: Shell Size/Dimensions

Shell Size		Max Dash No Style I	H Max	J Max	K Max	L Max
A, F, L	H					
08	09	08	0.71 (18.0)	1.63 (41.4)	0.88 (22.4)	1.90 (48.3)
10	11	12	0.74 (18.8)	1.66 (42.2)	0.95 (24.1)	1.97 (50.0)
12	13	16	0.76 (19.3)	1.70 (43.2)	1.02 (25.9)	2.07 (52.6)
14	15	20	0.79 (20.1)	1.73 (43.9)	1.12 (28.4)	2.14 (54.4)
16	17	24	0.81 (20.6)	1.76 (44.7)	1.19 (30.2)	2.21 (56.1)
18	19	24	0.83 (21.1)	1.78 (45.2)	1.19 (30.2)	2.21 (56.1)
20	21	32	0.86 (21.8)	1.82 (46.2)	1.32 (33.5)	2.38 (60.5)
22	23	32	0.88 (22.4)	1.85 (47.0)	1.32 (33.5)	2.38 (60.5)
24	25	40	0.92 (23.4)	1.88 (47.8)	1.45 (36.8)	2.52 (64.0)
28		40	1.07 (27.2)	1.91 (48.5)	1.52 (38.6)	2.52 (64.0)
32		48	1.12 (28.4)	1.97 (50.0)	1.66 (42.2)	2.65 (67.3)
36		48	1.16 (29.5)	2.01 (51.1)	1.66 (42.2)	2.73 (69.3)
40		64	1.21 (30.7)	2.07 (52.6)	1.99 (50.5)	2.97 (75.4)
44		64	1.26 (32.0)	2.11 (53.6)	1.99 (50.5)	3.09 (78.5)
48		80	1.31 (33.3)	2.18 (55.4)	2.26 (57.4)	3.21 (81.5)
61		40	0.92 (23.4)	1.87 (47.5)	1.45 (36.8)	2.52 (64.0)

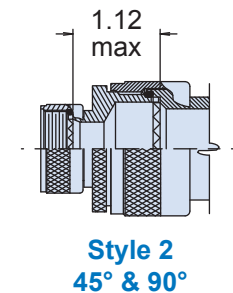


Table IV Dash No./Dimensions

Dash No	F.I.D.	Ø G Max	H1 Max	J1 Max	K1 Max	L1 Max
08	0.250 (6.4)	1.18 (30.0)	N/A	N/A	N/A	N/A
12	0.375 (9.5)	1.32 (33.5)	0.74 (18.8)	1.66 (42.2)	.95 (24.1)	1.97 (50.0)
16	0.500 (12.7)	1.45 (36.8)	0.76 (19.3)	1.70 (43.2)	1.02 (25.9)	2.07 (52.6)
20	0.625 (15.9)	1.66 (42.2)	0.79 (20.1)	1.73 (43.9)	1.12 (28.4)	2.14 (54.4)
24	0.750 (19.1)	1.79 (45.5)	0.83 (21.1)	1.78 (45.2)	1.19 (30.2)	2.21 (56.1)
32	1.000 (25.4)	2.06 (52.3)	0.88 (22.4)	1.85 (47.0)	1.32 (33.5)	2.38 (60.5)
40	1.250 (31.8)	2.32 (58.9)	1.07 (27.2)	1.91 (48.5)	1.52 (38.6)	2.52 (64.0)
48	1.500 (38.1)	2.59 (65.8)	1.16 (29.5)	2.01 (51.1)	1.66 (42.2)	2.73 (69.3)
64	2.000 (50.8)	3.26 (82.8)	1.26 (32.0)	2.11 (53.6)	1.99 (50.5)	3.09 (78.5)
80	2.500 (63.5)	3.80 (96.5)	1.31 (33.3)	2.18 (55.4)	2.26 (57.4)	3.21 (81.5)

D

Table II

Sym	Material	Finish Description	Component
BO	Brass	Unplated	
BN	Brass	Cad/O.D. Over Electroless Nickel (1,000 Hour Salt Spray)	
BM	Brass	Electroless Nickel	
BMT	Brass	Nickel-PTFE	
M	Aluminum Alloy	Electroless Nickel	
MT	Aluminum Alloy	Nickel-PTFE	
NF	Aluminum Alloy	Cad/O.D. Over Electroless Nickel (1,000 Hour Salt Spray)	
Z1	300 Series SST	Passivate	
ZN	Aluminum Alloy	Zinc Nickel/Olive Drab Over Electroless Nickel (1,000 Hour Salt Spray)	
ZM	300 Series SST	Electroless Nickel	Adapter, Elbow
		Passivate	Coupling Nut
ZW	300 Series SST	Cad O.D. Over Electroless Nickel	Adapter, Elbow
		Cad Olive Drab	Coupling Nut

**Table VI
Recommended Torque**

Conduit Size Code	±5 Inch Pounds	
	Sleeve	Nut
08	120	40-60
12	120	↑
16	140	↑
20	140	↑
24	150	↑
32	170	↑
40	170	↑
48	170	↑
64	170	↑
80	170	40-60

Table V: Conduit Type

Conduit Type	Part Number	Configuration
A	750-192	Brass conduit with single braided shield and jacket
B	750-194	Brass conduit with double braided shield and jacket
H	750-192	Stainless steel conduit with single braided shield and jacket
J	750-192	Nickel/iron conduit with single braided shield and Jacket

X-ON Electronics

Largest Supplier of Electrical and Electronic Components

Click to view similar products for [Circular MIL Spec Strain Reliefs & Adapters](#) category:

Click to view products by [Glenair](#) manufacturer:

Other Similar products are found below :

[896227-000](#) [899170S004](#) [6000-063-0022](#) [613751-000](#) [CS6624-000](#) [620AB038Z136](#) [620AS001Z108](#) [620AS038Z112](#) [620AS038Z120](#)
[620AS038Z132](#) [620FB038NF08](#) [620HA038NF13](#) [620HA038NF25](#) [620HA042XM13](#) [620HB049NF17](#) [620HS011NF21](#) [620HS038NF11](#)
[620HS038Z121](#) [620HS042XM19](#) [620HS042XM25](#) [620HS042XW13](#) [620HS048B17](#) [620MS064NF09](#) [620MS064NF12](#) [620MS065M12](#)
[620MS065Z107](#) [620MS065ZNU06](#) [630J041M06H](#) [630J041M20H](#) [637S010NF0212H](#) [640830-000](#) [659943-000](#) [66241-10A](#) [CW0597-000](#)
[CW0598-000](#) [CW0948-000](#) [CY0122-000](#) [M85049/41-6A W/B](#) [M85049/42-12DS](#) [M85049/47N8](#) [M85049/47W18](#) [M85049/51-1-14S](#)
[M85049/51-1-8W](#) [M85049/51S16S](#) [M85049/60-1N16](#) [M85049/60-2G12W](#) [M85049/69-11N](#) [CZ3661-000](#) [D02922-000](#) [70.360.1628.0](#)