



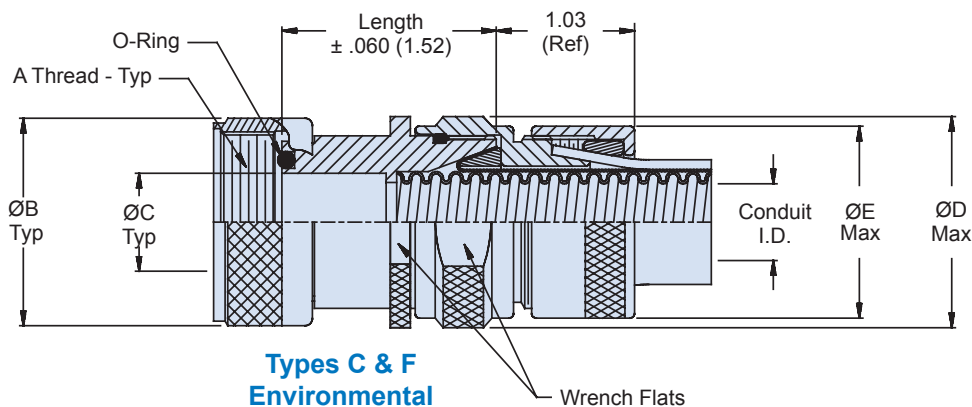
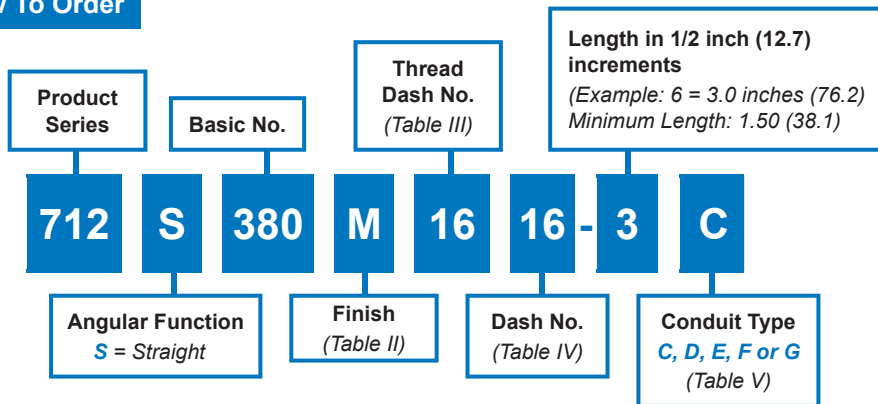
712-380

Heavy-Duty Ground Ring System
Conduit to Transition or End Fitting Adapter with Ground Ring
Shield Termination for Series 74 Helical Convuluted Tubing

Heavy-Duty convoluted tubing to transition or end-fitting adapter



How To Order



Intermateability Guide	
For use with	
Y transitions	710-106, 710-107, 710-370,
T transitions	710-108, 710-109, 710-371
Connector adapters	713-100, 713-101, 713-110
Bulkhead adapters	710-100, 710-101, 710-372
Bulkhead feed-thrus	710-102, 710-103, 710-373
Male Pipe thread adapters	710-114, 710-115, 710-405
Female pipe thread adapters	710-116, 710-117, 710-406

Material/Finish

- Adapters, coupling nuts, nuts, and ferrules: See Table II
- O-Rings: Silicone/N.A.

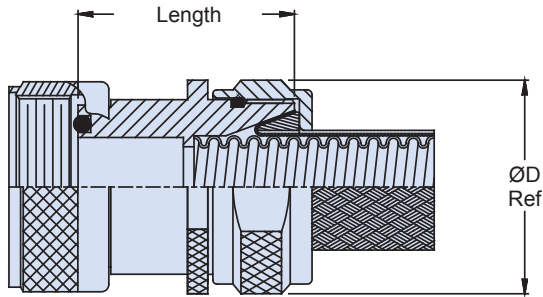
712-380

Heavy-Duty Ground Ring System

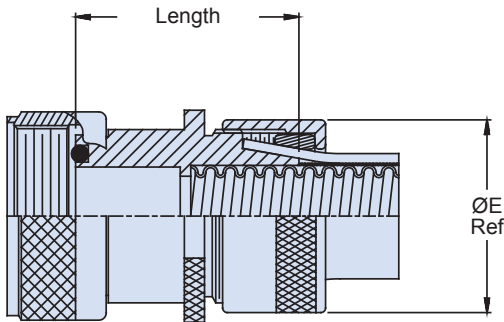
Conduit to Transition or End Fitting Adapter with Ground Ring Shield Termination for Series 74 Helical Convuluted Tubing



Series 74
Helical Tubing



Types D & E
Non-Environmental



Type G
Environmental

Thread Dash No.	A Thread Class 2B	Ø B Max	Ø C	Max Dash No. Table IV
06	7/16 - 28 UNEF	.640 (16.3)	.188 (4.8)	06
09	9/16 - 24 UNEF	.690 (17.5)	.281 (7.1)	09
10	9/16 - 24 UNEF	.690 (17.5)	.312 (7.9)	10
12	5/8 - 24 UNEF	.760 (19.3)	.375 (9.5)	12
14	11/16 UNEF	.890 (22.6)	.438 (11.1)	14
16	3/4 - 20 UNEF	.890 (22.6)	.500 (12.7)	16
20	7/8 - 20 UNEF	1.024 (26.0)	.625 (15.9)	20
24	1 - 20 UNEF	1.152 (29.3)	.750 (19.1)	24
28	13/16 - 18 UNEF	1.363 (34.6)	1.000 (25.4)	28
32	115/16 - 18 UNEF	1.488 (37.8)	1.250 (31.8)	32
40	1 1/2 - 18 UNEF	1.676 (42.6)	2.500 (63.5)	40
48	1 3/4 - 18 UNS	1.960 (49.8)	1.500 (38.1)	48
56	2 - 18 UNS	2.210 (56.1)	1.750 (44.5)	56
64	2 1/4 - 16 UN	2.460 (62.5)	2.000 (50.8)	64

Dash No.	Conduit I.D.		Ø D Max	Ø E Max
	Min	Max		
06	.181 (4.6)	.188 (4.8)	1.09 (27.7)	.780 (19.8)
09	.273 (6.9)	.281 (7.1)	1.16 (29.5)	1.03 (26.2)
10	.306 (7.8)	.312 (7.9)	1.22 (31.0)	1.03 (26.2)
12	.359 (9.1)	.375 (9.5)	1.28 (32.5)	1.03 (26.2)
14	.427 (10.8)	.437 (11.1)	1.34 (34.0)	1.22 (31.0)
16	.480 (12.2)	.500 (12.7)	1.41 (35.8)	1.28 (32.5)
20	.603 (15.3)	.625 (15.9)	1.53 (38.9)	1.41 (35.8)
24	.725 (18.4)	.750 (19.1)	1.66 (42.2)	1.53 (38.9)
28	.860 (21.8)	.875 (22.2)	1.78 (45.2)	1.71 (43.3)
32	.970 (24.6)	1.000 (25.4)	1.91 (48.5)	1.84 (46.7)
40	1.205 (30.6)	1.250 (31.8)	2.28 (57.9)	2.16 (54.9)
48	1.437 (36.5)	1.500 (38.1)	2.59 (65.8)	2.46 (62.5)
56	1.688 (42.9)	1.750 (44.5)	2.91 (73.9)	2.78 (70.6)
64	1.937 (49.2)	2.000 (50.8)	3.03 (77.0)	3.03 (77.0)

Sym	Material	Finish Description
B	AL Alloy	Olive Drab over Cadmium Plate
J		Gold Iridite over Cadmiup Plate over Nickel
M		Electroless Nickel
N		Olive Drab over Cadmium Plate over Nickel
NC		Zinc-Cobalt, Olive Drab
NF		Olive Drab over Cadmium Plate over Electroless Nickel (500 Hour Salt Spray)
T	Bright Dip Cadmium Plate over Nickel	
Z1	300 Series SST	Passivate

Conduit Type	Part Number	Configuration
C	121-100	Tubing with braided shield and jacket
D	121-101	Tubing with braided shield
E	121-102	Tubing with two braided shields
F	121-103	Tubing with two braided shields and jacket
G	123-100	Tubing with jacket

X-ON Electronics

Largest Supplier of Electrical and Electronic Components

Click to view similar products for [Circular MIL Spec Strain Reliefs & Adapters](#) category:

Click to view products by [Glenair](#) manufacturer:

Other Similar products are found below :

[896227-000](#) [899170S004](#) [6000-063-0022](#) [613751-000](#) [CS6624-000](#) [620AB038Z136](#) [620AS001Z108](#) [620AS038Z112](#) [620AS038Z120](#)
[620AS038Z132](#) [620FB038NF08](#) [620HA038NF13](#) [620HA038NF25](#) [620HA042XM13](#) [620HB049NF17](#) [620HS011NF21](#) [620HS038NF11](#)
[620HS038Z121](#) [620HS042XM19](#) [620HS042XM25](#) [620HS042XW13](#) [620HS048B17](#) [620MS064NF09](#) [620MS064NF12](#) [620MS065M12](#)
[620MS065Z107](#) [620MS065ZNU06](#) [630J041M06H](#) [630J041M20H](#) [640830-000](#) [659943-000](#) [66241-10A](#) [CW0597-000](#) [CW0598-000](#)
[CW0948-000](#) [CY0122-000](#) [M85049/41-6A W/B](#) [M85049/42-12DS](#) [M85049/47N8](#) [M85049/47W18](#) [M85049/51-1-14S](#) [M85049/51-1-8W](#)
[M85049/51S16S](#) [M85049/60-1N16](#) [M85049/60-2G12W](#) [M85049/69-11N](#) [CZ3661-000](#) [D02922-000](#) [70.360.1628.0](#) [703797-000](#)