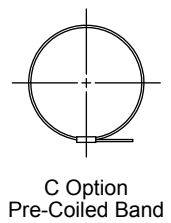
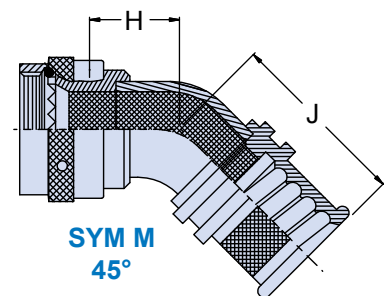
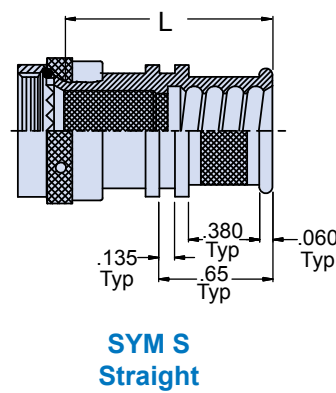
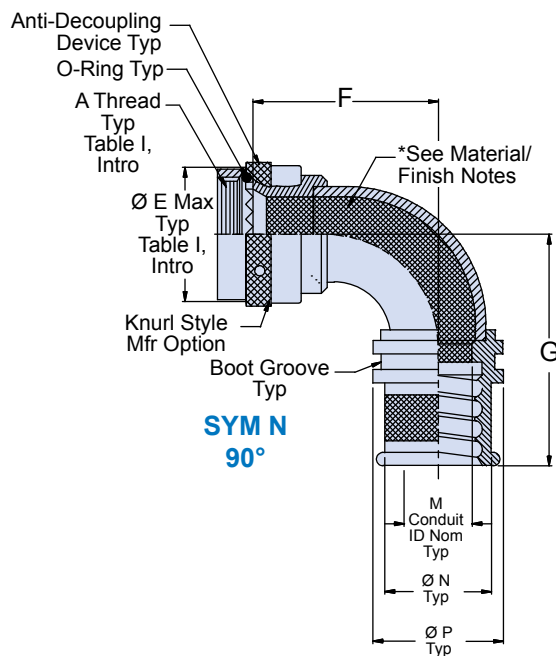
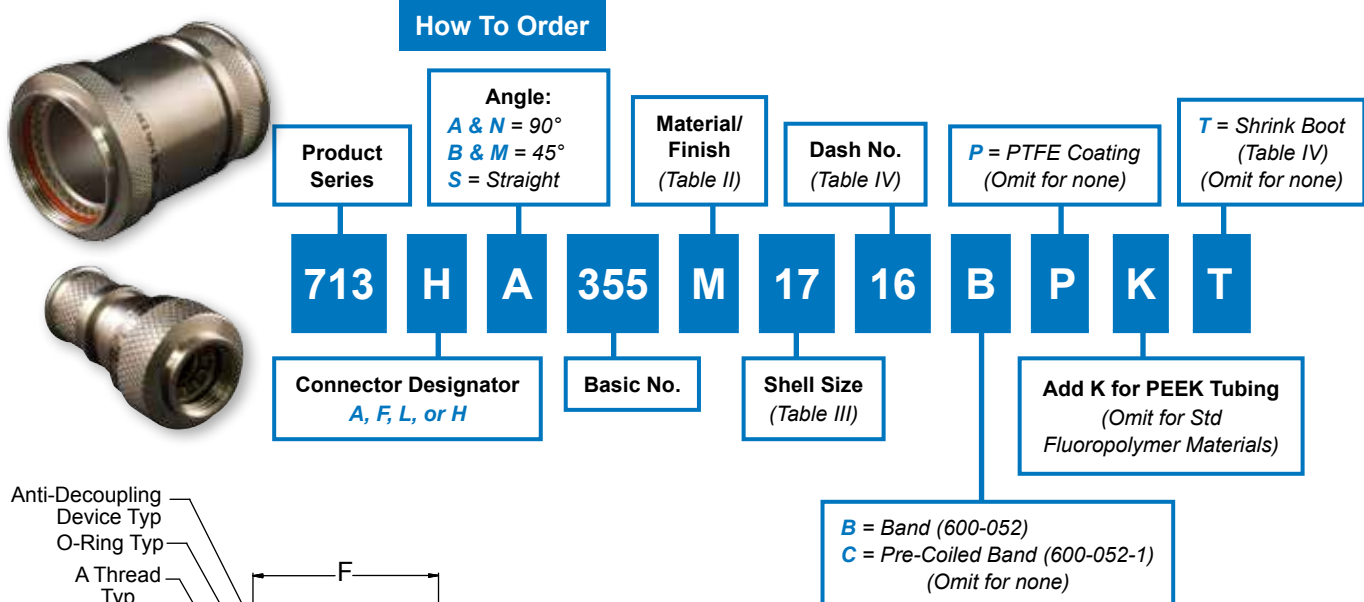




713-355
Hat Trick System
Environmental Self-Locking Metal Backshell
with Band Termination for Series 74 Helical Convuluted Tubing

Easy-to-install Hat Trick convoluted tubing-to-connector backshell, metal



- Material and Finish/Notes**
- Adapters, Coupling Nuts and Elbows - Table II (See P/N development)
 - Anti-Decoupling Device - Corrosion resistant material
 - O-Ring - Silicone/N.A.
 - Band - SST/Passivate
 - Shrink Boot - See individual drawing.
 - * Internal surfaces coated with PTFE Fluoropolymer in area indicated, see P/N development.
 - Interface O-Ring not applicable to connector designator A

713-355
Hat Trick System
 Environmental Self-Locking Metal Backshell
 with Band Termination for Series 74 Helical Convuluted Tubing



Series 74
Helical Tubing

Table III: Shell Size/Dimensions

Shell Size		F Max	G Max	H Max	J Max	L Dim	R Dim	S Dim	T Dim	U Dim	Max Dash No. Table IV
A, F, L	H										
08	09	0.88 (22.4)	1.28 (32.5)	0.76 (19.3)	1.06 (26.9)	1.25 (31.8)	.60 (15.2)	1.57 (39.9)	.68 (17.3)	1.74 (44.2)	10
10	11	0.94 (23.9)	1.34 (34.0)	0.79 (20.1)	1.08 (27.4)	1.25 (31.8)	.63 (16.0)	1.80 (45.7)	.77 (19.6)	1.88 (47.8)	14
12	13	1.00 (25.4)	1.46 (37.1)	0.81 (20.6)	1.13 (28.7)	1.25 (31.8)	.66 (16.8)	1.89 (48.0)	.80 (20.3)	1.92 (48.8)	20
14	15	1.06 (26.9)	1.63 (41.4)	0.86 (21.8)	1.26 (32.0)	1.35 (34.3)	.69 (17.5)	2.01 (51.1)	.88 (22.4)	2.01 (51.1)	24
16	17	1.13 (28.7)	1.85 (47.0)	0.90 (22.9)	1.41 (35.8)	1.45 (36.8)	.82 (20.8)	2.16 (54.9)	1.06 (26.9)	2.14 (54.4)	28
18	19	1.19 (30.2)	1.91 (48.5)	0.94 (23.9)	1.44 (36.6)	1.45 (36.8)	.97 (24.6)	2.34 (59.4)	1.15 (29.2)	2.31 (58.7)	32
20	21	1.25 (31.8)	2.29 (58.2)	0.97 (24.6)	1.74 (44.2)	1.75 (44.5)	.97 (24.6)	2.39 (60.7)	1.15 (29.2)	2.36 (59.9)	40
22	23	1.31 (33.3)	2.29 (58.2)	0.99 (25.1)	1.74 (44.2)	1.75 (44.5)	1.00 (25.4)	2.53 (64.3)	1.30 (33.0)	2.47 (62.7)	40
24	25	1.38 (35.1)	2.41 (61.2)	1.02 (25.9)	1.79 (45.5)	1.75 (44.5)	1.00 (25.4)	2.58 (65.5)	1.30 (33.0)	2.52 (64.0)	48
28		1.46 (37.1)	2.41 (61.2)	1.12 (28.5)	1.79 (45.5)	1.75 (44.5)	TBD	TBD	1.40 (35.6)	2.73 (69.3)	48

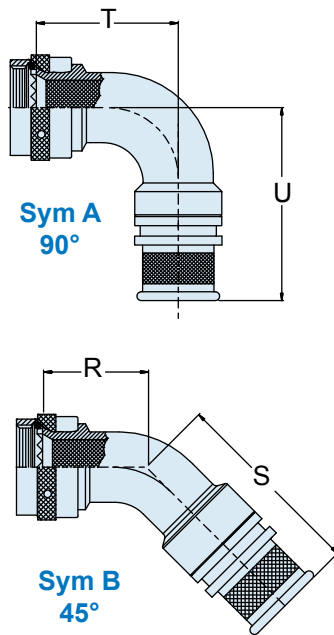


Table IV: Dash No. and Shrink Boot

Dash No.	M Conduit ID Nom.	Ø N	Ø P	Shrink Boot Part Number
6	.188 (4.8)	.419 (10.6)	.481 (12.2)	770-001S103
9	.281 (7.1)	.513 (13.0)	.575 (14.6)	770-001S104
10	.312 (7.9)	.549 (13.9)	.611 (15.5)	770-001S104
12	.375 (9.5)	.609 (15.5)	.671 (17.0)	770-001S104
14	.437 (11.1)	.670 (17.0)	.732 (18.6)	770-001S104
16	.500 (12.7)	.749 (19.0)	.811 (20.6)	770-001S105
20	.625 (15.9)	.869 (22.1)	.931 (23.6)	770-001S106
24	.750 (19.1)	1.029 (26.1)	1.091 (27.7)	770-001S106
28	.875 (22.2)	1.172 (29.8)	1.234 (31.3)	770-001S107
32	1.000 (25.4)	1.320 (33.5)	1.382 (35.1)	770-001S107
40	1.250 (31.8)	1.664 (42.3)	1.726 (43.8)	770-001S108
48	1.500 (31.8)	1.957 (49.7)	2.019 (51.3)	770-001S108

Table II: Material/Finish

Sym	Material	Finish Description	Component
M	Aluminum Alloy	Electroless Nickel	
MT	Aluminum Alloy	Nickel-PTFE	
NF	Aluminum Alloy	Cad/O.D. Over Electroless Nickel (1,000 Hour Salt Spray)	
Z1	300 Series SST	Passivate	
ZN	Aluminum Alloy	Zinc Nickel/O.D. Over Electroless Nickel (1,000 Hour Salt Spray)	
ZM	300 Series SST	Electroless Nickel	Adapter, Elbow
		Passivate	Coupling Nut
ZW	300 Series SST	Cad O.D. Over Electroless Nickel	Adapter, Elbow
		Cad Olive Drab	Coupling Nut

C

X-ON Electronics

Largest Supplier of Electrical and Electronic Components

Click to view similar products for [Circular MIL Spec Backshells](#) category:

Click to view products by [Glenair](#) manufacturer:

Other Similar products are found below :

[60-036152-022](#) [610HS012M15](#) [M28840/504WA](#) [M28840/805WB](#) [M28840/809WA](#) [M28840/815WA](#) [M28840/816WA](#) [627AS017M14](#)
[627MA124M14S](#) [655HS002NF11](#) [CW3899-000](#) [M85049/10-134S](#) [M85049/10-17S](#) [M85049/10-33S](#) [M85049/10-94W](#) [M85049/11-28N](#)
[M85049/11-37N](#) [M85049/11-53N](#) [M85049/11-63N](#) [M85049/124-23W](#) [M85049/1720N04B](#) [M85049/1821W05C](#) [M85049/1825W06C](#)
[M85049/1919N05](#) [M85049/23-74W](#) [M85049/24-71N](#) [M85049/25-47N](#) [M85049/25-94W](#) [M85049/27S12N](#) [M85049/39-11S](#) [M85049/39-17S](#)
[M85049/39-9S](#) [M85049/6-10B](#) [M85049/6-19N](#) [M85049/6-20B](#) [M85049/77-20W04](#) [M85049/78-11N03](#) [M85049/78-15W02](#) [M85049/78-](#)
[17N04](#) [M85049/78-19N05](#) [M85049/79-19N07](#) [M85049/79-25N04](#) [M85049/82-18N02](#) [M85049/82-22P02](#) [M85049/83-10W03](#) [M85049/84-](#)
[20N03](#) [M85049/8-48N](#) [M85049/85-24N01](#) [M85049/85-24P01](#) [M85049/86-16P03](#)