



SERIES 77
Lipped, 90° Angle Shrink Boots
 770-001A Angled Boot, with Eyelet
 How to Order



90° Boots



Lipped, right angle heat shrink boots provide mechanical and environmental protection from damage and debris. These shrink boots fit most standard boot adapters for circular connectors. All adhesive lined and unlined shrink boots are RoHS compliant. Shrink boots are water-tight when equipped with factory installed or user-installed adhesive. These lipped boots come standard with eyelet for attachment of protective covers. Lipped boots lock into boot groove located on adapter. Choose boot size based on adapter diameter and cable diameter.

How to Order

Sample Part Number	770	-001	A	1	03	W1	-PP
Product Series	770 = Series 77 shrink boot						
Basic Number	001 = lipped boot with eyelet						
Angular Function	A = 90°						
Material	See material and adhesives table						
Boot Size	03, 04, 05, 06, 07, 08, 09; see dimensions table						
Adhesive Lined	Omit for no adhesive; see material and adhesives table						
Potting Port or Drain Hole	PP = potting port DH = standard drain holes DHS = drain holes 45° off center seam Omit for none						

Material and Adhesive Compatibility

Material Code	Material Description (Compound No.)	Hot Melt Adhesives			High Performance Epoxy Adhesives		
		W1	W2	W3 (TACOM approved)	R	U	
		High Temperature -55°C to 125°C	Standard -55°C to 70°C	Elastomeric -55°C to 125°C	Pre-Coat -75°C to 150°C	Two-Part -75°C to 155°C	
1	High-Performance Semi-Rigid Elastomer (2025)	●	●		●	Type U epoxy adhesive is compatible with all boot materials. Ordered separately, user-installed (779-001). Order boot with no adhesive lining.	
2	Zero Halogen Semi-Rigid Polyolefin (2010)	●	●		●		
3	General Purpose Flexible Polyolefin (2040)		●				
5	Viton Fluoroelastomer Blend (2050)	●		●	●		
6	High Performance Elastomer Alloy (2051)	●		●			
7	Semi-Rigid Polyolefin (2071)	●	●				
8	Low Outgassing Fluoropolymer Alloy (2008)	Material Type 8 not available with pre-coat adhesive. Use Type U two-part epoxy					
9	Low Temp Flexible Polyolefin (2013)		●				

NOTES

1. See **Modification Codes** listed in Section A for material color options available for **Type 1 (compound 2025)** material.



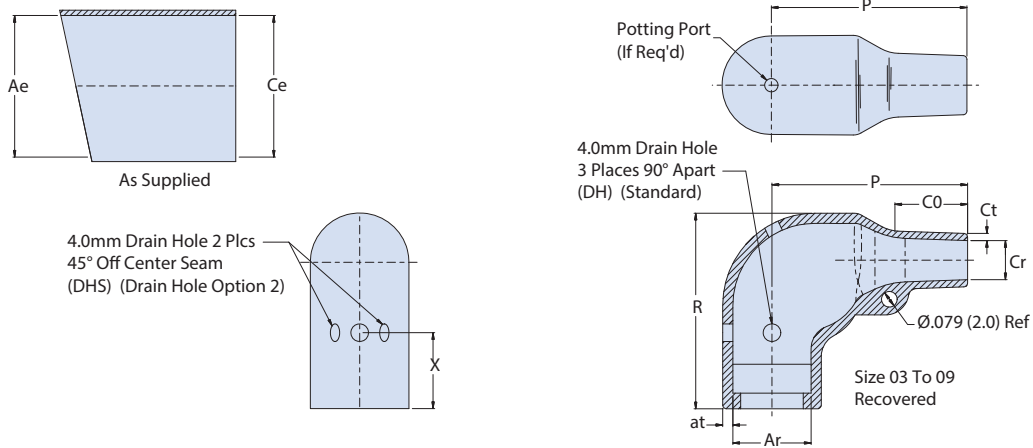
SERIES 77

Lipped, 90° Angle Shrink Boots

770-001A Angled Boot, with Eyelet Dimensions



Lipped Right Angle Adapter Shrink Boots: Dimensions



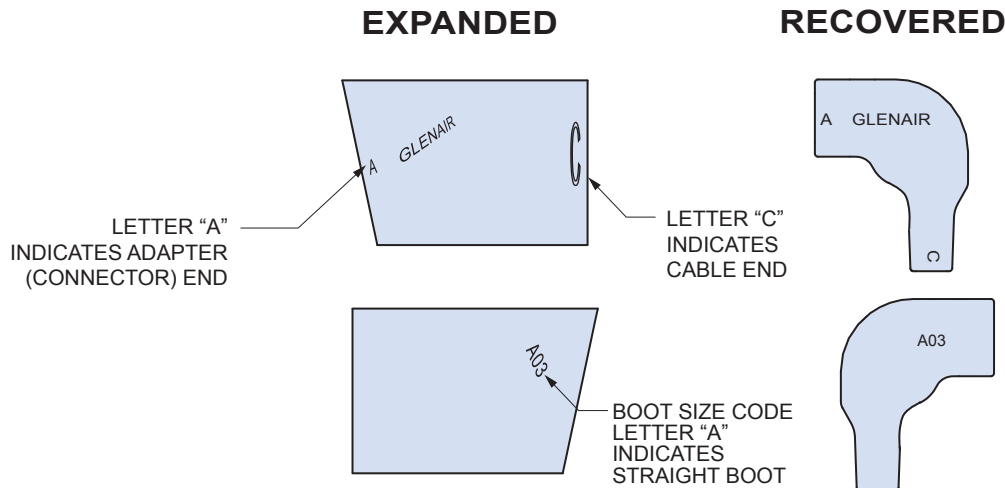
90° Boots

C

Dimensions												
Boot Size	Glenair US Part Marking	Shell Size	Ae DIA MIN	Ce DIA MIN	Ar DIA MAX	at ±30%	Cr DIA MAX	ct ±20%	CO REF	P±20%	R REF	X ±20%
03	A03	9	.945 (24.0)	.945 (24.0)	.394 (10.0)	.063 (1.6)	.197 (5.0)	.035 (0.9)	.394 (10.0)	.984 (25.0)	.984 (25.0)	.75 (19.0)
04	A04	11-15	1.181 (30.0)	1.181 (30.0)	.532 (13.5)	.071 (1.8)	.217 (5.5)	.039 (1.0)	.472 (12.0)	1.260 (32.0)	1.063 (27.0)	.87 (22.0)
05	A05	13-17	1.260 (32.0)	1.260 (32.0)	.709 (18.0)	.071 (1.8)	.276 (7.0)	.047 (1.2)	.591 (15.0)	1.535 (39.0)	1.260 (32.0)	.87 (22.0)
06	A06	17-21	1.417 (36.0)	1.417 (36.0)	.886 (22.5)	.079 (2.0)	.335 (8.5)	.047 (1.2)	.630 (16.0)	1.929 (49.0)	1.496 (38.0)	.87 (22.0)
07	A07	21-23	1.693 (43.0)	1.693 (43.0)	1.102 (28.0)	.087 (2.2)	.394 (10.0)	.059 (1.5)	.709 (18.0)	2.165 (55.0)	1.850 (47.0)	.87 (22.0)
08	A08	23-25	2.165 (55.0)	2.165 (55.0)	1.378 (35.0)	.130 (3.3)	.591 (15.0)	.079 (2.0)	1.260 (32.0)	3.150 (80.0)	2.165 (55.0)	.87 (22.0)
09	A09		2.599 (66.0)	2.599 (66.0)	1.752 (44.5)	.150 (3.8)	.661 (16.8)	.079 (2.0)	1.890 (48.0)	4.250 (108.0)	2.680 (68.0)	.87 (22.0)

For materials Type 2, Type 3 and Type 9, dimension 'Ce' is nominal

Lipped Right Angle Shrink Boots: Part Marking, Raised Lettering



X-ON Electronics

Largest Supplier of Electrical and Electronic Components

Click to view similar products for [Heat Shrink Cable Boots & End Caps](#) category:

Click to view products by [Glenair](#) manufacturer:

Other Similar products are found below :

[577159N001](#) [618803-000](#) [645494-000](#) [CX4132-000](#) [687025-000](#) [D33548-000](#) [F27131-000](#) [F85868-000](#) [770-005S105](#) [770-010Y106W1](#)
[770-013210W1](#) [770-013311](#) [770-013312](#) [770-018S202W1](#) [770-018S205W1](#) [806542N001](#) [808059-000](#) [808362-000](#) [809125-000](#) [809218-000](#)
[812014-000](#) [812047-000](#) [813767N002](#) [814741-000](#) [819117N001](#) [823026-000](#) [841189N001](#) [861471-000](#) [950764-000](#) [957073-000](#) [982033-2](#)
[A77813-000](#) [D96192-000](#) [EN3BOOTLKIT](#) [1954015-1](#) [200W531-3-0](#) [202A163-4-0-CS5067](#) [202A343-3-00-0](#) [202B221-13-0](#)
[202B563-25-07-0](#) [202D121-4-01/86-0](#) [202D211-3-22/42-0](#) [202D221-4-0-CS8970](#) [202D221-4-22/180-0](#) [202D263-25-08-0](#) [202E334-51-0-](#)
[CS5324](#) [202E336-71-0](#) [202F211-50-22-0-CS8474](#) [202F242-51-04/164-0](#) [202K132-25-01/225-0CS8387](#)