

# 770-001 Shrink Boot Heat Shrink Molded Part

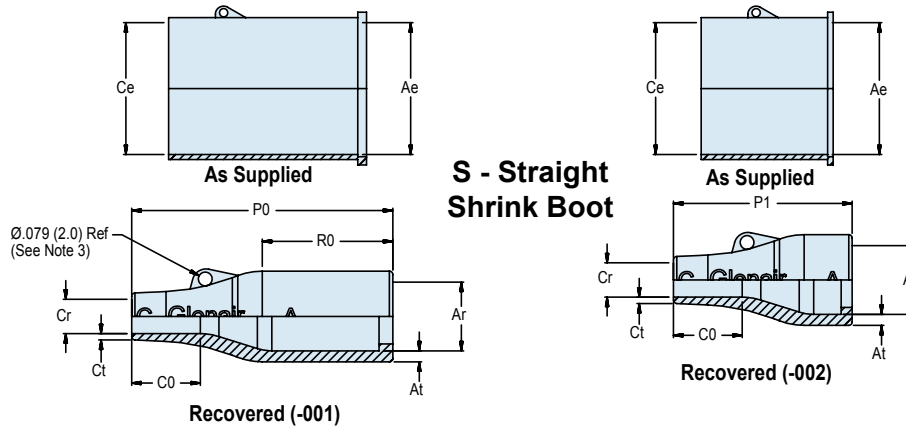
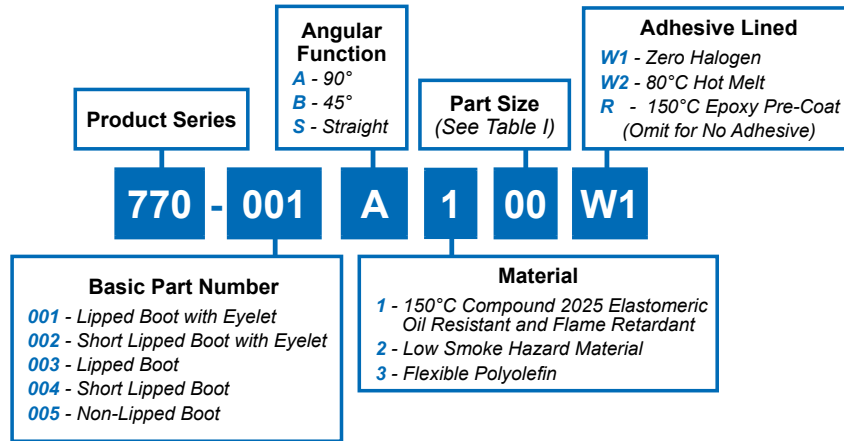
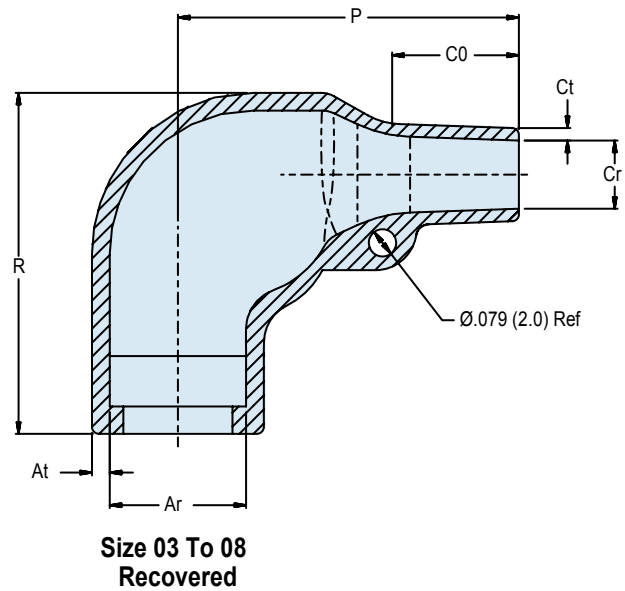
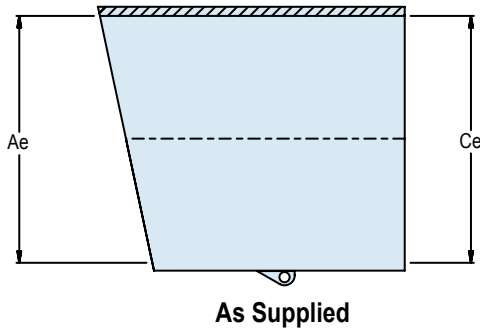


TABLE I: STRAIGHT BOOT DIMENSIONS, BOOT AND SHELL SIZE

| Boot Size | Shell Size | Ae Dia Min   | Ce Dia Min   | Ar Dia Max   | at ±30%    | Cr Dia Max  | ct ±20%    | C0 Ref       | P0 ±10%       | P1 ±10%       | R0 Ref       |
|-----------|------------|--------------|--------------|--------------|------------|-------------|------------|--------------|---------------|---------------|--------------|
| 00        | 5          | .354 (9.0)   | .354 (9.0)   | .217 (5.5)   | .039 (1.0) | .079 (2.0)  | .028 (0.7) | .295 (7.5)   | .984 (25.0)   | N/A           | .551 (14.0)  |
| 01        | 5, 6       | .472 (12.0)  | .472 (12.0)  | .276 (7.0)   | .043 (1.1) | .118 (3.0)  | .028 (0.7) | .295 (7.5)   | .984 (25.0)   | N/A           | .551 (14.0)  |
| 02        | 6, 7       | .669 (17.0)  | .669 (17.0)  | .276 (7.0)   | .051 (1.3) | .138 (3.5)  | .028 (0.7) | .395 (10.0)  | 1.181 (30.0)  | N/A           | .728 (18.5)  |
| 03        | 8, 10      | .945 (24.0)  | .945 (24.0)  | .413 (10.5)  | .063 (1.6) | .197 (5.5)  | .035 (0.9) | .395 (10.0)  | 1.496 (38.0)  | 1.024 (26.0)  | .748 (19.0)  |
| 04        | 11-16      | 1.181 (30.0) | 1.181 (30.0) | .551 (14.0)  | .071 (1.8) | .236 (6.0)  | .039 (1.0) | .630 (16.0)  | 2.165 (55.0)  | 1.693 (43.0)  | 1.181 (30.0) |
| 05        | 16-17      | 1.260 (32.0) | 1.260 (32.0) | .709 (18.0)  | .071 (1.8) | .276 (7.0)  | .047 (1.2) | .748 (19.0)  | 2.638 (67.0)  | 1.850 (47.0)  | 1.299 (33.0) |
| 06        | 17-21      | 1.417 (36.0) | 1.417 (36.0) | .886 (22.0)  | .079 (2.0) | .335 (8.5)  | .047 (1.2) | .787 (20.0)  | 3.150 (80.0)  | 2.362 (60.0)  | 1.575 (40.0) |
| 07        | 21-23      | 1.693 (43.0) | 1.693 (43.0) | 1.102 (28.0) | .087 (2.2) | .394 (10.0) | .051 (1.3) | 1.142 (29.0) | 3.898 (99.0)  | 3.150 (80.0)  | 2.165 (55.0) |
| 08        | 25         | 2.362 (60.0) | 2.362 (60.0) | 1.378 (35.0) | .130 (3.3) | .591 (15.0) | .063 (1.6) | 1.575 (40.0) | 5.118 (130.0) | 4.331 (110.0) | 1.969 (50.0) |

## APPLICATION NOTES

1. Material: Fluid resistant elastomer - Glenair Material Type 1.
2. When the minimum number of conductors are used, wire bundle/cable may require build-up to B<sup>2</sup> max.
3. Sizes 00 to 02 do not contain eyelet.



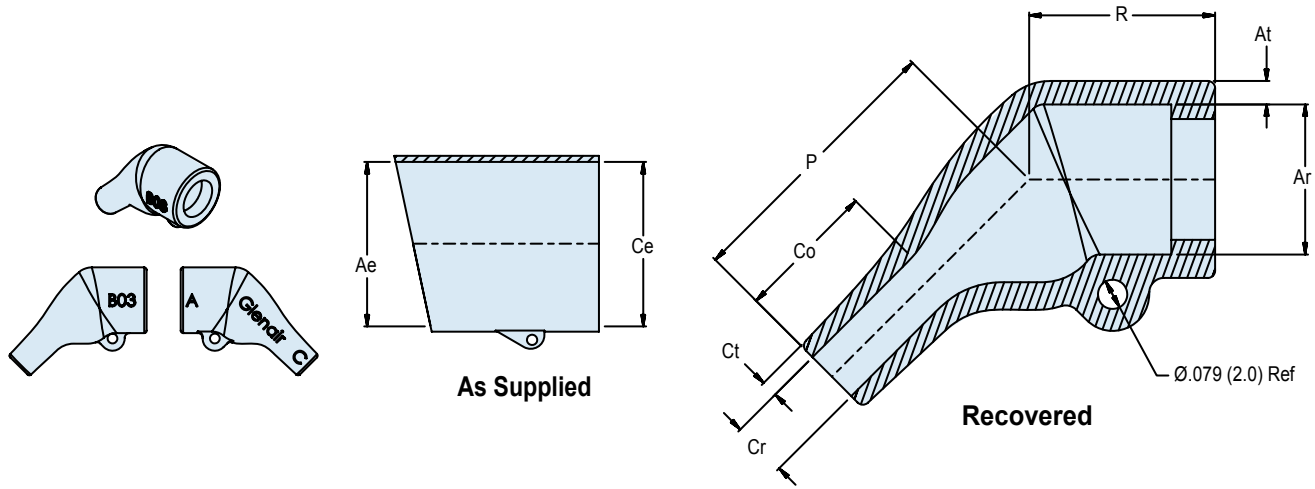
**A - 90°  
Shrink Boot**

**TABLE I: 90° BOOT DIMENSIONS, BOOT AND SHELL SIZE**

| Boot Size | Shell Size | Ae Dia Min   | Ce Dia Min   | Ar Dia Max   | at ±30%    | Cr Dia Max  | ct ±20%    | C0 Ref       | P ±20%       | R Ref        |
|-----------|------------|--------------|--------------|--------------|------------|-------------|------------|--------------|--------------|--------------|
| 03        | 9          | .945 (24.0)  | .945 (24.0)  | .394 (10.0)  | .063 (1.6) | .197 (5.0)  | .035 (0.9) | .394 (10.0)  | .984 (25.0)  | .984 (25.0)  |
| 04        | 11-15      | 1.181 (30.0) | 1.181 (30.0) | .532 (13.5)  | .071 (1.8) | .217 (5.5)  | .039 (1.0) | .472 (12.0)  | 1.260 (32.0) | 1.063 (27.0) |
| 05        | 13-17      | 1.260 (32.0) | 1.260 (32.0) | .709 (18.0)  | .071 (1.8) | .276 (7.0)  | .047 (1.2) | .591 (15.0)  | 1.535 (39.0) | 1.260 (32.0) |
| 06        | 17-21      | 1.417 (36.0) | 1.417 (36.0) | .886 (22.0)  | .079 (2.0) | .335 (8.5)  | .047 (1.2) | .630 (16.0)  | 1.929 (49.0) | 1.496 (38.0) |
| 07        | 21-23      | 1.693 (43.0) | 1.693 (43.0) | 1.102 (28.0) | .087 (2.2) | .394 (10.0) | .059 (1.5) | .709 (18.0)  | 2.165 (55.0) | 1.850 (47.0) |
| 08        | 23-25      | 2.165 (55.0) | 2.165 (55.0) | 1.378 (35.0) | .130 (3.3) | .591 (15.0) | .079 (2.0) | 1.260 (32.0) | 3.150 (80.0) | 2.165 (55.0) |



770-001  
45° Shrink Boot  
Heat Shrink Molded Part



B - 45°  
Shrink Boot

TABLE I: 45° BOOT DIMENSIONS, BOOT AND SHELL SIZE

| Boot Size | Shell Size | Ae Dia Min   | Ce Dia Min   | Ar Dia Max   | at ±30%    | Cr Dia Max  | ct ±20%    | CO Ref      | P ±10%       | R Ref        |
|-----------|------------|--------------|--------------|--------------|------------|-------------|------------|-------------|--------------|--------------|
| 03        | 9          | .945 (24.0)  | .945 (24.0)  | .413 (10.50) | .063 (1.6) | .157 (4.0)  | .035 (0.9) | .315 (8.0)  | .748 (195.0) | .500 (12.7)  |
| 04        | 11-15      | 1.181 (30.0) | 1.181 (30.0) | .551 (14.0)  | .071 (1.8) | .236 (6.0)  | .039 (1.0) | .354 (9.0)  | 1.180 (30.0) | .748 (19.0)  |
| 05        | 13-17      | 1.260 (32.0) | 1.260 (32.0) | .709 (18.0)  | .079 (2.0) | .276 (7.0)  | .071 (1.8) | .591 (15.0) | 1.378 (35.0) | .984 (25.0)  |
| 06        | 17-21      | 1.417 (36.0) | 1.417 (36.0) | .886 (22.0)  | .079 (2.0) | .335 (8.5)  | .071 (1.8) | .709 (18.0) | 1.575 (40.0) | 1.260 (32.0) |
| 07        | 21-23      | 1.693 (43.0) | 1.693 (43.0) | 1.102 (28.0) | .087 (2.2) | .394 (10.0) | .079 (2.0) | .709 (18.0) | 1.772 (45.0) | 1.496 (38.0) |

## X-ON Electronics

Largest Supplier of Electrical and Electronic Components

*Click to view similar products for [Heat Shrink Cable Boots & End Caps](#) category:*

*Click to view products by [Glenair](#) manufacturer:*

Other Similar products are found below :

[577159N001](#) [618803-000](#) [645494-000](#) [CX4132-000](#) [687025-000](#) [D33548-000](#) [F27131-000](#) [F85868-000](#) [770-005S105](#) [770-010Y106W1](#)  
[770-013210W1](#) [770-013311](#) [770-013312](#) [770-018S202W1](#) [770-018S205W1](#) [806542N001](#) [808059-000](#) [808362-000](#) [809125-000](#) [809218-000](#)  
[812014-000](#) [812047-000](#) [813767N002](#) [814741-000](#) [819117N001](#) [823026-000](#) [841189N001](#) [861471-000](#) [950764-000](#) [957073-000](#) [982033-2](#)  
[A77813-000](#) [D96192-000](#) [EN3BOOTLKIT](#) [1954015-1](#) [200W531-3-0](#) [202A163-4-0-CS5067](#) [202A343-3-00-0](#) [202B221-13-0](#)  
[202B563-25-07-0](#) [202D121-4-01/86-0](#) [202D211-3-22/42-0](#) [202D221-4-0-CS8970](#) [202D221-4-22/180-0](#) [202D263-25-08-0](#) [202E334-51-0-](#)  
[CS5324](#) [202E336-71-0](#) [202F211-50-22-0-CS8474](#) [202F242-51-04/164-0](#) [202K132-25-01/225-0CS8387](#)