



SERIES 77
Lipped, Straight Shrink Boots
 770-007S High Ratio Boot
 How to Order



Straight Boots



Lipped, hi-ratio straight heat shrink boots provide mechanical and environmental protection from damage and debris. Hi-ratio boots are an ideal solution where the connector/backshell is significantly larger than the cable being used. Boots are available in eight material options with five adhesive choices. Glenair straight boots fit most standard boot adapters for circular connectors. All adhesive lined and unlined shrink boots are RoHS compliant. Shrink boots are water-tight when equipped with factory installed or user-installed adhesive. Lipped boots lock into boot groove located on adapter and can be ordered with potting holes or drain holes according to your requirements. Choose boot size based on adapter diameter and cable diameter.

C

| How to Order | | | | | | | |
|-------------------------------------|---|-------------|----------|----------|-----------|-----------|------------|
| Sample Part Number | 770 | -007 | S | 1 | 03 | W1 | -DH |
| Product Series | 770 = Series 77 shrink boot | | | | | | |
| Basic Number | 007 = high ratio lipped boot | | | | | | |
| Angular Function | S = straight | | | | | | |
| Material | See material and adhesives table | | | | | | |
| Boot Size | 03, 04, 06, 07; see dimensions table | | | | | | |
| Adhesive Lined | Omit for no adhesive; see material and adhesives table | | | | | | |
| Drain Holes or Potting Ports | DH = drain hole PP = injections-vent port Omit for none | | | | | | |

| Material and Adhesive Compatibility | | | | | | |
|-------------------------------------|--|---|---------------------------|-------------------------------|----------------------------------|--|
| Material Code | Material Description (Compound No.) | Hot Melt Adhesives | | | High Performance Epoxy Adhesives | |
| | | W1 | W2 | W3 (TACOM approved) | R | U |
| | | High Temperature -55°C to 125°C | Standard -55°C to 70°C | Elastomeric -55°C to 125°C | Pre-Coat -75°C to 150°C | Two-Part -75°C to 155°C |
| 1 | High-Performance Semi-Rigid Elastomer (2025) | ● | ● | | ● | Type U epoxy adhesive is compatible with all boot materials. Ordered separately, user-installed (779-001). Order boot with no adhesive lining. |
| 2 | Zero Halogen Semi-Rigid Polyolefin (2010) | ● | ● | | ● | |
| 3 | General Purpose Flexible Polyolefin (2040) | | ● | | | |
| 5 | Viton Fluoroelastomer Blend (2050) | ● | | ● | ● | |
| 6 | High Performance Elastomer Alloy (2051) | ● | | ● | | |
| 7 | Semi-Rigid Polyolefin (2071) | ● | ● | | | |
| 8 | Low Outgassing Fluoropolymer Alloy (2008) | Material Type 8 not available with pre-coat adhesive. Use Type U two-part epoxy | | | | |
| 9 | Low Temp Flexible Polyolefin (2013) | | ● | | | |

NOTES

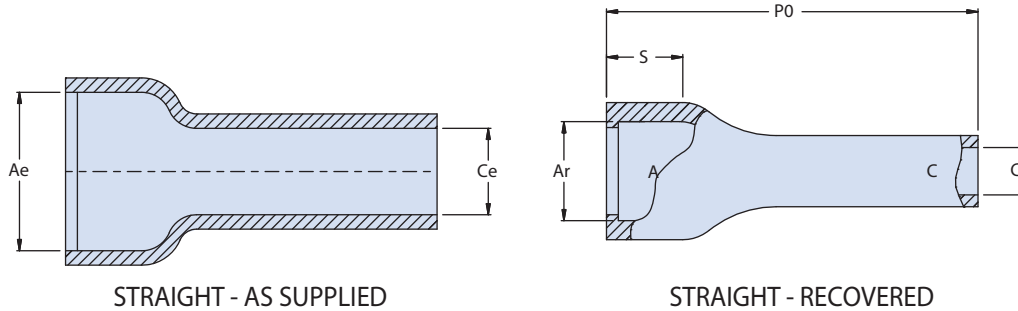
1. See **Modification Codes** listed in Section A for material color options available for **Type 1 (compound 2025)** material.



SERIES 77
Lipped, Straight Shrink Boots
 770-007S High Ratio Boot
 Dimensions



Lipped Straight Adapter Shrink Boots, Standard: Dimensions



STRAIGHT - AS SUPPLIED

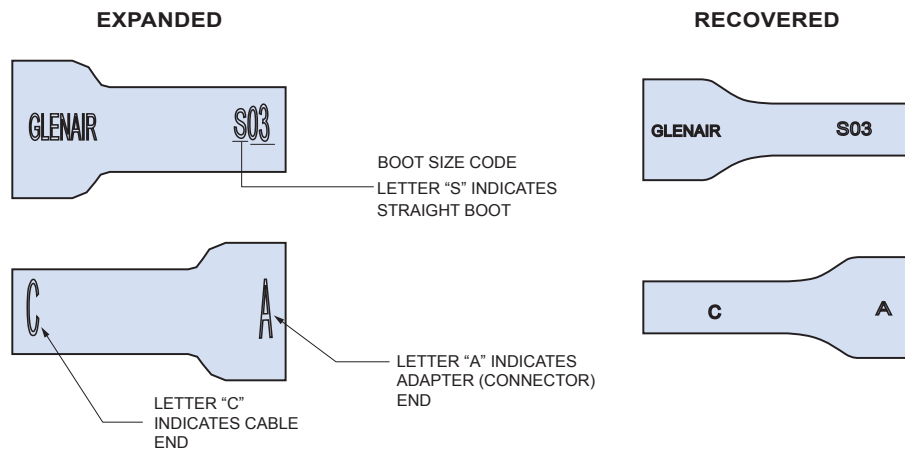
STRAIGHT - RECOVERED

| Dimensions | | | | | | | | |
|------------|-------------------------|-------------------------------|--------------|-------------|--------------|-------------|--------------|-------------|
| Boot Size | Glenair US Part Marking | AS85049/140 AS85049/141 Ref * | Ae Dia. Min | Ce Dia. Min | Ar Dia Max | Cr Dia. Max | PO ±10% | S Ref |
| 03 | S03 | 19 | .760 (19.3) | .252 (6.4) | .512 (13.0) | .083 (2.1) | 2.370 (60.2) | .461 (11.7) |
| 04 | S04 | 20 | 1.031 (26.2) | .299 (7.6) | .752 (19.1) | .102 (2.6) | 2.921 (74.2) | .480 (12.2) |
| 06 | S06 | 21 | 1.350 (34.3) | .382 (9.7) | 1.024 (26.0) | .122 (3.1) | 3.319 (84.3) | .480 (12.2) |
| 07 | S07 | 22 | 1.720 (43.7) | .449 (11.4) | 1.343 (34.1) | .142 (3.6) | 3.921 (99.6) | .480 (12.2) |

For materials Type 2, Type 3 and Type 9, dimension 'Ce' is nominal

*See GS85049/140 for mil qualified straight shrink boot

Lipped Straight Shrink Boots: Part Marking, Raised Lettering



X-ON Electronics

Largest Supplier of Electrical and Electronic Components

Click to view similar products for [Heat Shrink Tubing and Sleeves](#) category:

Click to view products by [Glenair](#) manufacturer:

Other Similar products are found below :

[5685710001](#) [CR9960-000](#) [5734012004](#) [607381P039](#) [611112-000](#) [6284592002](#) [CX4711-000](#) [CZ1420-000](#) [D-306-38](#) [770-006S302](#) [770-010Y106W1](#) [770-018S103](#) [770-018S202W1](#) [770-018S205W1](#) [770-020S704W1](#) [770-020S705](#) [MFP-1/4"-Clear](#) [MFP-3/64"-Clear](#) [790-3012](#) [MHHT-4-15K2-G-104](#) [8003012003](#) [MIL-LT-1-1/2-4-SP](#) [MIL-LT-1-1/2-9-STK](#) [MIL-LT-1/2-2-STK](#) [MIL-LT-3-0-SP](#) [MIL-LT-3/32-0-SP](#) [MIL-LT-3/32-6-SP](#) [MIL-LT-3/4-4-STK](#) [MIL-LT-3/4-6-SP](#) [839602-000](#) [8423-6](#) [FP301-116-48"-Clear](#) [FP301-12-6"-Clear](#) [FP301-1/4-48"-White-Hdr](#) [FP301-18-48"-Black-Hdr](#) [FP301-1/8-6"-Black](#) [FP301-18-6"-Black-Bulk](#) [FP301-316-48"-Blue-Hdr](#) [FP301-34-48"-Green-Hdr](#) [912229N002](#) [R280637030](#) [HDT-0300-48A-BLACK](#) [HDT-0400-48A-Black](#) [HDT-0800-48A-RED](#) [HDT1100-48A-BLK](#) [HDT1500-48A-BLK](#) [HDT-2000-48A-Black](#) [RHW-70/20-1200/ADH-0](#) [DWP-125-0.450-4-55MM-CS879](#) [156082-000](#)