



# SERIES 77 Heat Shrink Transitions



## 770-013 1:3 Wide Body Heat Shrink Transition How to Order



1:3 wide body transition heat shrink transitions provide an easy to install and rugged cable routing solution. Transitional boots are available in eight material options with five adhesive choices. All Adhesive lined and unlined shrink boots are RoHS compliant. Transitional boots are water-tight when equipped with factory installed or user-installed adhesive. Choose boot size based on cable diameter.

How to Order						
<b>Sample Part Number</b>		<b>770</b>	<b>-013</b>	<b>1</b>	<b>09</b>	<b>W1 -PP</b>
<b>Product Series</b>	770 = Series 77 shrink boot					
<b>Basic Number</b>	013 = Basic number					
<b>Material</b>	See material and adhesives table					
<b>Boot Size</b>	09, 10, 11, 12, 13 Based on cable diameter					
<b>Adhesive Lined</b>	W1, W2, W3, R, U, Omit for no adhesive; see material and adhesives table for compatibility					
<b>Potting Port</b>	PP = Potting Ports/Vent Ports Omit for none					

Material and Adhesive Compatibility						
Material Code	Material Description (Compound No.)	Hot Melt Adhesives			High Performance Epoxy Adhesives	
		W1	W2	W3 (TACCOM approved)	R	U
		High Temperature -55°C to 125°C	Standard -55°C to 70°C	Elastomeric -55°C to 125°C	Pre-Coat -75°C to 150°C	Two-Part -75°C to 155°C
1	High-Performance Semi-Rigid Elastomer (2025)	●	●		●	Type U epoxy adhesive is compatible with all boot materials. Ordered separately, user-installed (779-001). Order boot with no adhesive lining.
2	Zero Halogen Semi-Rigid Polyolefin (2010)	●	●		●	
3	General Purpose Flexible Polyolefin (2040)		●			
5	Viton Fluoroelastomer Blend (2050)	●		●	●	
6	High Performance Elastomer Alloy (2051)	●		●		
7	Semi-Rigid Polyolefin (2071)	●	●			
8	Low Outgassing Fluoropolymer Alloy (2008)	Material Type 8 not available with pre-coat adhesive. Use Type U two-part epoxy				
9	Low Temp Flexible Polyolefin (2013)		●			

### NOTES

1. See **Modification Codes** listed in Section A for material color options available for **Type 1 (compound 2025)** material.

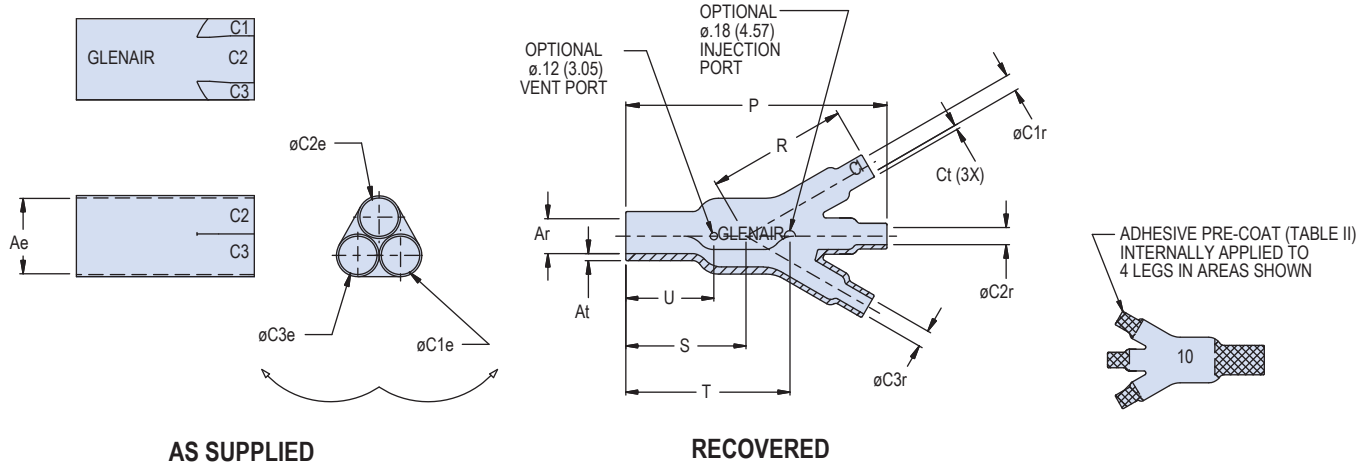


# SERIES 77 Heat Shrink Transitions



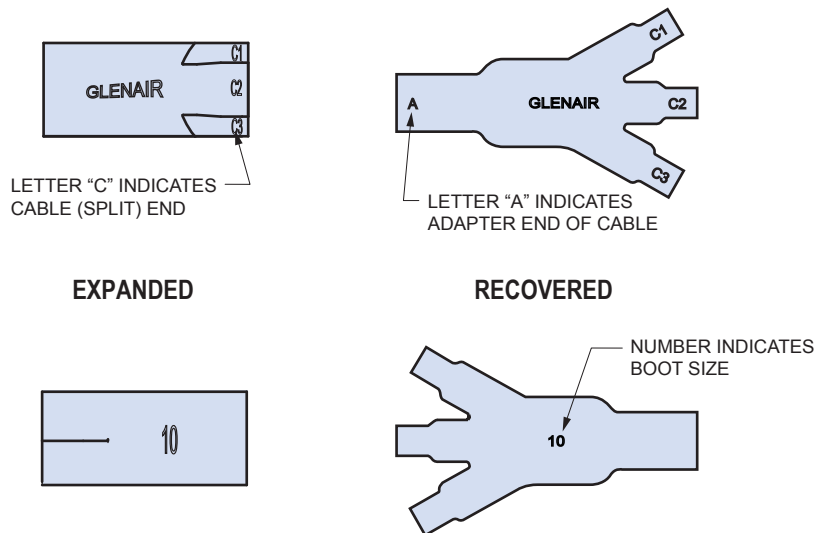
## 770-013 1:3 Wide Body Heat Shrink Transition Dimensions

### 1:3 Heat Shrink Transition: Dimensions



Dimensions													
Size	Glenair US Part Marking	SA85049 /142 Figure 3 Ref	Ae Min Dia	C1e, C2e, C3e Min Dia	Ar Max Dia	C1r, C2r, C3r Max Dia	At ±20%	Ct ±20%	P ±10%	R Ref	S Ref	U (As Recovered) ±10	T (As Recovered) ±10
09	09	09	.52 (13.2)	.26 (6.6)	.26 (6.6)	.14 (3.6)	.06 (1.5)	.04 (1.0)	1.82 (46.2)	1.00 (25.4)	.82 (20.8)	0.62 (15.7)	1.20 (30.5)
10	10	10	1.06 (26.9)	.51 (13.0)	.53 (13.5)	.28 (7.1)	.10 (2.5)	.06 (1.5)	3.67 (93.2)	1.98 (50.3)	1.69 (42.9)	1.30 (33.0)	2.25 (57.2)
11	11	11	1.52 (38.6)	.76 (19.3)	.75 (19.1)	.39 (9.9)	.12 (3.0)	.07 (1.8)	5.32 (135.1)	2.90 (73.7)	2.42 (61.5)	1.80 (45.7)	3.50 (88.9)
12	12	12	2.19 (55.6)	1.06 (26.9)	1.00 (25.4)	.49 (12.4)	.18 (4.6)	.12 (3.0)	7.56 (192.0)	4.06 (103.1)	3.50 (88.9)	2.80 (71.1)	4.80 (121.9)
13	13	13	3.60 (91.4)	1.80 (45.7)	2.15 (54.6)	1.08 (27.4)	.28 (7.1)	.18 (4.6)	15.37 (390.4)	8.31 (211.1)	7.06 (179.3)	5.00 (127.0)	10.0 (254.0)

### 1:3 Heat Shrink Transition: Part Marking, Raised Lettering



## X-ON Electronics

Largest Supplier of Electrical and Electronic Components

*Click to view similar products for [Heat Shrink Cable Boots & End Caps](#) category:*

*Click to view products by [Glenair](#) manufacturer:*

Other Similar products are found below :

[577159N001](#) [618803-000](#) [645494-000](#) [CX4132-000](#) [687025-000](#) [D33548-000](#) [F27131-000](#) [F85868-000](#) [770-005S105](#) [770-010Y106W1](#)  
[770-013210W1](#) [770-013311](#) [770-013312](#) [770-018S202W1](#) [770-018S205W1](#) [806542N001](#) [808059-000](#) [808362-000](#) [809125-000](#) [809218-000](#)  
[812014-000](#) [812047-000](#) [813767N002](#) [814741-000](#) [819117N001](#) [823026-000](#) [841189N001](#) [861471-000](#) [950764-000](#) [957073-000](#) [982033-2](#)  
[A77813-000](#) [D96192-000](#) [EN3BOOTLKIT](#) [1954015-1](#) [200W531-3-0](#) [202A163-4-0-CS5067](#) [202A343-3-00-0](#) [202B221-13-0](#)  
[202B563-25-07-0](#) [202D121-4-01/86-0](#) [202D211-3-22/42-0](#) [202D221-4-0-CS8970](#) [202D221-4-22/180-0](#) [202D263-25-08-0](#) [202E334-51-0-](#)  
[CS5324](#) [202E336-71-0](#) [202F211-50-22-0-CS8474](#) [202F242-51-04/164-0](#) [202K132-25-01/225-0CS8387](#)