



SERIES 77 Heat Shrink Transitions



770-013 1:3 Wide Body Heat Shrink Transition How to Order



1:3 wide body transition heat shrink transitions provide an easy to install and rugged cable routing solution. Transitional boots are available in eight material options with five adhesive choices. All Adhesive lined and unlined shrink books are RoHS compliant. Transitional boots are water-tight when equipped with factory installed or user-installed adhesive. Choose boot size based on cable diameter.

How to Order						
Sample Part Number		770	-013	1	09	W1 -PP
Product Series	770 = Series 77 shrink boot					
Basic Number	013 = Basic number					
Material	See material and adhesives table					
Boot Size	09, 10, 11, 12, 13 Based on cable diameter					
Adhesive Lined	W1, W2, W3, R, U, Omit for no adhesive; see material and adhesives table for compatibility					
Potting Port	PP = Potting Ports/Vent Ports Omit for none					

Material and Adhesive Compatibility							
Material Code	Material Description (Compound No.)	Hot Melt Adhesives			High Performance Epoxy Adhesives		
		W1	W2	W3 (TACCOM approved)	R	U	
		High Temperature -55°C to 125°C	Standard -55°C to 70°C	Elastomeric -55°C to 125°C	Pre-Coat -75°C to 150°C	Two-Part -75°C to 155°C	
1	High-Performance Semi-Rigid Elastomer (2025)	●	●		●	Type U epoxy adhesive is compatible with all boot materials. Ordered separately, user-installed (779-001). Order boot with no adhesive lining.	
2	Zero Halogen Semi-Rigid Polyolefin (2010)	●	●		●		
3	General Purpose Flexible Polyolefin (2040)		●				
5	Viton Fluoroelastomer Blend (2050)	●		●	●		
6	High Performance Elastomer Alloy (2051)	●		●			
7	Semi-Rigid Polyolefin (2071)	●	●				
8	Low Outgassing Fluoropolymer Alloy (2008)	Material Type 8 not available with pre-coat adhesive. Use Type U two-part epoxy					
9	Low Temp Flexible Polyolefin (2013)		●				

NOTES

1. See **Modification Codes** listed in Section A for material color options available for **Type 1 (compound 2025)** material.

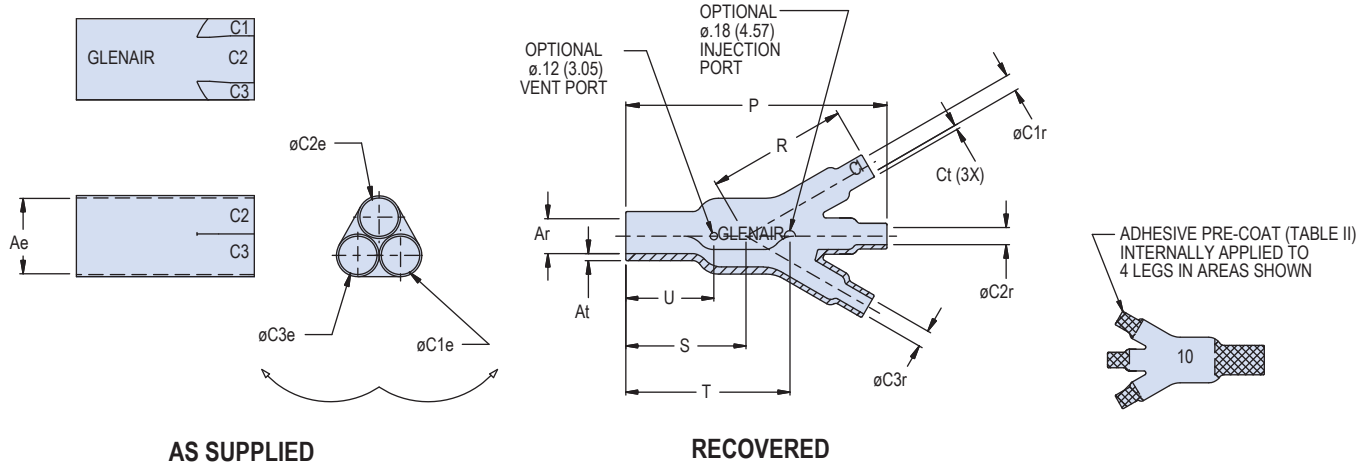


SERIES 77 Heat Shrink Transitions



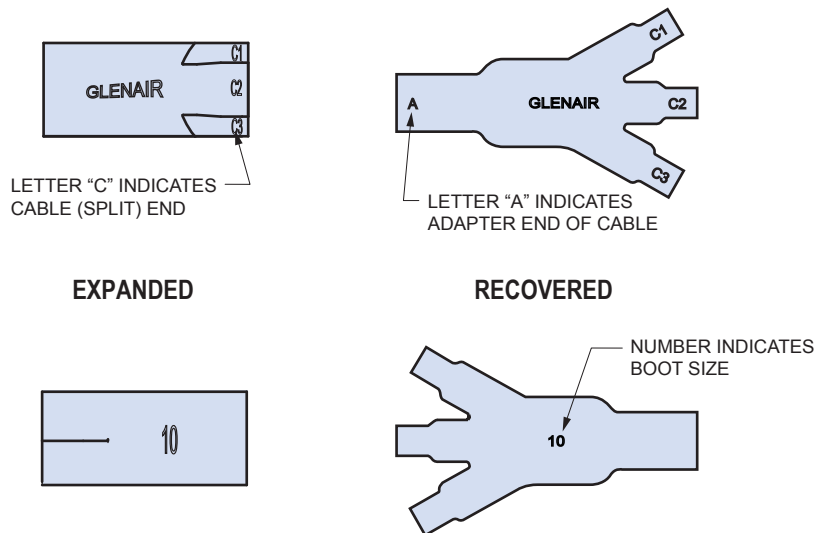
770-013 1:3 Wide Body Heat Shrink Transition Dimensions

1:3 Heat Shrink Transition: Dimensions



Dimensions													
Size	Glenair US Part Marking	SA85049 /142 Figure 3 Ref	Ae Min Dia	C1e, C2e, C3e Min Dia	Ar Max Dia	C1r, C2r, C3r Max Dia	At ±20%	Ct ±20%	P ±10%	R Ref	S Ref	U (As Recovered) ±10	T (As Recovered) ±10
09	09	09	.52 (13.2)	.26 (6.6)	.26 (6.6)	.14 (3.6)	.06 (1.5)	.04 (1.0)	1.82 (46.2)	1.00 (25.4)	.82 (20.8)	0.62 (15.7)	1.20 (30.5)
10	10	10	1.06 (26.9)	.51 (13.0)	.53 (13.5)	.28 (7.1)	.10 (2.5)	.06 (1.5)	3.67 (93.2)	1.98 (50.3)	1.69 (42.9)	1.30 (33.0)	2.25 (57.2)
11	11	11	1.52 (38.6)	.76 (19.3)	.75 (19.1)	.39 (9.9)	.12 (3.0)	.07 (1.8)	5.32 (135.1)	2.90 (73.7)	2.42 (61.5)	1.80 (45.7)	3.50 (88.9)
12	12	12	2.19 (55.6)	1.06 (26.9)	1.00 (25.4)	.49 (12.4)	.18 (4.6)	.12 (3.0)	7.56 (192.0)	4.06 (103.1)	3.50 (88.9)	2.80 (71.1)	4.80 (121.9)
13	13	13	3.60 (91.4)	1.80 (45.7)	2.15 (54.6)	1.08 (27.4)	.28 (7.1)	.18 (4.6)	15.37 (390.4)	8.31 (211.1)	7.06 (179.3)	5.00 (127.0)	10.0 (254.0)

1:3 Heat Shrink Transition: Part Marking, Raised Lettering



X-ON Electronics

Largest Supplier of Electrical and Electronic Components

Click to view similar products for [Heat Shrink Tubing and Sleeves](#) category:

Click to view products by [Glenair](#) manufacturer:

Other Similar products are found below :

[5685710001](#) [CR9960-000](#) [5734012004](#) [607381P039](#) [611112-000](#) [6284592002](#) [CX4711-000](#) [CZ1420-000](#) [D-306-38](#) [770-006S302](#) [770-010Y106W1](#) [770-018S103](#) [770-018S202W1](#) [770-018S205W1](#) [770-020S704W1](#) [770-020S705](#) [MFP-1/4"-Clear](#) [MFP-3/64"-Clear](#) [790-3012](#) [MHHT-4-15K2-G-104](#) [8003012003](#) [MIL-LT-1-1/2-4-SP](#) [MIL-LT-1-1/2-9-STK](#) [MIL-LT-1/2-2-STK](#) [MIL-LT-3-0-SP](#) [MIL-LT-3/32-0-SP](#) [MIL-LT-3/32-6-SP](#) [MIL-LT-3/4-4-STK](#) [MIL-LT-3/4-6-SP](#) [839602-000](#) [8423-6](#) [FP301-116-48"-Clear](#) [FP301-12-6"-Clear](#) [FP301-1/4-48"-White-Hdr](#) [FP301-18-48"-Black-Hdr](#) [FP301-1/8-6"-Black](#) [FP301-18-6"-Black-Bulk](#) [FP301-316-48"-Blue-Hdr](#) [FP301-34-48"-Green-Hdr](#) [912229N002](#) [R280637030](#) [HDT-0300-48A-BLACK](#) [HDT-0400-48A-Black](#) [HDT-0800-48A-RED](#) [HDT1100-48A-BLK](#) [HDT1500-48A-BLK](#) [HDT-2000-48A-Black](#) [RHW-70/20-1200/ADH-0](#) [DWP-125-0.450-4-55MM-CS879](#) [156082-000](#)