



SERIES 77 Lipless Boots



770-019SB Shim Boot How to Order



Lipless, shim boots provide mechanical and environmental protection from damage and debris. Straight boots are available in eight material options with five adhesive choices. Glenair straight shim boots are made in accordance with AS85049 and fit most circular connectors. All adhesive lined and unlined shrink boots are RoHS compliant. Shim shrink boots are water-tight when equipped with factory installed or user-installed adhesive. Lipless boots bind to accessory threads at rear of connector without an additional adapter resulting in a lower profile and can be ordered with potting holes to fit your requirements. Choose boot size based on connector's rear thread diameter and cable diameter.

D

How to Order					
Sample Part Number	770	-019SB	6	03	W3
Product Series	770 = Series 77 shrink boot				
Basic Number	019SB = lipless shim boot without eyelet				
Material	See material and adhesives table				
Boot Size	01, 02, 03, 04; see shell size cross reference in dimensions table				
Adhesive Lined	Omit for none; see material and adhesives table				

Material and Adhesive Compatibility						
Material Code	Material Description (Compound No.)	Hot Melt Adhesives			High Performance Epoxy Adhesives	
		W1	W2	W3 (TACOM approved)	R	U
		High Temperature -55°C to 125°C	Standard -55°C to 70°C	Elastomeric -55°C to 125°C	Pre-Coat -75°C to 150°C	Two-Part -75°C to 155°C
1	High-Performance Semi-Rigid Elastomer (2025)	●	●		●	Type U epoxy adhesive is compatible with all boot materials. Ordered separately, user-installed (779-001). Order boot with no adhesive lining.
2	Zero Halogen Semi-Rigid Polyolefin (2010)	●	●		●	
3	General Purpose Flexible Polyolefin (2040)		●			
5	Viton Fluoroelastomer Blend (2050)	●		●	●	
6	High Performance Elastomer Alloy (2051)	●		●		
7	Semi-Rigid Polyolefin (2071)	●	●			
8	Low Outgassing Fluoropolymer Alloy (2008)	Material Type 8 not available with pre-coat adhesive. Use Type U two-part epoxy				
9	Low Temp Flexible Polyolefin (2013)		●			

NOTES

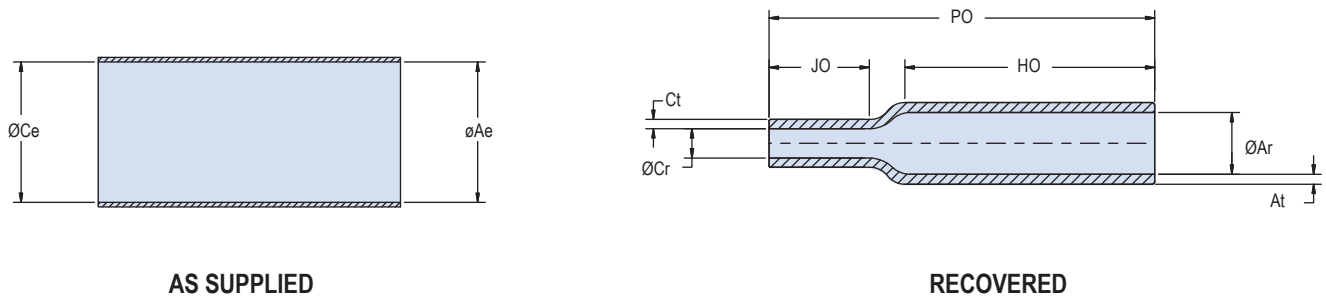
1. See **Modification Codes** listed in Section A for material color options available for **Type 1 (compound 2025)** material.
2. See **Reference Information** pages in this section for material and adhesive selection guides



SERIES 77
Lipless Boots
770-019SB Shim Boot
Dimensions



Lipless Straight Shrink Boots: Dimensions

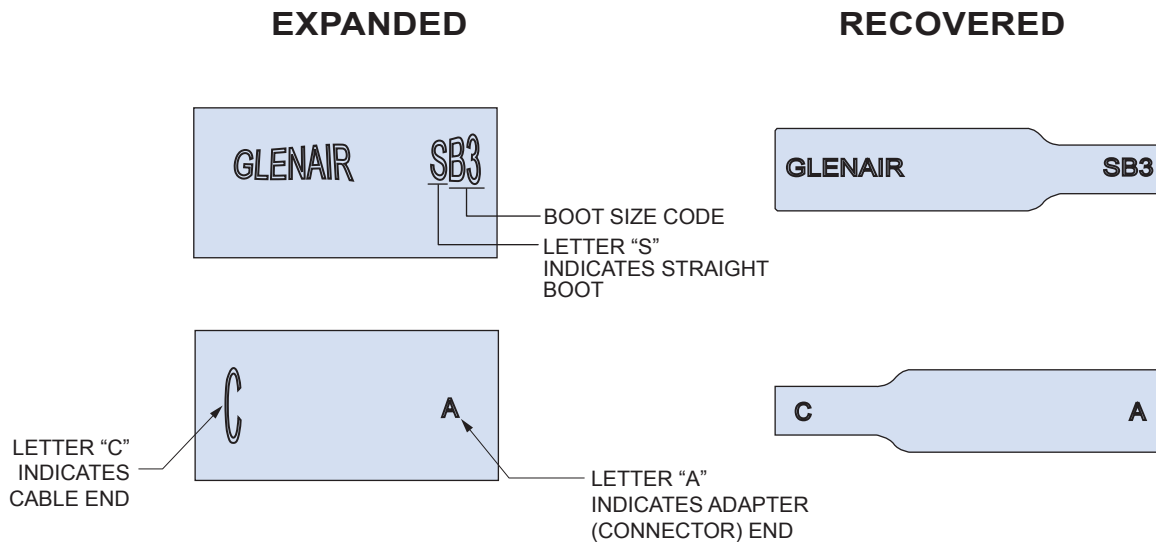


Dimensions											
Boot Size	Glenair US Part Marking	Tacom Part No. (Ref)	Ae Min. Dia.	Ar Max. Dia.	At $\pm 10\%$	Ce Min. Dia.	Cr Max. Dia.	Ct $\pm 10\%$	PO $\pm 10\%$	HO $\pm 10\%$	JO $\pm 10\%$
01	SB1	12273164-1*	.500 (12.7)	.420 (10.7)	.060 (1.52)	.440 (11.2)	.110 (2.8)	.060 (1.52)	2.50 (63.5)	1.620 (41.1)	.620 (15.7)
02	SB2	12273164-3*	.820 (20.8)	.420 (10.7)	.060 (1.52)	.810 (20.6)	.210 (5.3)	.060 (1.52)	2.50 (63.5)	1.620 (41.1)	.650 (16.5)
03	SB3	12273164-2*	.870 (22.1)	.740 (18.8)	.090 (2.29)	.440 (11.2)	.100 (2.5)	.060 (1.52)	2.10 (53.3)	1.100 (27.9)	.620 (15.7)
04	SB4	12273164-4*	.870 (22.1)	.740 (18.8)	.090 (2.29)	.810 (20.6)	.310 (7.9)	.060 (1.52)	2.10 (53.3)	1.100 (27.9)	.650 (16.5)

D

For materials Type 2, Type 3 and Type 9, dimension 'Ce' is nominal

Lipless Straight Boots: Part Marking, Raised Lettering



X-ON Electronics

Largest Supplier of Electrical and Electronic Components

Click to view similar products for [Heat Shrink Cable Boots & End Caps](#) category:

Click to view products by [Glenair](#) manufacturer:

Other Similar products are found below :

[577159N001](#) [618803-000](#) [645494-000](#) [CX4132-000](#) [687025-000](#) [D33548-000](#) [F27131-000](#) [F85868-000](#) [770-005S105](#) [770-010Y106W1](#)
[770-013210W1](#) [770-013311](#) [770-013312](#) [770-018S202W1](#) [770-018S205W1](#) [806542N001](#) [808059-000](#) [808362-000](#) [809125-000](#) [809218-000](#)
[812014-000](#) [812047-000](#) [813767N002](#) [814741-000](#) [819117N001](#) [823026-000](#) [841189N001](#) [861471-000](#) [950764-000](#) [957073-000](#) [982033-2](#)
[A77813-000](#) [D96192-000](#) [EN3BOOTLKIT](#) [1954015-1](#) [200W531-3-0](#) [202A163-4-0-CS5067](#) [202A343-3-00-0](#) [202B221-13-0](#)
[202B563-25-07-0](#) [202D121-4-01/86-0](#) [202D211-3-22/42-0](#) [202D221-4-0-CS8970](#) [202D221-4-22/180-0](#) [202D263-25-08-0](#) [202E334-51-0-](#)
[CS5324](#) [202E336-71-0](#) [202F211-50-22-0-CS8474](#) [202F242-51-04/164-0](#) [202K132-25-01/225-0CS8387](#)