

**G**lenair®



## Series 77 “Full Nelson” Environmental Shrink Boots

*Plus Transitions, Convoluted Boots, and  
Adapters For Harsh-Environment  
Cable Assemblies*



United States ■ United Kingdom ■ Germany ■ France ■ Nordic ■ Italy ■ Spain ■ Japan

**SERIES 77**

# FULL NELSON

SHRINK BOOTS • CABLE TRANSITIONS • CONVOLUTED BOOTS



Nothing conjures up the image of an unbreakable hold like a Standing Full Nelson. Properly applied, this classic Greco-Roman wrestling move is simply unbeatable. We'd like to think the same holds true for our Series 77 Full Nelson Environmental Shrink Boots. Properly applied, these adhesive-lined shrink boots provide a dependable, leak-proof seal for interconnect cable assemblies. So if you're worried about sealing effectiveness, if you want long-lasting environmental protection, if you want an ingress prevention solution that won't lose its grip after years and years of service, get a Series 77 Full Nelson—the environmental shrink boot with the iron grip of a championship wrestler.



# Series 77 Shrink Boots Table of Contents



<b>Introduction</b>		Table of Contents..... A-1 Product Introduction ..... A-2 Boot Selection Guide..... A-3 Material Properties ..... A-4 Adhesives Performance Specifications ..... A-5 Compound Material Performance Specifications..... A-8	<b>A</b>
<b>Lipped Straight Adapter Shrink Boots</b>		Lipped Straight Adapter Shrink Boots, Standard ..... B-1 Lipped Straight Adapter Shrink Boots, Short ..... B-6 Lipped Straight Adapter Shrink Boots, Long Tail ..... B-11 Lipped Straight Adapter Shrink Boots, AEGIS Qualified, Long Tail ... B-16 Lipped Straight Adapter Shrink Boots, High Ratio ..... B-17	<b>B</b>
<b>90° Right Angle and 45° Angle Lipped Adapter Boots</b>		90° Right Angle Lipped Adapter Shrink Boots ..... C-1 45° Angle Lipped Adapter Shrink Boots ..... C-6	<b>C</b>
<b>Straight Lipless Boots</b>		Straight Lipless Shrink Boots ..... D-1	<b>D</b>
<b>90° Right Angle Lipless Boots</b>		90° Right Angle Lipless Shrink Boots ..... E-1	<b>E</b>
<b>Convuluted Boots</b>		Convuluted Shrink Boots ..... F-1	<b>F</b>
<b>"Y" and "T" Transitions</b>		Low Profile "Y" ..... G-2 Wide Body "Y" ..... G-4 Low Profile "T" ..... G-6 Wide Body "T" ..... G-8 Low Profile 1:3 ..... G-10 Wide Body 1:3 ..... G-12 Wide Body 1:4 ..... G-14	<b>G</b>
<b>Shrink Boot Adapters</b>		Shrink Boot Adapter Selection Guide ..... H-1 Interface Dimensions and Standards ..... H-2 Materials and Finishes ..... H-3 Shrink Boot Adapters ..... H-6	<b>H</b>
<b>Adhesives and Installation Instructions</b>		Two Part Epoxy and Dispensing Gun ..... I-1 General Boot Installation Guide ..... I-2 Two Part Epoxy Installation Guide ..... I-6 Type R One Part Epoxy Installation Guide ..... I-7 Type W1 High Temp Hot Melt Installation Guide ..... I-8 Type W2 Hot Melt Installation Guide ..... I-9	<b>I</b>
<b>Part Number Index and Cross-Reference</b>		Part Number Index ..... J-1 Cross-Reference ..... J-9	<b>J</b>



## Series 77 Shrink Boots Introduction

# Outstanding Environmental Protection and Strain Relief

A

### Introduction

Shrink boots provide mechanical and environmental protection to connector-to-cable transitions. Specially formulated polymers are injection-molded, then heated and expanded. The shape-memory property of the material allows it to return to its original shape when heated with a hot air gun. Optional adhesive coatings on the inside of the boot provide a watertight, high-strength bond to the cable jacket and the connector or adapter.



### RoHS Compliant

Shrink boots are fully RoHS compliant, including adhesive-lined versions.

### Expanded Boots

Shrink boots are supplied in expanded form. The boot is heated, stretched on a mandrel, then cooled. The boot retains its expanded form until heat is applied.



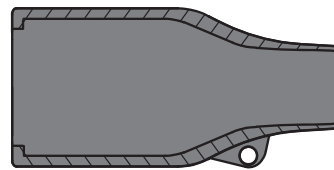
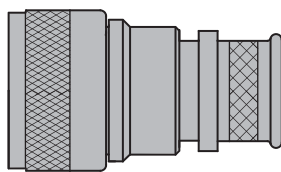
Expanded Right Angle Boot

### Recovered Boots

Application of heat restores the boot to its original dimensions.

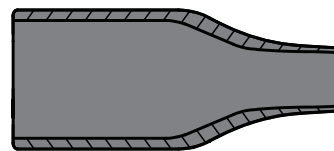
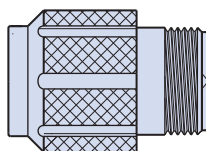


Recovered Right Angle Boot



### Adapter Boots with Lip

Adapter boots are designed for use with connector adapters which attach to mil spec circular connectors. Adapters have a boot groove to accept an interlocking lip on the boot for improved strength. These adapters accept both shielded and unshielded cable. Adapters can be unthreaded from the connector for repair of damaged connector pins.

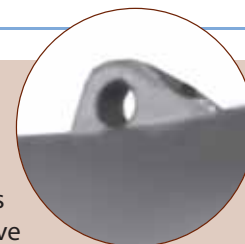


### Lipless Boots

Lipless boots are designed for direct attachment to connector threads. The adapter is eliminated, saving weight and space. Adhesive lining provides sealing and improved mechanical strength.

### Eyelets

Glenair offers standard, short, long and 90° lipped boots with an optional eyelet. Eyelets provide users a convenient way to attach connector accessories—such as lanyards and dust caps—directly to the shrink boot. All eyelets have a nominal .079 (2.0mm) inside diameter in the recovered state.



### Available Boot Materials

**Standard lipped and lipless shrink boots** are available in three materials: Type 1 high performance elastomer provides improved resistance to heat, oils and fuels and is available in a wide range of colors including desert tan. Type 2 zero halogen material is intended for applications where low toxicity is a must. Type 3 general purpose flexible polyolefin is a good choice for occasional exposure to heat and chemicals. **Multi-leg "Y" and "T" transitions** are available in the three materials just described as well as three additional materials: Type 5 Viton polymer blend is highly flexible, fluid and temperature resistant. Type 6 high-performance elastomer meets the SCX1512 specification and is ideal for use in molded shapes that require greater flexibility. Type 7 flexible polyolefin boasts excellent fluid and solvent resistance, and is ideal for use in military and automotive applications. **Convolute boots** are available in three materials: the Type 5 Viton polymer blend, Type 6 high performance elastomer and Type 7 flexible polyolefin.

## Series 77 Shrink Boots Boot Selection Guide



### Lipped Shrink Boots for Use with Boot Adapters:



**Standard Boots**  
Pages B-1 - B-5  
770-001S, 770-003S

Available in ten sizes, standard boots fit adapters from .250" (6.35) to 2.470" (62.70) diameter.



**Short Boots**  
Pages B-6 - B-10  
770-002S, 770-004S

Available in seven sizes, short boots fit adapters from .450" (11.43) to 2.470" (62.70) diameter. Use where space is limited.



**Long Tail Boots**  
Pages B-11 - B-15  
770-006S

Available in ten sizes, long tail boots fit adapters from .500" (12.70) to 3.200" (81.30) diameter, providing added protection to open wire bundles or extra-long stripped cable ends.



**High Ratio Boots**  
Pages B-16 - B-20  
770-007S

Available in four sizes, high ratio boots fit adapters from .525" (13.34) to 1.650" (41.91) diameter. High ratio boots are used when the wire bundle or cable is much smaller diameter than normal.



**90° and 45° Angle Boots**  
Pages C-1 - C-10  
770-001A, 770-003A,  
770-001B, 770-003B

Available in eight sizes, 90° and 45° angle boots fit adapters from .350" (8.89) to 2.550" (64.80) diameter.

### Convolute Boots:



**Convolute Boots**  
Pages F-1 - F-3  
770-022C

Available in six sizes, convolute boots fit adapters from .250" (6.35) to 1.500" (38.10)

### Lipless Boots for Direct Connector Attachment:



**Standard Boots**  
Pages D-1 - D-4  
770-005S

Available in eleven sizes, standard boots fit connectors from .250" (6.35) to 3.200" (81.30) diameter.



**Right Angle Boots**  
Pages E-1 - E-4  
770-005A

Available in eight sizes, right angle boots fit connectors from .250" (6.35) to 2.000" (50.80) diameter.

### Multi-Leg "Y" and "T" Transitions:



**"Y" Transitions**  
Pages G-1 - G-4  
770-009Y, 770-010Y

Available in seven sizes and two body styles (low profile and wide body), "Y" transitions fit cables from Ø .200" (5.08) to .400" (10.16)



**"T" Transitions**  
Pages G-5 - G-8  
770-011T, 770-012T

Available in four sizes and two body styles (low profile and wide body), "T" transitions fit cables from Ø .100" (2.54) to 1.250" (31.75)



**1:3 and 1:4 Transitions**  
Pages G-9 - G-14  
770-013, 770-014, 770-015

Available in 1 to 3 (low profile and wide body) and 1 to 4 (wide body), multi-leg transitions fit cables from Ø .200" (5.08) to 2.00" (50.8)



## Series 77 Shrink Boots Material Properties

### Shrink Boot Typical Material Properties

Property	Type 1 High Performance Elastomer	Type 2 Zero Halogen Polyolefin	Type 3 General Purpose Polyolefin	Type 5 Viton Fluoroelastomer Blend	Type 6 High Performance Elastomer Alloy	Type 7 Flexible Polyolefin
Flexibility	Semi-rigid	Semi-flexible	Flexible	Flexible	Flexible	Highly Flexible
Operating Temperature Range	-75°C to +150°C	-40°C to +130°C	-55°C to +135°C	-55°C to +150°C	-55°C to +135°C	-55°C to +135°C
Shrink Temperature (min.)	135°C	135°C	120°C	135°C	135°C	135°C
Tensile Strength (psi)	1700	1100	1400	2200	1500	1400
Elongation (% min.)	400	250	400	400	300	250
Long Term Heat Aging	3000 hrs, 150°C	3000 hrs, 130°C	168 hrs, 175°C	168 hrs, 150°C	168 hrs, 150°C	168 hrs, 175°C
Heat Shock	4 hrs, 215°C	4 hrs, 200°C	4 hrs, 225°C	4 hrs, 225°C	4 hrs, 220°C	4 hrs, 250°C
Heat Aging	168 hrs, 160°C	168 hrs, 175°C	168 hrs, 175°C	168 hrs, 150°C	168 hrs, 150°C	168 hrs, 175°C
Dielectric Strength (V/mil)	300	380	250	200	200	300
Volume Resistivity (ohms-cm)	10 <sup>13</sup>	10 <sup>12</sup>	10 <sup>12</sup>	10 <sup>10</sup>	10 <sup>10</sup>	10 <sup>12</sup>
Water Absorption (%)	0.5	0.5	0.5	0.5	0.5	0.5
Flammability	Burn Time <15 sec Burn Length <25mm	Burn Time <15 sec Burn Length <25mm	Burn Time <120 sec Burn Length <25mm	Burn Time <120 sec Burn Length <25mm	Burn Time <120 sec Burn Length <25mm	Burn Time <90 sec Burn Length <25mm
RoHS Compliant	Yes	Yes	Yes	Yes	Yes	Yes
Oxygen Index (% min.)		30				
Temperature Index (°C)		250				
Smoke Index (max.)		20				
Toxicity Index (max.)		3				

### Shrink Boot Fluid Resistance

Fluid	Type 1 High Performance Elastomer	Type 2 Zero Halogen Polyolefin	Type 3 General Purpose Polyolefin	Type 5 Viton Fluoroelastomer Blend	Type 6 High Performance Elastomer Alloy	Type 7 Flexible Polyolefin
Lubricating Oil	Very good	Good	Good	Excellent	Excellent	Good
Hydraulic Fluid	Very Good	Good	Good	Excellent	Excellent	Good
Aviation Fuel	Very Good	Good	Good	Excellent	Excellent	Fair
Gasoline	Very Good	Fair	Fair	Excellent	Excellent	Good
De-Icing Fluid	Excellent	Very Good	Good	Excellent	Excellent	Good
Automotive Diesel	Good	Fair	Very Good	Excellent	Excellent	Fair

### Material Color Options for Type 1 High Performance Elastomer Only Add Optional Color Mod Code to End of Any Type 1 Material Part Number

Mod Code	Color	Similar to (Reference)	Mod Code	Color	Similar to (Reference)
632 B	Blue	PANTONE 3005U	632 R	Red	PANTONE 1797U
632 E	Grey	FED-STD-595; #36270	632 T	Tan	FED-STD-595; #33446
632 G	Green	PANTONE 355U	632 W	White	FED-STD-595; #37875
632 P	Purple	FED-STD-595; #37100	632 Y	Yellow	PANTONE YELLOW U
632 O	Orange	FED-STD-595; #32300	Standard	Black	FED-STD-595; #37038

# Series 77 Shrink Boots Adhesives Performance Specifications



## What is the Purpose of Adhesive Lined Shrink Boots?

Heat-shrink boots are not watertight unless equipped with factory-installed or user-installed adhesives. When heat is applied to the boot, the adhesive melts and fixes the boot to the adapter and cable jacket to provide the necessary sealing as well as mechanical strain-relief. Hot melt thermoplastic polyamide adhesive is compatible with most cable jackets, economical and easy to install. Glenair hot melt adhesives of this type are available in two temperature ranges: "W1" for -55° to +125°C, and "W2" for -40° to +80°C. But for maximum temperature range and best adhesion epoxy-lined boots are recommended. Glenair Type "R" one-part epoxy precoat provides protection from -75° to +150°C with high strength. **NOTE: This Data sheet summarizes the general performance values, test results and competitive advantages of the Glenair Series 77 adhesives. For unabridged adhesive test data please consult the factory.**

**Table 1: Glenair Series 77 Boots Adhesive Types**

Attribute	W2 Standard Hot Melt Adhesive	W1 High Temperature Hot Melt Adhesive	U Two Part Epoxy Adhesive	R High Performance Epoxy Adhesive
Boot Material Compatibility	Type 1, 2, 3 and 7	Type 1, 2, 5, 6 and 7	All Materials	Type 1, 2 and 5
Continuous Operating Temp.	-40° to +80°C	-55° to +125°C	-75° to + 150°C	-75° to +150°C
Resistance to Fuels, Oils & Fluids	Good	Good	Excellent	Excellent
Low Toxicity, Zero Halogen	Yes	Yes	No	Yes

## How is Adhesive Performance Measured?

There are three specifications for adhesives in the heat shrink world, SAE AS5258, VG95343 part 14, 15 and 18, and IEC 62329-3-101 and 102. All three specifications evaluate peel and shear strength for harness test assemblies. **NOTE: All Glenair adhesives and adhesive-lined boots meet or exceed their controlling specifications in every category—with ample safety margins (Type R adhesive is qualified to part VG95343 part 18).** While dynamic shear, static load, flexibility and peel adhesion may vary from one boot manufacturer to the next, all such products must meet the standards of the controlling specifications to be considered suitable for use in high-reliability applications.

## Are All Adhesives that Satisfy the Controlling Specifications the Same?

Glenair's goal is to win over the market with high-quality products and outstanding customer service. As mentioned, we have designed our boots to meet or exceed all qualification standards with significant safety margins. But passing a test is only part of the story, since how well a boot "sticks" is a complex question that involves the boot material itself, a well-matched adhesive, the adhesive application process, and correct activation and installation by the user.

The most direct method to evaluate boot product design, processing, and installation is to apply a load to the boot-equipped cable at room and elevated temperatures. The load is either applied incrementally until failure mode is reached (dynamic shear) or with a set weight for a set period of time (static load). In other tests, adhesion is measured by peeling the moulded parts from connectors and cables.

Glenair uses adhesive-lined shrink boot products manufactured by Tyco/Raychem and Hellermann as benchmarks in all testing. The VG and SAE qualification standards have essentially been written with quoted values from these organizations' (principally Raychem's) own test suites. So when we say our products meet the standards in these controlling specifications, we are also stating categorically they perform competitively to other solutions available today. But this does not mean the products are all the same. Even though they all pass the same tests, in some areas the Glenair adhesive-lined boots outperform competitor products.



## Series 77 Shrink Boots Adhesives Performance Specifications

### Head-to-Head Comparison of Adhesives

As stated, to provide comparable products and performance, Glenair adhesives are designed to match up against Raychem and Hellermann boot materials and adhesives. The four Glenair adhesives consist of a high performance two-part epoxy which is described as "U" in the USA and IEC specs, a one-part epoxy described as "R" in the USA and IEC specs and two pre-coated hot melts described as "W1 and W2" in the USA and IEC specs. Manufacturer adhesive codes are explained in the following table:

**Table 2: Glenair and Competitor Adhesive Code Descriptions**

Adhesive Type	Description	Temp Range	Applicable Material	Glenair	Raychem	Hellermann
<b>R</b>	One-part epoxy, pre-coated	-75° to 150° C	Mil. A H Glenair 1 Ray -25,-3 Hell G, B7	"R"	/225	W24
<b>U</b>	Two-part epoxy, user installed	-75° to 150° C	Mil A,B,G,H Glenair 1,2,3 Ray -3,-25,-100 Hell B5, G, H	779-001	S1125	V9500
<b>W1</b>	Pre-coated hot melt wide temp range; low smoke zero hal	-55° to 125° C	Mil. A,B,G,H Glenair 1,2 Ray -3,-25,-100 Hell B5,G,H	"W1"	/86	W8
<b>W2</b>	Pre-coated hot melt; limited temp range	-40° to 80° C	Mil A,B,G Glenair 3 Ray -3,-4 Hell J	"W2"	/42 /180	WM250

### Summary of Glenair Adhesive Materials

To provide comparable products and performance, Glenair adhesives are designed to match up on a functional basis against Raychem and Hellermann boot materials and adhesives. The following table summarizes the attributes of each Glenair adhesive:

- U:** Glenair two-part epoxy adhesive (type "U") is identical in make-up, performance and packaging to the Tyco/Raychem (S1125) and Hellermann (V9500) materials. The material is simple to use, very reliable, providing the highest strength and requires no special installation procedures.
- W1:** Type "W1" is a polyamide hot melt adhesive, pre-coated onto heat shrink boots. The adhesive is versatile and bonds well to a variety of substrates. It possesses good creep resistance at elevated temperatures with excellent bond strengths at low temperature (-55°C to 125°C). The material has good resistance to fuels and oils. It provides excellent resistance to stresses with good peel adhesion. The "W1" adhesive provides a simple reliable technology for Glenair type 1 and 2 boot materials. The material is low smoke, zero halogen and our tests show it provides superior performance to competitor products in both shear strength and peel adhesion—particularly in its adhesion and resistance to flex damage on the cable end.



## Series 77 Shrink Boots Adhesives Performance Specifications



**W2:** Type "W2" is a polyamide adhesive compatible with our type 3 boot material that provides very high levels of adhesion and sealing. The material has a limited temperature range of -40°C to +80°C and resists oils at room temperature. Our tests demonstrate this adhesive is equivalent in performance to Raychem and Hellermann materials.

**R:** This is Glenair's highest performance pre-coated epoxy adhesive. The adhesive meets required specification levels of AS 5258 and VG 95343 part 18. Like the Raychem /225 adhesive and the Hellermann W24, ***the material requires careful installation using trained operators.*** The adhesive is capable of withstanding high stresses between -75°C and 150°C and prolonged high temperature immersion in fuels and oils. Peel adhesion is very high to a wide range of materials used to manufacture connectors or backshells including aluminium with various types of plating as well as plated and unplated composite thermoplastics. Type "R" can be used on most cable jacket materials including fluorocarbon rubbers, although fluropolymers such as ETFE and PVDF require surface treatment. **Note: The Glenair one part pre-coated adhesive does not match Raychem /225 for peel adhesion but is much better in direct shear and has better handling properties. The material exhibits no cracking on flexing dynamic shear tests confirming its superior flex resistance—particularly on the cable end of the test assembly.**

The following table lists the controlling specifications for type "R", high-performance adhesives:

Test	TEMP	SAE AS5258	VG95343
Dynamic Shear	23 C	300 N	300 N
	100 C	110 N	110 N
Static Load	23 C	20 kgs	20 kgs
	100 C	5 kgs	5 kgs
Sealing Test (1 bar pressure)	23 C		No leaks
Peel Adhesion	23 C	67 N/25mm	60 N/25mm

***Again, it bears repeating, the Glenair type "R" adhesive meets all the above requirements with significant safety margins. The material delivers Peel Adhesion test values of 100 N/25mm and Dynamic Shear values of 820 N. The Tyco/Raychem /225 adhesive also tests above the requirement with Peel Adhesion test values of 140 N/25mm but with Dynamic Shear values of only 540 N.***

### Conclusion

Glenair has a range of adhesives that meet the published specifications to enable reliable adhesion and long system life. Comparing the four adhesives, the two part "U" epoxies are functionally identical, the W1 hot melt is superior, and the W2 covers the required range and is equivalent.

Glenair's one part pre-coated adhesive ("R") does not match Raychem /225 for peel adhesion but is better in direct shear, has better handling properties, and delivers better flex resistance performance. When installed properly, the material easily meets the "gorilla test" since a peeling force of 100N/25mm (25 lbs) is easily more than a normal person can exert with their fingers. Again, our tests demonstrate the Glenair boot with "R" adhesive is a superior performing product due to its advanced resistance to flex damage such as separation and cracking on the cable-end of the assembly. For complete test result, or a product sample, please contact the factory.



## Series 77 Shrink Boots Pre-Coated One-Part Epoxy Adhesive Type R

### Type R Adhesive Quality Standards

This Quality Assurance Specification establishes the quality standard for a heat-shrinkable elastomeric boot supplied pre-coated with Type R Epoxy Adhesive. For System Tests, part number 770-001S106 boots with a 25mm aluminum backshells and 10mm Raychem DR-25 jacketed cable shall be used. Material for boot manufacture shall comply with GTS 2025. Refer to the product guide for condition to shrink boots. All tests to be carried out 7 days after installation.

### Harness Systems Quality Assurance Specification GTS 4078 Type R Pre-Coated One-Part Epoxy Adhesive Materials Specification

Test	Test Method	Test Requirement
Dynamic Shear Testing	IEC 6329-2	
Test Temperature		Tensile Force Min
23°C		300N
100°C		110 N
150°C		30 N
Static Load	IEC 62329-2	
Test Temperature	Load	
23°C	20kgs	Dynamic Shear 300 N
100°C	5kgs	Maximum Movement 15mm
150°	2 kgs	
Heat Shock	IEC 6239-2	Peel Adhesion >60 N/25mm
4hrs at 215°C		Dynamic Shear >300 N
Heat Aging	IEC 62329-2	Peel Adhesion >60 N/25mm
168hrs at 160°C		Dynamic Shear >300 N
Fluid Resistance	IEC 62329-2	
24hrs Immersion @ 70°C		
Lubricating Oil 0-156		
Aircraft Grease G-354		Dynamic Shear 150 min
Hydraulic Fluid H-520		
Water		
Turbine Fuel F-34		
Peel Adhesion	IEC 62329-2	
Boot to Adapter		>60 N/25mm
Boot to Cable		>60 N/25mm

**Series 77 Shrink Boots**  
**Pre-Coated High-Performance 2-Part Epoxy Adhesive**  
**Type U • -55°C to +150° Temperature Range**



**Type U High Performance Adhesive Quality Standards**

This Quality Assurance Specification establishes the quality standard for a two-part epoxy adhesive supplied in a 50cc duo syringe, part number 779-001. The adhesive conforms to the requirements of VG 95343-15 and test methods are referenced for this standard.

**Harness Systems Quality Assurance Specification GTS 4066**  
**Type U Pre-Coated High Performance 2-Part Epoxy Adhesive Materials Specification**

Test	Test Method	Test Requirement
Aluminum Lap Shear Test	VG 95343-2 5.1	
Temperature		Shear Force min
-55°C		5 kN
23°C		5 kN
50°C		3.5 kN
70°C		2.5 kN
100°C		1.5 kN
120°C		1.3 kN
150°C		1 kN
Fluid Resistance	VG 95443-2 5.19	
F34 70°C		
0-156		Lap Shear 5 kN min
0-236		
G-354		
S-1720		
H520 50°C		
F-67		
H-544		
Heat Shock	VG 95443-2	Lap Shear 5 kN min
24hrs at 215°C		
Heat Aging	IEC 62329-2	Lap Shear 5 kN min
168hrs at 105°C		
Peel Adhesion	IEC 62329-2	
Boot to Adapter		>60 N/25mm
Boot to Cable		>60 N/25mm



## Series 77 Shrink Boots Pre-Coated Polyamide Hot Melt Adhesive Type W1 • -55°C to +125° Temperature Range

### *Type W1 Polyamide Hot Melt Adhesive Quality Standards*

This Quality Assurance Specification establishes the quality standard for a heat-shrinkable elastomeric boot supplied pre-coated with Type W1 Hot Melt Adhesive. For system tests, part number 770-001S106 boots with 25mm aluminum backshells shall be used. Cable jacket shall be ZHTM tubing for 2010 compound, DR-25 for 2025 compound and RNF-100 for 2040 compound (tubing size 3/4 inch, supplied by Raychem). Material for boot manufacture shall comply with relative GTS specification. Refer to product guide for conditions to shrink the boots. All tests to be carried out 7 days after installation.

### *Harness Systems Quality Assurance Specification GTS 4067 Type W1 Pre-Coated Polyamide Hot Melt Adhesive Materials Specification*

Test	Test Method	Test Requirement
Dynamic Shear Testing	IEC 62329-2	
Test Temperature		Tensile Force Min
23°C		300N
100°C		30 N
Static Load	IEC 62329-2	
Test Temperature	Load	
23°C	10kgs	Dynamic Shear 300 N
105°C	0.5kgs	Maximum Movement 15mm
Heat Shock	IEC 62329-2	Peel Adhesion >60 N/25mm
4hrs at 215°C		Dynamic Shear >300 N
Heat Aging	IEC 62329-2	Peel Adhesion >60 N/25mm
168hrs at 105°C		Dynamic Shear >300 N
Fluid Resistance	IEC 62329-2	
24hrs Immersion @ 23°C		Dynamic Shear 150 min
Lubricating Oil 0-156		
Aircraft Grease G-354		
Hydraulic Fluid H-520		
Water		
Turbine Fuel F-34		
Peel Adhesion	IEC 62329-2	
Boot to Adapter		>60 N/25mm
Boot to Cable		>60 N/25mm

**Series 77 Shrink Boots  
Pre-Coated Hot Melt Adhesive  
Type W2 • -40°C to +80° Limited Temperature Range**



**Type W2 Polyamide Hot Melt Adhesive Quality Standards**

This Quality Assurance Specification establishes the quality standard for a heat-shrinkable elastomeric boot supplied pre-coated with Type W2 Hot Melt Adhesive. For system tests, part number 770-001S106 boots with 25mm aluminum backshells shall be used. Cable jacket shall be ZHTM tubing for 2010 compound, DR-25 for 2025 compound and RNF-100 for 2040 compound (tubing size 3/4 inch, supplied by Raychem). Material for boot manufacture shall comply with relative GTS specification. Refer to product guide for conditions to shrink the boots. All tests to be carried out 7 days after installation.

**Harness Systems Quality Assurance Specification GTS 4067  
Type W2 Pre-Coated Hot Melt Adhesive Materials Specification**

Test	Test Method	Test Requirement
Dynamic Shear Testing	IEC 62329-2	
Test Temperature		Tensile Force Min
23°C		150 N
70°C		30 N
Static Load	IEC 62329-2	
Test Temperature	Load	
23°C	10kgs	Dynamic Shear 150 N
70°C	0.5kgs	Maximum Movement 15mm
Heat Aging	IEC 62329-2	Peel Adhesion >60 N/25mm
168hrs at 105°C		Dynamic Shear >150 N
Peel Adhesion	IEC 62329-2	
Boot to Adapter		>60 N/25mm
Boot to Cable		>60 N/25mm



## Series 77 Shrink Boots Compound Material Performance Specifications Type 1

### GTS4025 Compound 2025 Type 1 Heat Shrinkable Elastomeric, Oil Resistant and Flame Retardant Compound - Materials Specification

Description	Test Procedure	Requirement
Visual Examination		Homogenous and essentially free from pinholes, bubbles, flaws, cracks and inclusions, color is black
Tensile Strength	IEC 62329-2	12Mpa minimum
Ultimate Elongation	IEC 62329-2	400% minimum
2% Secant Modulus	IEC 62329-2	80 – 160MPa
Specific Gravity	IEC 62329-2	1.4 Max
Heat Shock 4hrs at 215°C	IEC 62329-2	No dripping or flow Helical bend 20mm diameter, no cracking Tensile Strength 12 MPa minimum Ultimate Elongation 400% minimum
Heat Aging 168hrs at 160°C	IEC 62329-2	Tensile Strength 12 MPa minimum Ultimate Elongation 400 % minimum
Thermal Endurance 3000 hrs at 150°C	IEC 62329-2	Ultimate Elongation 50% minimum Low temperature
Flexibility 4hrs at -75°C	IEC 62329-2	No Cracking
Flammability	IEC 62329-2	Time of burning < 15secs Length of burning < 25mm
Water Absorption 24hrs At 23°C	IEC 62329-2	0.5% maximum
Electric Strength	IEC 62329-2	12 MV/m minimum
Volume Resistivity After Damp Heat	IEC 62329-2	10 <sup>13</sup> ohms cms minimum
Copper Mirror Corrosion	IEC 62329-2	No Corrosion
Fungus Resistance	IEC 62329-2	Tensile Strength 12MPa min Elongation at Break 400% min
Fluid Resistance	IEC 62329-2	Tensile Strength 10 MPa minimum Ultimate Elongation 300% minimum
24hrs immersion in :		
Iso Octane/Toluene (70/30)	40°C	
Lubricating Oil 0-156	100°C	
Lubricating Oil 0-236	100°C	
Lubricating Oil 0-190	70°C	
Aircraft Grease G-354	70°C	
Hydraulic Fluid H-515	70°C	
Damping Fluid S-1724	70°C	
Damping Fluid S-1720	40°C	
Brake Fluid H-542	50°C	
Hydraulic Fluid H-544	70°C	
Hydraulic Fluid Phosphate ester	23°C	
H-580	23°C	
De-icing Fluid S-745	70°C	
Anti Freeze Ethylene glycol/water	70°C	
Turbine Fuel F-34	70°C	
Automotive Gasoline F-67	70°C	
Automotive Diesel ISO-1827 B	70°C	
Propan-2-ol (S737)	23°C	
Sullage	23°C	

# Series 77 Shrink Boots Compound Material Performance Specifications Type 1



Description	Test Procedure	Requirement
Dimensional Stability 14 days at 40°C	IEC 62329-2	Measured dimensional values both expanded and recovered in specification
Dynamic Shear Room Temperature 100°C	IEC 62329-2	>300 N 10mm cable >100 N 10mm cable
Static Load Room Temperature 4hrs 20kgs 100°C 4hrs 5kgs	IEC 62329-2	<15mm movement 10mm cable <15mm movement 10mm cable
Peel Adhesion Boot to Adaptor Boot to Cable	IEC 62329-2	>60N/25mm >60N/25mm
Adhesive for system tests shall be type U from IEC 62329, or an adhesive that meets the requirements of VG 95343 part 15		



## Series 77 Shrink Boots Compound Material Performance Specifications Type 2

### GTS 4063 Compound 2010 Type 2 Heat Shrinkable Polyolefin, Semi-Rigid, Limited Fire Hazard Materials Specification

Description	Test Procedure	Requirement
Visual Examination		Homogenous and essentially free from pinholes, bubbles, flaws, cracks and inclusions, color is black
Tensile Strength	IEC 62329-2	8 Mpa minimum
Ultimate Elongation	IEC 62329-2	250 % minimum
2% Secant Modulus	IEC 62329-2	50 – 130MPa
Specific Gravity	IEC 62329-2	1.4 Max
Heat Shock 4hrs at 200°C	IEC 62329-2	No dripping or flow Tensile Strength 5 MPa minimum Ultimate Elongation 150% minimum
Heat Aging 168hrs at 150°C	IEC 62329-2	Tensile Strength 5 MPa minimum Ultimate Elongation 150 % minimum
Long Term Heat Aging 3000hrs @ 130°C	IEC 62329-2	Ultimate Elongation at break 100 % min
Low Temperature Flex -40°C 20mm mandrel	IEC 62329-2	No Cracking
Water Absorption	IEC 62329	<0.5%
Flammability	EN 62329-2	Time of burning < 15secs Length of burning < 25mm
Water Absorption 24hrs At 23°C	EN 62329-2	0.5% maximum
Electric Strength	EN 62329-2	15 MV/m minimum
Copper Mirror Corrosion	EN 62329-2	No Corrosion
Fungus Resistance	EN 62329-2	Tensile Strength 7 MPa min Elongation at Break 200% min
Oxygen Index	IEC 62329-2	> 30%
Temperature Index	IEC 62329-2	>250°C
Smoke Index	IEC-62329-2	< 20
Toxicity Index	IEC 62329-2	<3 per 100grams
Acid Gas Generation	IEC 62329	pH min 4.3; cond max 10.5 S
Flammability	EN 62329-2	Time of burning < 15secs Length of burning < 25mm
Electric Strength	EN 62329-2	15 MV/m minimum
Volume Resistivity After Damp Heat	EN 62329-2	10 <sup>12</sup> ohms cms minimum
Copper Mirror Corrosion	EN 62329-2	No Corrosion
Fungus Resistance	EN 62329-2	Tensile Strength 7 MPa min Elongation at Break 200% min
Oxygen Index	IEC 62329-2	> 30%
Temperature Index	IEC 62329-2	>250°C
Smoke Index	IEC-62329-2	< 20
Toxicity Index	IEC 62329-2	<3 per 100grams



# Series 77 Shrink Boots

## Compound Material Performance Specifications Type 2



Description	Test Procedure	Requirement
Fluid Resistance 24hrs immersion @ 23°C :- Lubricating Oil 0-156 Lubricating Oil 0-149 Hydraulic Fluid H-520 Damping Fluid S-1720 Hydraulic Fluid Skydrol H580 Antifreeze Ethylene Glycol/Water Turbine Fuel F-34 Automotive Gasoline F-67 Isopropyl Alcohol Methyl Ethyl Ketone	IEC 62329-2	Tensile Strength 5 MPa minimum Ultimate Elongation 150% minimum
Dimensional Stability 14 days at 40°C	EN 62329-2	Measured dimensional values both expanded and recovered in specification
Dynamic Shear Room Temperature 105°C	EN 62329-2	>300 N 10mm cable >30 N 10mm cable
Static Load Room Temperature 4hrs 10kgs 105°C 4hrs 0.5kgs	EN 62329-2	<15mm movement 10mm cable <15mm movement 10mm cable
Peel Adhesion Boot to Adaptor Boot to Cable	IEC 62329-2	>60N/25mm >60N/25mm
Adhesive for system tests shall be W1 from IEC 62329 and boots shall be pre-coated.		



## Series 77 Shrink Boots Compound Material Performance Specifications Type 3

### GTS 4064 Compound 2040 Type 3 Heat-Shrinkable Flexible Polyolefin Materials Specification

Description	Test Procedure	Requirement
Visual Examination		Homogenous and essentially free from pinholes, bubbles, flaws, cracks and inclusions, color is black
Tensile Strength	IEC 62329-2	10Mpa minimum
Ultimate Elongation	IEC 62329-2	400% minimum
2% Secant Modulus	IEC 62329-2	<80 MPa
Hardness Shore A		85-90
Specific Gravity	IEC 62329-2	1.4 Max
Heat Shock 4hrs at 225°C	IEC 62329-2	No dripping or flow Tensile Strength 8 MPa minimum Ultimate Elongation 200% minimum
Heat Aging 168hrs at 175°C	IEC 62329-2	Tensile Strength 8 MPa minimum Ultimate Elongation 200 % minimum
Low temperature Flexibility 4hrs at -55°C	IEC 62329-2	No Cracking
Flammability	IEC 62329-2	Time of burning < 120secs Length of burning < 25mm
Water Absorption 24hrs At 23°C	IEC 62329-2	0.5% maximum
Electric Strength	IEC 62329-2	10 MV/m minimum
Volume Resistivity	IEC 62329-2	10 <sup>12</sup> ohms cms minimum
Copper Mirror Corrosion 16hrs @ 150°C	IEC 62329-2	No Corrosion
Fungus Resistance	IEC 62329-2	Tensile Strength 8MPa min Elongation at Break 200% min
Fluid Resistance 24hrs immersion @ 23°C Hydraulic Fluid H-540 Hydraulic Fluid (Phosphate ester H-580) Turbine Fuel F-34 Automotive Gasoline F-67 Lubricating Oil 0-154 Water	IEC 62329-2	Tensile Strength 6 MPa minimum Ultimate Elongation 200% minimum Weight Uptake < 20%
Dimensional Stability 14 days at 40°C	IEC 62329-2	Measured dimensional values both expanded and recovered in specification

# Series 77 Shrink Boots Compound Material Performance Specifications Type 5



## Compound 2050 Type 5 Materials Specification

Description	Test Procedure	Requirement
Tensile Strength	ASTM D412	Tested in accordance with ASTM D412. Dumbbells injection molded to metric dimensions type B. Samples molded January 2011 at Glenair.
Ultimate Elongation	ASTM D412	Tested in accordance with ASTM D412. Dumbbells injection molded to metric dimensions type B. Samples molded January 2011 at Glenair.
Specific Gravity	ASTM D792	Tested in accordance with ASTM D792. Test specimens 2cms square cut from molded sheet. Molded January 2011 at Glenair.
Hardness	ASTM D2240	Tested in accordance with ASTM D2240. Test sheet molded 4mm thick. Samples molded January 2011 at Glenair.
Low Temperature Flexibility	ASTM D2671	3 off specimens 6" long and 0.25" wide cut from 0.078" molded sheet. Conditioned 4hrs @ - 60°F, flexed around 0.375" mandrel.
Stiffness (Flexural modulus)	ASTM D747	Tested in accordance with ASTM D747. Test sheet molded 2mm thick and samples 6.5mm wide and 100m long cut from it. Samples molded January 2011 at Glenair.
Heat Resistance	ASTM D412	Tested in accordance with ASTM D412. Dumbbells injection molded to metric dimensions type B. Samples molded January 2011 at Glenair. Tensile Strength and Elongation measured after heat Aging 168hrs @ 302° F
Fungus resistance	ASTM G21	Tested in accordance with ASTM G21. Test sheet molded 2mm thick and samples 50mm square cut from it. Samples molded May 2011 at Glenair.
Water Resistance	ASTM D570	Tested in accordance with ASTM D570. Test sheet molded 2mm thick and samples 25mm square cut from it. Samples molded January 2011 at Glenair.
Dielectric Resistance	ASTM D149	Tested in accordance with EN 60243-1 (equivalent to ASTM D570). Test sheet molded 2mm thick and samples 25mm square cut from it. Samples molded January 2011 at Glenair.
Fluid Resistance	ASTM D570	Tested in accordance with ASTM D570 and ASTM D412. Test specimens injection molded, B samples. Molded January 2011. Samples conditioned 24hrs @ specified temperatures. Samples tested immediately after exposure.
77F Gasoline MIL-G-3056 JP-8 MIL-T-5624 122F Diesel Fuel Fed-Std-VV-F-800 122F Lube Oil MIL-L-2104 122F Synth Lube Mil-L-23699 Aeroshell 500 122F Arctic Lube MIL-L-46167 SAE 0W-20 160F Syth Hyd Fluid MIL-H-46170 Aeroshell fluid 41 122F Bore Cleaner MIL-C-372 122F Electrolyte P/N10873919 122F 5% Salt Solution O-S-1926 122F Cleaning Fluid P-C-437 122F Deicing Fluid MIL-A-8243		
Adhesive Compatibility	Peel Tests on specified adhesives	



## Series 77 Shrink Boots Compound Material Performance Specifications Type 6

### Compound 2051 Type 6 Materials Specification

Description	Test Procedure	Requirement
Tensile Strength	ASTM D412	Tested in accordance with ASTM D412. Dumbbells injection molded to metric dimensions type B. Samples molded January 2011 at Glenair.
Ultimate Elongation	ASTM D412	Tested in accordance with ASTM D412. Dumbbells injection molded to metric dimensions type B. Samples molded January 2011 at Glenair.
Specific Gravity	ASTM D792	Tested in accordance with ASTM D792. Test specimens 2cms square cut from molded sheet. Molded January 2011 at Glenair.
Hardness	ASTM D2240	Tested in accordance with ASTM D2240. Test sheet molded 4mm thick. Samples molded January 2011 at Glenair.
Low Temperature Flexibility	ASTM D2671	3 off specimens 6" long and 0.25" wide cut from 0.078" molded sheet. Conditioned 4hrs @ - 60°F, flexed around 0.375" mandrel.
Stiffness (Flexural modulus)	ASTM D747	Tested in accordance with ASTM D747. Test sheet molded 2mm thick and samples 6.5mm wide and 100m long cut from it. Samples molded January 2011 at Glenair.
Heat Resistance	ASTM D412	Tested in accordance with ASTM D412. Dumbbells injection molded to metric dimensions type B. Samples molded January 2011 at Glenair. Tensile Strength and Elongation measured after heat aging 168hrs @ 302°F (213°F required in spec).
Fungus resistance	ASTM G21	Tested in accordance with ASTM G21. Test sheet molded 2mm thick and samples 50mm square cut from it. Samples molded May 2011 at Glenair.
Water Resistance	ASTM D570	Tested in accordance with ASTM D570. Test sheet molded 2mm thick and samples 25mm square cut from it. Samples molded January 2011 at Glenair.
Fluid Resistance 77F Gasoline MIL-G-3056 JP-8 MIL-T-5624 122F Diesel Fuel Fed-Std-VV-F-800 122F Lube Oil MIL-L-2104 122F Synth Lube Mil-L-23699 Aeroshell 500 122F Arctic Lube MIL-L-46167 SAE 0W-20 160F Syth Hyd Fluid MIL-H-46170 Aeroshell fluid 41 122F Bore Cleaner MIL-C-372 122F Electrolyte P/N10873919 122F 5% Salt Solution O-S-1926 122F Cleaning Fluid P-C-437 122F Deicing Fluid MIL-A-8243	ASTM D570	Tested in accordance with ASTM D570 and ASTM D412. Test specimens injection molded, B samples. Molded January 2011. Samples conditioned 24hrs @ specified temperatures. Samples tested immediately after exposure.
Tensile Stress	ASTM D412	Tested in accordance ASTM D412, injection molded specimen.
Dielectric Resistance	ASTM D149	Tested in accordance with EN 60243-1 (equivalent to ASTM D570). Test sheet molded 2mm thick and samples 25mm square cut from it. Samples molded January 2011 at Glenair.
Volume Resistivity	ASTM D257	2mm thick samples tested in accordance ASTM D257
Flammability	ASTM D412	ASTM D4804 method is now ASTM D 635 horizontal burn. 5 samples 5" long, 0.5" wide were cut from a 0.125" molded sheet
Adhesive Compatibility		Peel adhesion using Type 6 boots to Viton cable and adapters using W3 tape.

# Series 77 Shrink Boots Compound Material Performance Specifications Type 7



## Compound 2071 Type7 Materials Specification

Description	Test Procedure	Requirement
3.6.9 Tensile Strength	ASTM D412	Tested in accordance with ASTM D412. Dumbbells injection moulded to metric dimensions type D. Samples moulded January 2011 @ Glenair
3.6.9 Ultimate Elongation	ASTM D412	Tested in accordance with ASTM D412. Dumbbells injection moulded to metric dimensions type D. Samples moulded January 2011 @ Glenair
3.6.10 Heat Shock	4.6.12	Tested in accordance with ASTM D792. Test specimens 150 by 6mm cut from 2mm moulded sheet. Moulded January 2011 @ Glenair. Test temp 225°C
3.6.11 Low Temperature Flexibility	4.6.13	3 off specimens 6" long & 0.25" wide cut from 0.078" moulded sheet. Conditioned 4hrs @ -55°C, flexed around 1.125" mandrel. Test temp -55°C
3.6.17 Fungus Resistance	ASTM G21	Tested in accordance with ASTM G21. Test sheet moulded 2mm thick and samples 50mm square cut from it. Samples moulded May 2011 @ Glenair
3.6.1 Dynamic Shear	4.6.3	Samples as per fig 2 using size 18 Al adaptors and 9mm cable. Adhesive type U two part epoxy 779-001. Heat Shrink boots 770-001S706 used. Tested at 23°C and 100°C
3.6.2 Static Load	4.6.4	Samples as per fig 2 using size 18 Al adaptors and 9mm cable. Adhesive type U two part epoxy 779-001. Heat Shrink boots 770-001S706 used. Tested at 23°C and 100°C
3.6.3 Fluid Resistance Synth Lube Mil-L-23699 Aeroshell 500 Syth Hyd Fluid MIL-H-5606 Aeroshell fluid 41 5% Salt Solution O-S-1926 Deicing Fluid MIL-A-8243	4.6.5	Samples as per 3.6.1 Immersed in test fluid at 50°C. 3 Samples tested for Dynamic Shear 3.6.1 and 3 for Peel 3.6.6
3.6.4 Thermal Aging	4.6.6	Samples as per 3.6.1, Aged at 175°C for 168hrs. 3 samples tested for Dynamic Shear 3.6.1 and 3 for Peel Adhesion 3.6.6.
3.6.5 Low Temperature Bending	4.6.7	Samples prepared as per fig2 using size 18 Al Adaptors and 9mm cable. Adhesive type U 779-001. Heat shrink boot 770-001S706 used. Samples flexed at -40°C as per 4.6.7 and then tested as per 3.6.1.
3.6.6 Peel Adhesion	4.6.8	Samples prepared as per fig2 using size 18 Al Adaptors and 9mm cable. Adhesive type U 779-001. Heat shrink boot 770-001S706 used. Peel samples prepared as per fig 7 and 8 and tested as per 4.6.8.1 and 2.
3.6.6 Insulation Resistance	AS5258A	Samples prepared as per fig3 using size 18 Al Adaptors and 9mm cable. Adhesive type U 779-001. Heat shrink boot 770-001S706 used. Applied voltage 500V, test as per 4.6.9
3.6.7 Altitude Immersion	AS5258A	Samples prepared as per fig 3 using size 18 Al Adaptors and 9mm cable. Adhesive type U 779-001. Heat shrink boot 770-001S706 used. Samples tested as per 4.6.10 altitude immersion, 3 cycles and then tested as per 3.6.6

**SERIES 77**

# FULL NELSON

STANDARD PROFILE LIPPED ADAPTER BOOTS



**S**traight boots with lip for attachment to standard circular connector adapters. After shrinking, the boot lip locks into adapter groove. Eyelet hole allows attachment of dust caps or protective covers. Choose Type 1 high performance elastomer for extreme temperatures, color options and excellent resistance to fuels and oils, Type 2 non-halogenated flame-retardant polyolefin for use where limited fire hazard is required, or choose Type 3 general purpose polyolefin for use where occasional exposure to heat and chemicals may occur. Choose boot size based on adapter diameter and cable diameter.



# Series 77 Shrink Boots Lipped Straight Adapter Shrink Boots General Information



## Lipped Straight Adapter Shrink Boots, Standard



Straight boots with lip for attachment to standard circular connector adapters. After shrinking, the boot lip locks into adapter groove. Eyelet hole allows attachment of dust caps or protective covers. Choose Type 1 high performance elastomer for extreme temperatures and excellent resistance to fuels and oils, Type 2 non-halogenated flame-retardant polyolefin for use where limited fire hazard is required, or choose Type 3 general purpose polyolefin for use where occasional exposure to heat and chemicals may occur. Choose boot size based on adapter diameter and cable diameter.

- Easy attachment to shrink boot adapters
- Three material options
- Three adhesive options
- With or without eyelets
- With or without potting ports
- Non-adhesive lined boots (For use with Type U two-part epoxy):

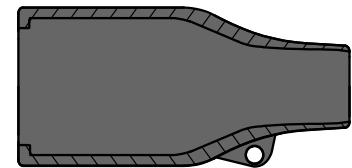
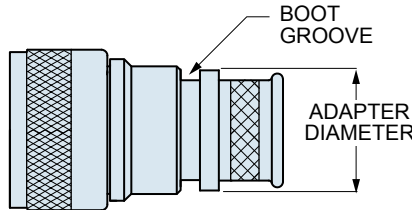


Table 1: Boot Size Selection Guide

Boot Size	Adapter Diameter				Min. Cable Diameter	
	Inches		Millimeters			
	Min	Max	Min	Max	In.	mm.
00	.250	.325	6.35	8.26	.110	2.79
01	.325	.425	7.62	10.80	.150	3.81
02	.350	.600	8.89	15.24	.175	4.45
03	.450	.850	11.43	21.59	.225	5.72
04	.600	1.000	15.24	25.40	.275	6.99
05	.750	1.200	19.05	30.48	.300	7.62
06	.900	1.350	22.86	34.29	.375	9.53
07	1.250	1.650	31.75	41.91	.425	10.80
08	1.400	2.250	35.56	57.15	.625	15.88
09	1.870	2.470	47.50	62.70	.660	16.80



Part Number
<b>779-001</b>



Part Number
<b>779-002</b>



Part Number	Package Size
<b>779-003</b>	12

See Section I for complete details

Table 2: Material Selection Guide

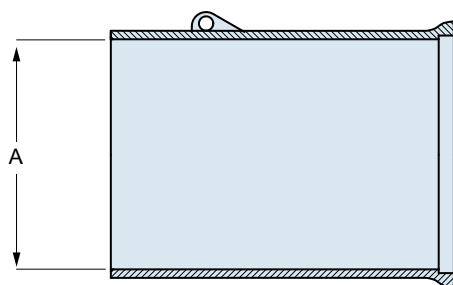
Attribute	Type 1 High-Performance Semi-Rigid Elastomer	Type 2 Zero Halogen Semi-Rigid Polyolefin	Type 3 General Purpose Flexible Polyolefin
Continuous Operating Temp.	-75° to +150°C	-30° to +135°C	-55° to +135°C
Resistance to Fuels, Oils	Excellent	Very Good	Good
Low Toxicity, Zero Halogen	No	Yes	No

Table 3: Pre-Coated Boots Adhesive Information

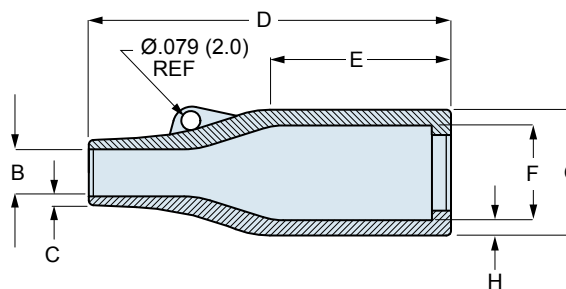
Attribute	W1 High Temperature Hot Melt Adhesive	W2 Standard Hot Melt Adhesive	R High: Performance Epoxy Adhesive
Boot Material Compatibility	Types 1, 2 and 3	Types 1, 2 and 3	Type 1
Continuous Operating Temp.	-55° to +125°C	-40° to +80°C	-75° to +150°C
Resistance to Fuels, Oils, and Fluids	Good	Good	Excellent
Low Toxicity, Zero Halogen	Yes	Yes	Yes

Dimensions in inches (millimeters) and are subject to change without notice.

### Lipped Straight Adapter Shrink Boots, Standard: Dimensions



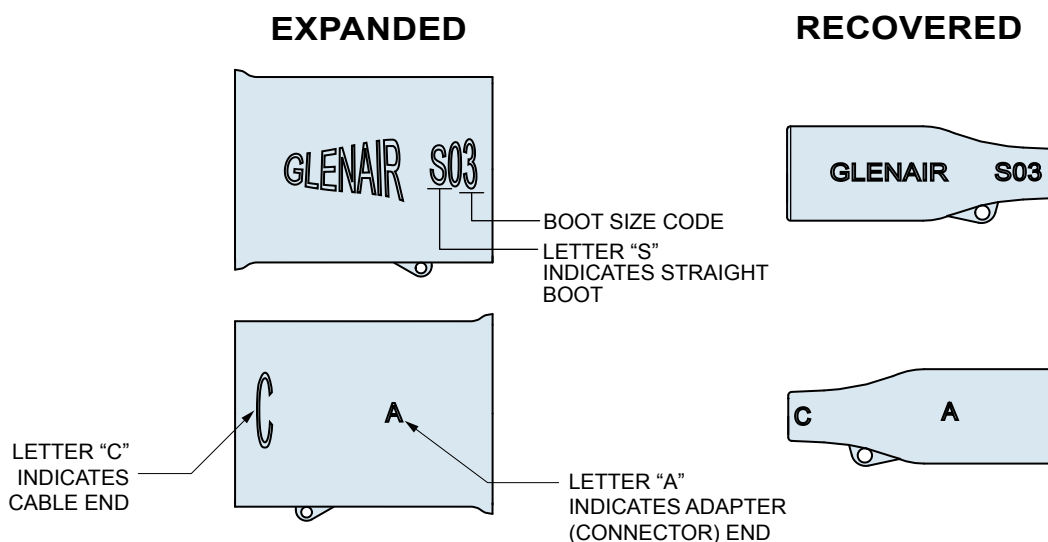
AS SUPPLIED  
(EXPANDED)



STANDARD LENGTH  
AFTER SHRINKING  
(RECOVERED)

Boot Size	A Min.		B Max.		C ± 20%		D ± 10%		E Ref.		F Max.		G Ref.		H ± 30%	
	In.	mm.	In.	mm.	In.	mm.	In.	mm.	In.	mm.	In.	mm.	In.	mm.	In.	mm.
00	.354	9.0	.079	2.0	.028	0.7	.984	25.0	.551	14.0	.217	5.5	.295	7.5	.039	1.0
01	.472	12.0	.118	3.0	.028	0.7	.984	25.0	.551	14.0	.276	7.0	.362	9.2	.043	1.1
02	.669	17.0	.138	3.5	.028	0.7	1.181	30.0	.728	18.5	.276	7.0	.378	9.6	.051	1.3
03	.945	24.0	.197	5.0	.035	0.9	1.496	38.0	.748	19.0	.413	10.5	.520	13.2	.063	1.6
04	1.181	30.0	.236	6.0	.039	1.0	2.165	55.0	1.181	30.0	.551	14.0	.693	17.6	.071	1.8
05	1.260	32.0	.276	7.0	.047	1.2	2.638	67.0	1.299	33.0	.709	18.0	.850	21.6	.071	1.8
06	1.417	36.0	.335	8.5	.047	1.2	3.150	80.0	1.575	40.0	.866	22.0	.945	24.0	.079	2.0
07	1.693	43.0	.394	10.0	.051	1.3	3.898	99.0	2.165	55.0	1.102	28.0	1.276	32.4	.087	2.2
08	2.362	60.0	.591	15.0	.063	1.6	5.118	130.0	1.969	50.0	1.378	35.0	1.638	41.6	.130	3.3
09	2.599	66.0	.661	16.8	.079	2.0	6.693	170.0	3.543	90.0	1.750	44.5	2.050	52.0	.150	3.8

### Lipped Straight Shrink Boots: Part Marking, Raised Lettering



Dimensions in inches (millimeters) and are subject to change without notice.



770-001S1 and 770-003S1  
Type 1 High-Performance Elastomer  
Straight Lipped Adapter Shrink Boots, Standard



**Type 1 High-Performance Elastomer Boots for Advanced Temperature and Chemical Tolerance**



Semi-rigid high performance boots combine excellent resistance to fuels, oils and solvents with superior performance at extreme temperatures. Rated for 3000 hours continuous operation at +150° C, these boots fit most standard boot adapters for circular connectors. Material meets the requirements of VG95343 Type 6, BSG 198-5-DE, EN62329-102 and SAE AS5258 Type H. These boots are recommended for demanding applications such as military vehicles and petrochemical exploration. Boots come standard in black, see table below for optional colors.

- -75° C to +150° C
- Excellent resistance to fuels, oils, solvents and heat.
- Ten available colors

Boot Size	Part Number with Eyelet				Part Number without Eyelet			
	No Adhesive Lining	Pre-Coated with W1 Hi-Temp Hot-Melt Adhesive	Pre-Coated with W2 Standard Hot-Melt Adhesive	Pre-Coated with R Epoxy Adhesive	No Adhesive Lining	Pre-Coated with W1 Hi-Temp Hot-Melt Adhesive	Pre-Coated with W2 Standard Hot-Melt Adhesive	Pre-Coated with R Epoxy Adhesive
00	—	—	—	—	770-003S100	770-003S100W1	770-003S100W2	770-003S100R
01	—	—	—	—	770-003S101	770-003S101W1	770-003S101W2	770-003S101R
02	—	—	—	—	770-003S102	770-003S102W1	770-003S102W2	770-003S102R
03	770-001S103	770-001S103W1	770-001S103W2	770-001S103R	770-003S103	770-003S103W1	770-003S103W2	770-003S103R
04	770-001S104	770-001S104W1	770-001S104W2	770-001S104R	770-003S104	770-003S104W1	770-003S104W2	770-003S104R
05	770-001S105	770-001S105W1	770-001S105W2	770-001S105R	770-003S105	770-003S105W1	770-003S105W2	770-003S105R
06	770-001S106	770-001S106W1	770-001S106W2	770-001S106R	770-003S106	770-003S106W1	770-003S106W2	770-003S106R
07	770-001S107	770-001S107W1	770-001S107W2	770-001S107R	770-003S107	770-003S107W1	770-003S107W2	770-003S107R
08	770-001S108	770-001S108W1	770-001S108W2	770-001S108R	770-003S108	770-003S108W1	770-003S108W2	770-003S108R
09	770-001S109	770-001S109W1	770-001S109W2	770-001S109R	770-003S109	770-003S109W1	770-003S109W2	770-003S109R

Add "-DH" to the end of any part number for drain holes.

Add "-PP" to the end of any part number for potting ports.

**Material Color Options for Type 1 High Performance Elastomer Only**  
Add Optional Color Mod Code to End of Any Type 1 Material Product

Mod Code	Color	Similar to (Reference)	Mod Code	Color	Similar to (Reference)
632 B	Blue	PANTONE 3005U	632 R	Red	PANTONE 1797U
632 E	Grey	FED-STD-595; #36270	632 T	Tan	FED-STD-595; #33446
632 G	Green	PANTONE 355U	632 W	White	FED-STD-595; #37875
632 P	Purple	FED-STD-595; #37100	632 Y	Yellow	PANTONE YELLOW U
632 O	Orange	FED-STD-595; #32300	Standard	Black	FED-STD-595; #37038

Dimensions in inches (millimeters) and are subject to change without notice.



## 770-001S2 and 770-003S2 Type 2 Zero Halogen Straight Lipped Adapter Shrink Boots, Standard

### Type 2 Low Smoke Zero Halogen (LSZH) For Regulated Environmental Safety Applications



- **Low Smoke, Zero Halogen**
- **Meets U.S. and E.U. toxicity requirements.**
- **Qualified to VG95343 Part 28**
- **-30° C to +135° C**

Halogen-free polyolefin boots meet low smoke and toxicity requirements of shipboard, transit and aircraft systems. These Low Smoke/Zero Halogen (LSZH) boots fit most standard shrink boot adapters, including M85049 types as well as Glenair Series 31 and Series 44 adapters. Oxygen index greater than 30%, smoke index less than 20, and toxicity index under 3 per 100 grams. Material meets requirements of NAVSEA 5617649, VG95343 Part 29, BSG 198-5-DF, EN62329-101 and SAE AS5258 Type G. Good resistance to oils, fuels and solvents. Available high temperature hot melt adhesive lining, these boots provide strain relief and environmental protection to connector/cable transitions. Temperature rating -30° to +135° C. Black color.

Boot Size	Part Number with Eyelet				Part Number without Eyelet			
	No Adhesive Lining	Pre-Coated with W1 Hi-Temp Hot-Melt Adhesive	Pre-Coated with W2 Standard Hot-Melt Adhesive	Pre-Coated with R Epoxy Adhesive	No Adhesive Lining	Pre-Coated with W1 Hi-Temp Hot-Melt Adhesive	Pre-Coated with W2 Standard Hot-Melt Adhesive	Pre-Coated with R Epoxy Adhesive
00	—	—	—	—	770-003S200	770-003S200W1	770-003S200W2	770-003S200R
01	—	—	—	—	770-003S201	770-003S201W1	770-003S201W2	770-003S201R
02	—	—	—	—	770-003S202	770-003S202W1	770-003S202W2	770-003S202R
03	770-001S203	770-001S203W1	770-001S203W2	770-001S203R	770-003S203	770-003S203W1	770-003S203W2	770-003S203R
04	770-001S204	770-001S204W1	770-001S204W2	770-001S204R	770-003S204	770-003S204W1	770-003S204W2	770-003S204R
05	770-001S205	770-001S205W1	770-001S205W2	770-001S205R	770-003S205	770-003S205W1	770-003S205W2	770-003S205R
06	770-001S206	770-001S206W1	770-001S206W2	770-001S206R	770-003S206	770-003S206W1	770-003S206W2	770-003S206R
07	770-001S207	770-001S207W1	770-001S207W2	770-001S207R	770-003S207	770-003S207W1	770-003S207W2	770-003S207R
08	770-001S208	770-001S208W1	770-001S208W2	770-001S208R	770-003S208	770-003S208W1	770-003S208W2	770-003S208R
09	770-001S209	770-001S209W1	770-001S209W2	770-001S209R	770-003S209	770-003S209W1	770-003S209W2	770-003S209R

Add "-DH" to the end of any part number for drain holes.

Add "-PP" to the end of any part number for potting ports.

Dimensions in inches (millimeters) and are subject to change without notice.

CAGE Code 06324

Printed in U.S.A.

© 2012 Glenair, Inc.

GLENAIR, INC. • 1211 AIR WAY • GLENDALE, CA 91201-2497 • 818-247-6000 • FAX 818-500-9912

www.glenair.com

B-4

E-Mail: sales@glenair.com

770-001S3 and 770-003S3  
Type 3 Flexible Polyolefin  
Straight Lipped Adapter Shrink Boots, Standard



**Type 3 Flexible Polyolefin For General Duty Applications**



Economical flexible polyolefin boots fit most standard shrink boot adapters, including M85049 adapters as well as Glenair Series 31 and Series 44 adapters. These self-extinguishing boots meet the requirements of SAE AS81765/1 Type 1. Good resistance to oils and fuels. Available with optional hot melt adhesive lining, these boots provide strain relief and environmental protection to connector/cable transitions, and are ideally suited for heat-sensitive cables due to the material's low heat shrink temperature of +100° C. Temperature rating -55° to +135° C. Black color.

- *General purpose harnessing*
- *Economical, flexible*
- *-55° C to +135° C*

Boot Size	Part Number with Eyelet		Part Number without Eyelet	
	No Adhesive Lining	Pre-Coated with W2 Standard Hot-Melt Adhesive	No Adhesive Lining	Pre-Coated with W2 Hot-Melt Adhesive
00	—	—	<a href="#">770-003S300</a>	<a href="#">770-003S300W2</a>
01	—	—	<a href="#">770-003S301</a>	<a href="#">770-003S301W2</a>
02	—	—	<a href="#">770-003S302</a>	<a href="#">770-003S302W2</a>
03	<a href="#">770-001S303</a>	<a href="#">770-001S303W2</a>	<a href="#">770-003S303</a>	<a href="#">770-003S303W2</a>
04	<a href="#">770-001S304</a>	<a href="#">770-001S304W2</a>	<a href="#">770-003S304</a>	<a href="#">770-003S304W2</a>
05	<a href="#">770-001S305</a>	<a href="#">770-001S305W2</a>	<a href="#">770-003S305</a>	<a href="#">770-003S305W2</a>
06	<a href="#">770-001S306</a>	<a href="#">770-001S306W2</a>	<a href="#">770-003S306</a>	<a href="#">770-003S306W2</a>
07	<a href="#">770-001S307</a>	<a href="#">770-001S307W2</a>	<a href="#">770-003S307</a>	<a href="#">770-003S307W2</a>
08	<a href="#">770-001S308</a>	<a href="#">770-001S308W2</a>	<a href="#">770-003S308</a>	<a href="#">770-003S308W2</a>
09	<a href="#">770-001S309</a>	<a href="#">770-001S309W2</a>	<a href="#">770-003S309</a>	<a href="#">770-003S309W2</a>

Add "-DH" to the end of any part number for drain holes.  
Add "-PP" to the end of any part number for potting ports.

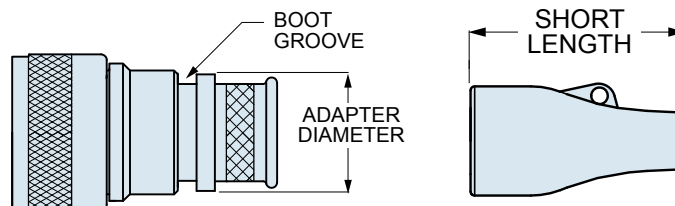
Dimensions in inches (millimeters) and are subject to change without notice.

## Lipped Straight Shrink Boots, Short



- **Short profile for reduced package size applications**
- **Easy attachment to shrink boot adapters**
- **Three material options**
- **Three adhesive options**
- **With or without eyelets**
- **With or without drain holes**
- **With or without potting ports**

Short straight boots with lip for attachment to standard circular connector adapters. These short boots are used where clearance is limited. After shrinking, the boot lip locks into adapter groove. Eyelet hole allows attachment of dust caps or protective covers. Choose Type 1 high performance elastomer for extreme temperatures and excellent resistance to fuels and oils, Type 2 non-halogenated flame-retardant polyolefin for use where limited fire hazard is required, or choose Type 3 general purpose polyolefin for use where occasional exposure to heat and chemicals may occur. Choose boot size based on adapter diameter and cable diameter.



**Table 1: Boot Size Selection Guide**

Boot Size	Adapter Diameter				Min. Cable Diameter	
	Inches		Millimeters		In.	mm.
	Min	Max	Min	Max		
03	.450	.850	11.43	21.59	.225	5.72
04	.600	1.000	15.24	25.40	.275	6.99
05	.750	1.200	19.05	30.48	.300	7.62
06	.900	1.350	22.86	34.29	.375	9.53
07	1.250	1.650	31.75	41.91	.425	10.80
08	1.400	2.250	35.56	57.15	.625	15.88
09	1.870	2.470	47.50	62.70	.660	16.80

**Table 2: Material Selection Guide**

Attribute	Type 1 High Performance Semi-Rigid Elastomer	Type 2 Zero Halogen Semi-Rigid Polyolefin	Type 3 General Purpose Flexible Polyolefin
Continuous Operating Temperature	-75° to +150°C	-30° to +135°C	-55° to +135°C
Resistance to Fuels, Oils, and Fluids	Excellent	Very Good	Good
Low Toxicity, Zero Halogen	No	Yes	No

**Table 3: Pre-Coated Boots Adhesive Information**

Attribute	W1 High Temperature Hot Melt Adhesive	W2 Standard Hot Melt Adhesive	R High Performance Epoxy Adhesive
Boot Material Compatibility	Types 1, 2 and 3	Types 1, 2 and 3	Type 1
Continuous Operating Temp.	-55° to +125°C	-40° to +80°C	-75° to +150°C
Resistance to Fuels, Oils, and Fluids	Good	Good	Excellent
Low Toxicity, Zero Halogen	Yes	Yes	Yes

Dimensions in inches (millimeters) and are subject to change without notice.

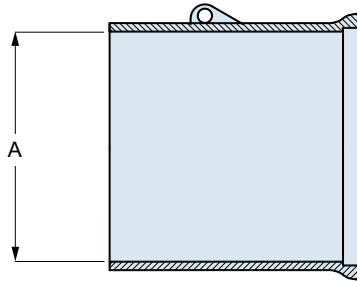
CAGE Code 06324

Printed in U.S.A.

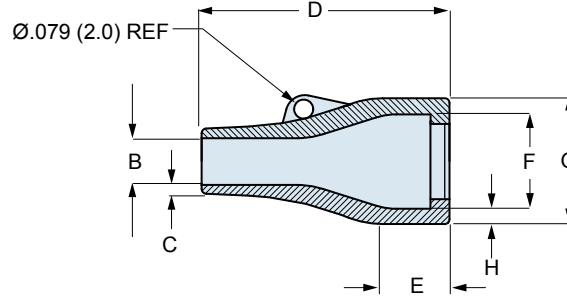
# Series 77 Shrink Boots Straight Lipped Adapter Boots, Short Dimensions



## Lipped Straight Shrink Boots, Short: Dimensions



AS SUPPLIED  
(EXPANDED)

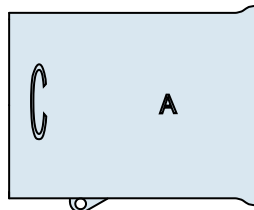


AFTER SHRINKING  
(RECOVERED)

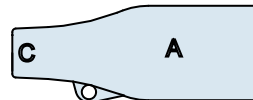
Boot Size	A Min.		B Max.		C ± 20%		D ± 10%		E Ref.		F Max.		G Ref.		H ± 30%	
	In.	mm.	In.	mm.	In.	mm.	In.	mm.	In.	mm.	In.	mm.	In.	mm.	In.	mm.
03	.945	24.0	.197	5.0	.035	0.9	1.024	26.0	.276	7.0	.413	10.5	.539	13.7	.063	1.6
04	1.181	30.0	.236	6.0	.039	1.0	1.693	43.0	.709	18.0	.551	14.0	.693	17.6	.071	1.8
05	1.260	32.0	.276	7.0	.047	1.2	1.850	47.0	.512	13.0	.709	18.0	.850	21.6	.071	1.8
06	1.417	36.0	.335	8.5	.047	1.2	2.362	60.0	.787	20.0	.866	22.0	1.024	26.0	.079	2.0
07	1.693	43.0	.394	10.0	.051	1.3	3.150	80.0	1.417	36.0	1.102	28.0	1.276	32.4	.087	2.2
08	2.362	60.0	.591	15.0	.063	1.6	4.331	110.0	1.181	30.0	1.378	35.0	1.638	41.6	.130	3.3
09	2.599	66.0	.661	16.8	.079	2.0	5.910	150.0	2.760	70.0	1.752	44.5	2.052	52.1	.150	3.8

## Lipped Straight Shrink Boots, Short: Part Marking, Raised Lettering

EXPANDED



RECOVERED



Dimensions in inches (millimeters) and are subject to change without notice.

CAGE Code 06324

Printed in U.S.A.

© 2012 Glenair, Inc.

GLENAIR, INC. • 1211 AIR WAY • GLENDALE, CA 91201-2497 • 818-247-6000 • FAX 818-500-9912

www.glenair.com

B-7

E-Mail: sales@glenair.com



## 770-002S1 and 770-004S1 Type 1 High-Performance Elastomer Straight Lipped Adapter Shrink Boots, Short

### Type 1 High-Performance Elastomer Boots For Advanced Temperature And Chemical Tolerance



Semi-rigid high performance short profile boots combine excellent resistance to fuels, oils and solvents with superior performance at extreme temperatures. Rated for 3000 hours continuous operation at +150° C, these boots fit most standard boot adapters for circular connectors and are suited for applications where efficient conservation of space is required. Material meets the requirements of VG95343 Type 6, BSG 198-5-DE, EN62329-102 and SAE AS5258 Type H. These boots are recommended for demanding applications such as military vehicles and petrochemical exploration. Boots come standard in black, see table below for optional colors.

- **-75° C to +150° C**
- **Excellent resistance to fuels, oils, solvents and heat.**
- **Ten available colors**

Boot Size	Part Number with Eyelet				Part Number without Eyelet			
	No Adhesive Lining	Pre-Coated with W1 Hi-Temp Hot-Melt Adhesive	Pre-Coated with W2 Standard Hot-Melt Adhesive	Pre-Coated with R Epoxy Adhesive	No Adhesive Lining	Pre-Coated with W1 Hi-Temp Hot-Melt Adhesive	Pre-Coated with W2 Standard Hot-Melt Adhesive	Pre-Coated with R Epoxy Adhesive
03	770-002S103	770-002S103W1	770-002S103W2	770-002S103R	770-004S103	770-004S103W1	770-004S103W2	770-004S103R
04	770-002S104	770-002S104W1	770-002S104W2	770-002S104R	770-004S104	770-004S104W1	770-004S104W2	770-004S104R
05	770-002S105	770-002S105W1	770-002S105W2	770-002S105R	770-004S105	770-004S105W1	770-004S105W2	770-004S105R
06	770-002S106	770-002S106W1	770-002S106W2	770-002S106R	770-004S106	770-004S106W1	770-004S106W2	770-004S106R
07	770-002S107	770-002S107W1	770-002S107W2	770-002S107R	770-004S107	770-004S107W1	770-004S107W2	770-004S107R
08	770-002S108	770-002S108W1	770-002S108W2	770-002S108R	770-004S108	770-004S108W1	770-004S108W2	770-004S108R
09	770-002S109	770-002W109W1	770-002S109W2	770-002S109R	770-004S109	770-004S109W1	770-004S109W2	770-004S109R

Add "-DH" to the end of any part number for drain holes.

Add "-PP" to the end of any part number for potting ports.

#### Material Color Options for Type 1 High Performance Elastomer Only Add Optional Color Mod Code to End of Any Type 1 Material Product

Mod Code	Color	Similar to (Reference)	Mod Code	Color	Similar to (Reference)
632 B	Blue	PANTONE 3005U	632 R	Red	PANTONE 1797U
632 E	Grey	FED-STD-595; #36270	632 T	Tan	FED-STD-595; #33446
632 G	Green	PANTONE 355U	632 W	White	FED-STD-595; #37875
632 P	Purple	FED-STD-595; #37100	632 Y	Yellow	PANTONE YELLOW U
632 O	Orange	FED-STD-595; #32300	Standard	Black	FED-STD-595; #37038

Dimensions in inches (millimeters) and are subject to change without notice.

770-002S2 and 770-004S2  
Type 2 Zero Halogen  
Straight Lipped Adapter Shrink Boots, Short



**Type 2 Low Smoke Zero Halogen (LSZH) For Regulated Environmental Safety Applications**



- **Low Smoke, Zero Halogen**
- **Meets U.S. and E.U. toxicity requirements.**
- **-30° C to +135° C**

Halogen-free semi-flexible polyolefin short profile boots meet low smoke and toxicity requirements of shipboard, transit and aircraft systems. These Low Smoke/Zero Halogen (LSZH) boots fit most standard shrink boot adapters, including M85049 types along with Glenair Series 31 and Series 44 adapters. Short profile boots are suited for applications where efficient conservation of space is required. Oxygen index greater than 30%, smoke index less than 20, and toxicity index under 3 per 100 grams. Material meets requirements of NAVSEA 5617649, VG95343 Part 29, BSG 198-5-DF, EN62329-101 and SAE AS5258 Type G. Good resistance to oils, fuels and solvents. Available with high temperature hot melt adhesive lining, these boots provide strain relief and environmental protection to connector/cable transitions. Temperature rating -30° to +135° C. Black color.

Boot Size	Part Number with Eyelet				Part Number without Eyelet			
	No Adhesive Lining	Pre-Coated with W1 Hi-Temp Hot-Melt Adhesive	Pre-Coated with W2 Standard Hot-Melt Adhesive	Pre-Coated with R Epoxy Adhesive	No Adhesive Lining	Pre-Coated with W1 Hi-Temp Hot-Melt Adhesive	Pre-Coated with W2 Standard Hot-Melt Adhesive	Pre-Coated with R Epoxy Adhesive
03	770-002S203	770-002S203W1	770-002S203W2	770-002S203R	770-004S203	770-004S203W1	770-004S203W2	770-004S203R
04	770-002S204	770-002S204W1	770-002S204W2	770-002S204R	770-004S204	770-004S204W1	770-004S204W2	770-004S204R
05	770-002S205	770-002S205W1	770-002S205W2	770-002S205R	770-004S205	770-004S205W1	770-004S205W2	770-004S205R
06	770-002S206	770-002S206W1	770-002S206W2	770-002S206R	770-004S206	770-004S206W1	770-004S206W2	770-004S206R
07	770-002S207	770-002S207W1	770-002S207W2	770-002S207R	770-004S207	770-004S207W1	770-004S207W2	770-004S207R
08	770-002S208	770-002S208W1	770-002S208W2	770-002S208R	770-004S208	770-004S208W1	770-004S208W2	770-004S208R
09	770-002S209	770-002S209W1	770-002S209W2	770-002S209R	770-004S209	770-004S209W1	770-004S209W2	770-004S209R

Add "-DH" to the end of any part number for drain holes.  
Add "-PP" to the end of any part number for potting ports.



## 770-002S3 and 770-004S3 Type 3 Flexible Polyolefin Straight Lipped Adapter Shrink Boots, Short

### Type 3 Flexible Polyolefin For General Duty Applications



- *General purpose harnessing*
- *Economical, flexible*
- *-55° C to +135° C*

Economical flexible polyolefin short profile boots fit standard shrink boot adapters, Glenair Series 31 and Series 44 adapters. Short profile boots are suited for applications where efficient conservation of space is required. These self-extinguishing boots meet the requirements of SAE AS81765/1 Type II. Good resistance to oils and fuels. Available with optional hot melt adhesive lining, these boots provide strain relief and environmental protection to connector/cable transitions, and are ideally suited for heat-sensitive cables due to the material's low heat shrink temperature of +100° C. Temperature rating -55° to +135° C. Black color.

Boot Size	Part Number with Eyelet		Part Number without Eyelet	
	No Adhesive Lining	Pre-Coated with W2 Standard Hot-Melt Adhesive	No Adhesive Lining	Pre-Coated with W2 Hot-Melt Adhesive
03	<a href="#">770-002S303</a>	<a href="#">770-002S303W2</a>	<a href="#">770-004S303</a>	<a href="#">770-004S303W2</a>
04	<a href="#">770-002S304</a>	<a href="#">770-002S304W2</a>	<a href="#">770-004S304</a>	<a href="#">770-004S304W2</a>
05	<a href="#">770-002S305</a>	<a href="#">770-002S305W2</a>	<a href="#">770-004S305</a>	<a href="#">770-004S305W2</a>
06	<a href="#">770-002S306</a>	<a href="#">770-002S306W2</a>	<a href="#">770-004S306</a>	<a href="#">770-004S306W2</a>
07	<a href="#">770-002S307</a>	<a href="#">770-002S307W2</a>	<a href="#">770-004S307</a>	<a href="#">770-004S307W2</a>
08	<a href="#">770-002S308</a>	<a href="#">770-002S308W2</a>	<a href="#">770-004S308</a>	<a href="#">770-004S308W2</a>
09	<a href="#">770-002S309</a>	<a href="#">770-002S309W2</a>	<a href="#">770-004S309</a>	<a href="#">770-004S309W2</a>

Add "**-DH**" to the end of any part number for drain holes.  
Add "**-PP**" to the end of any part number for potting ports.



Series 77 Shrink Boots  
Straight Lipped Adapter Boots, Long Tail  
General Information



Lipped Straight Shrink Boots, Long Tail



Straight lipped extended length boots for attachment to standard boot adapters. Long tail provides additional cable strain relief compared to standard length boots. Choose Type 1 high performance elastomer for extreme temperatures and excellent resistance to fuels and oils, Type 2 non-halogenated flame-retardant polyolefin for use where limited fire hazard is required, or choose Type 3 general purpose polyolefin for use where occasional exposure to heat and chemicals may occur.

- Long tail for enhanced cable strain relief
- Easy attachment to shrink boot adapters
- Three material options
- Three adhesive options
- Drain holes and potting ports available

Table 1: Boot Size Selection Guide

Boot Size	Adapter Diameter				Min. Cable Diameter	
	Inches		Millimeters		In.	mm.
	Min	Max	Min	Max		
02	.500	.800	12.70	20.32	.275	6.99
03	.650	.900	16.51	22.86	.325	8.26
04	.825	1.000	20.96	25.40	.375	9.53
05	.900	1.300	22.86	33.02	.425	10.80
06	1.250	1.400	31.75	35.56	.450	11.43
07	1.450	1.700	36.83	43.18	.525	13.34
08	1.650	1.900	41.91	48.26	.600	15.24
09	1.900	2.450	48.30	62.30	.720	18.30
10	2.450	2.700	62.30	68.60	.800	20.30
11	2.700	3.200	68.60	81.30	.920	23.40

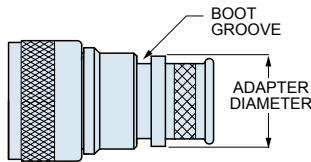


Table 2: Material Selection Guide

Attribute	Type 1 High Performance Semi-Rigid Elastomer	Type 2 Zero Halogen Semi-Rigid Polyolefin	Type 3 General Purpose Flexible Polyolefin
Continuous Operating Temperature	-75° to +150°C	-30° to +135°C	-55° to +135°C
Resistance to Fuels, Oils, and Fluids	Excellent	Very Good	Good
Flammability	Self-Extinguishing <15 Sec.	Self-Extinguishing <15 Sec.	Self-Extinguishing <120 Sec.
Low Temperature Flexibility	-70°C	-30°C	-55°C
Low Toxicity, Zero Halogen	No	Yes	No

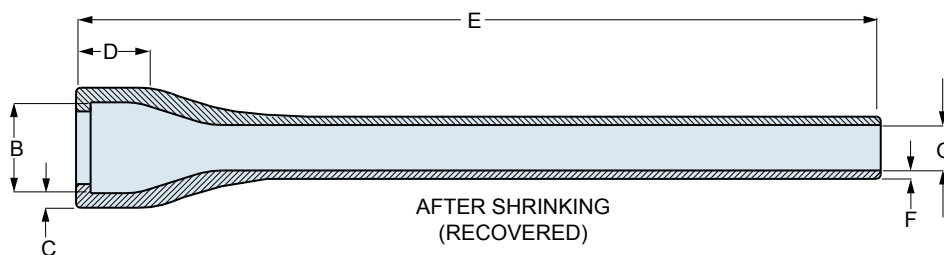
Table 3: Pre-Coated Boots Adhesive Information

Attribute	W1 High Temperature Hot Melt Adhesive	W2 Standard Hot Melt Adhesive	R High Performance Epoxy Adhesive
Boot Material Compatibility	Types 1, 2 and 3	Types 1, 2 and 3	Type 1
Continuous Operating Temp.	-55° to +125°C	-40° to +80°C	-75° to +150°C
Resistance to Fuels, Oils, and Fluids	Good	Good	Excellent
Low Toxicity, Zero Halogen	Yes	Yes	Yes

Dimensions in inches (millimeters) and are subject to change without notice.

## Lipped Straight Long Tail Shrink Boots: Dimensions

AS SUPPLIED  
(EXPANDED)

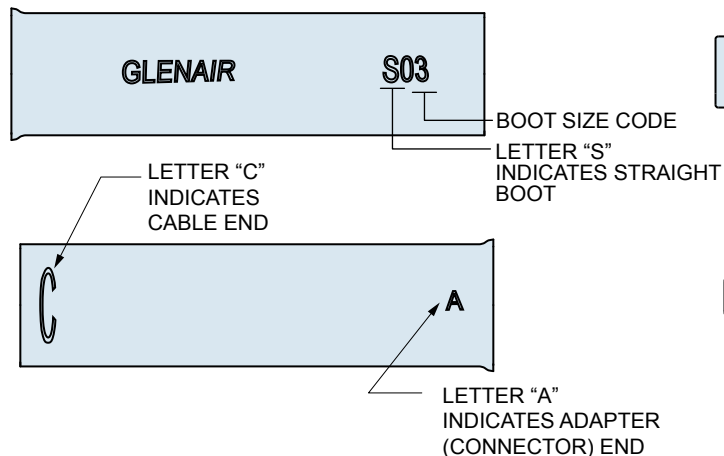


AFTER SHRINKING  
(RECOVERED)

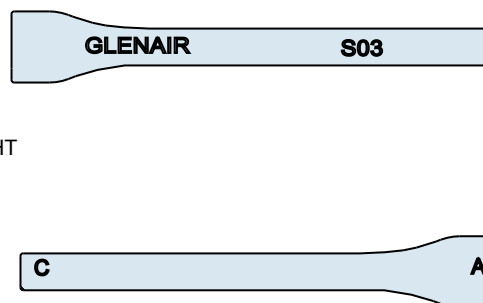
Boot Size	A Min.		B Max.		C $\pm$ 30%		D Ref.		E $\pm$ 30%		F $\pm$ 20%		G Max.	
	In.	mm.	In.	mm.	In.	mm.	In.	mm.	In.	mm.	In.	mm.	In.	mm.
02	.886	22.5	.433	11.0	.059	1.5	.551	14.0	4.330	110	.047	1.2	.256	6.5
03	.984	25.0	.591	15.0	.059	1.5	.591	15.0	4.724	120	.047	1.2	.295	7.5
04	1.181	30.0	.748	19.0	.071	1.8	.591	15.0	5.512	140	.047	1.2	.335	8.5
05	1.378	35.0	.827	21.0	.071	1.8	.787	20.0	6.299	160	.047	1.2	.374	9.5
06	1.476	37.5	1.181	30.0	.079	2.0	.787	20.0	7.087	180	.047	1.2	.413	10.5
07	1.772	45.0	1.339	34.0	.079	2.0	.984	25.0	7.874	200	.047	1.2	.472	12.0
08	1.969	50.0	1.575	40.0	.091	2.3	.984	25.0	7.874	200	.059	1.5	.551	14.0
09	2.470	62.7	1.850	47.0	.100	2.5	.630	16.0	8.00	203.2	.055	1.4	.690	17.5
10	2.730	69.3	2.35	59.7	.100	2.5	.630	16.0	8.00	203.2	.055	1.4	.77	19.6
11	3.22	81.8	2.64	67.1	.10	2.5	.630	16.0	8.00	203.2	.055	1.4	.90	22.9

## Lipped Straight Long Tail Shrink Boots: Part Marking, Raised Lettering

EXPANDED



RECOVERED



Dimensions in inches (millimeters) and are subject to change without notice.

CAGE Code 06324

Printed in U.S.A.

**770-006S1**  
**Type 1 High-Performance Elastomer**  
**Straight Lipped Adapter Shrink Boots, Long Tail**



**Type 1 High-Performance Elastomer Boots for Advanced Temperature and Chemical Tolerance**



Semi-rigid high performance boots combine excellent resistance to fuels, oils and solvents with superior performance at extreme temperatures. Rated for 3000 hours continuous operation at +150° C, these boots fit most standard boot adapters for circular connectors. Long tail provides additional cable strain relief compared to standard length boots. Material meets the requirements of VG95343 Type 6, BSG 198-5-DE, EN62329-102 and SAE AS5258 Type H. These boots are recommended for demanding applications such as military vehicles and petrochemical exploration. Boots come standard in black, see table below for optional colors.

- **-75° C to +150° C**
- **Excellent resistance to fuels, oils, solvents and heat.**
- **Ten available colors**

Boot Size	Part Number			
	No Adhesive Lining	Pre-Coated with W1 Hi-Temp Hot-Melt Adhesive	Pre-Coated with W2 Standard Hot-Melt Adhesive	Pre-Coated with R Epoxy Adhesive
02	<a href="#">770-006S102</a>	<a href="#">770-006S102W1</a>	<a href="#">770-006S102W2</a>	<a href="#">770-006S102R</a>
03	<a href="#">770-006S103</a>	<a href="#">770-006S103W1</a>	<a href="#">770-006S103W2</a>	<a href="#">770-006S103R</a>
04	<a href="#">770-006S104</a>	<a href="#">770-006S104W1</a>	<a href="#">770-006S104W2</a>	<a href="#">770-006S104R</a>
05	<a href="#">770-006S105</a>	<a href="#">770-006S105W1</a>	<a href="#">770-006S105W2</a>	<a href="#">770-006S105R</a>
06	<a href="#">770-006S106</a>	<a href="#">770-006S106W1</a>	<a href="#">770-006S106W2</a>	<a href="#">770-006S106R</a>
07	<a href="#">770-006S107</a>	<a href="#">770-006S107W1</a>	<a href="#">770-006S107W2</a>	<a href="#">770-006S107R</a>
08	<a href="#">770-006S108</a>	<a href="#">770-006S108W1</a>	<a href="#">770-006S108W2</a>	<a href="#">770-006S108R</a>
09	<a href="#">770-006S109</a>	<a href="#">770-006S109W1</a>	<a href="#">770-006S109W2</a>	<a href="#">770-006S109R</a>
10	<a href="#">770-006S110</a>	<a href="#">770-006S110W1</a>	<a href="#">770-006S110W2</a>	<a href="#">770-006S110R</a>
11	<a href="#">770-006S111</a>	<a href="#">770-006S111W1</a>	<a href="#">770-006S111W2</a>	<a href="#">770-006S111R</a>

Add **"-DH"** to the end of any part number for drain holes.  
 Add **"-PP"** to the end of any part number for potting ports.

**Material Color Options for Type 1 High Performance Elastomer Only**  
**Add Optional Color Mod Code to End of Any Type 1 Material Product**

Mod Code	Color	Similar to (Reference)	Mod Code	Color	Similar to (Reference)
632 B	Blue	PANTONE 3005U	632 R	Red	PANTONE 1797U
632 E	Grey	FED-STD-595; #36270	632 T	Tan	FED-STD-595; #33446
632 G	Green	PANTONE 355U	632 W	White	FED-STD-595; #37875
632 P	Purple	FED-STD-595; #37100	632 Y	Yellow	PANTONE YELLOW U
632 O	Orange	FED-STD-595; #32300	Standard	Black	FED-STD-595; #37038

Dimensions in inches (millimeters) and are subject to change without notice.



## 770-006S2 Type 2 Zero Halogen Straight Lipped Adapter Shrink Boots, Long Tail

### Type 2 Low Smoke Zero Halogen (LSZH) For Regulated Environmental Safety Applications



- *Low Smoke, Zero Halogen*
- *Meets U.S. and E.U. toxicity requirements.*
- *-30° C to +135° C*

Halogen-free semi-flexible polyolefin boots meet low smoke and toxicity requirements of shipboard, transit and aircraft systems. These Low Smoke/Zero Halogen (LSZH) boots fit most standard shrink boot adapters, including M85049 types along with Glenair Series 31 and Series 44 adapters. Oxygen index greater than 30%, smoke index less than 20, and toxicity index under 3 per 100 grams. Material meets requirements of NAVSEA 5617649, VG95343 Part 29, BSG 198-5-DF, EN62329-101 and SAE AS5258 Type G. Good resistance to oils, fuels and solvents. Available with high temperature hot melt adhesive lining, these long tail boots provide environmental protection to connector/cable transitions, and enhanced cable strain relief compared to standard length boots. Temperature rating -30° to +135° C. Black color.

Boot Size	Part Number			
	No Adhesive Lining	Pre-Coated with <i>W1</i> Hot-Melt Adhesive	Pre-Coated with <i>W2</i> Hot-Melt Adhesive	Pre-Coated with <i>R</i> Epoxy Adhesive
02	<a href="#">770-006S202</a>	<a href="#">770-006S202W1</a>	<a href="#">770-006S202W2</a>	<a href="#">770-006S202R</a>
03	<a href="#">770-006S203</a>	<a href="#">770-006S203W1</a>	<a href="#">770-006S203W2</a>	<a href="#">770-006S203R</a>
04	<a href="#">770-006S204</a>	<a href="#">770-006S204W1</a>	<a href="#">770-006S204W2</a>	<a href="#">770-006S204R</a>
05	<a href="#">770-006S205</a>	<a href="#">770-006S205W1</a>	<a href="#">770-006S205W2</a>	<a href="#">770-006S205R</a>
06	<a href="#">770-006S206</a>	<a href="#">770-006S206W1</a>	<a href="#">770-006S206W2</a>	<a href="#">770-006S206R</a>
07	<a href="#">770-006S207</a>	<a href="#">770-006S207W1</a>	<a href="#">770-006S207W2</a>	<a href="#">770-006S207R</a>
08	<a href="#">770-006S208</a>	<a href="#">770-006S208W1</a>	<a href="#">770-006S208W2</a>	<a href="#">770-006S208R</a>
09	<a href="#">770-006S209</a>	<a href="#">770-006S209W1</a>	<a href="#">770-006S209W2</a>	<a href="#">770-006S209R</a>
10	<a href="#">770-006S210</a>	<a href="#">770-006S210W1</a>	<a href="#">770-006S210W2</a>	<a href="#">770-006S210R</a>
11	<a href="#">770-006S211</a>	<a href="#">770-006S211W1</a>	<a href="#">770-006S211W2</a>	<a href="#">770-006S211R</a>

Add "**-DH**" to the end of any part number for drain holes.

Add "**-PP**" to the end of any part number for potting ports.

**770-006S3**  
**Type 3 Flexible Polyolefin**  
**Straight Lipped Adapter Shrink Boots, Long Tail**



**Type 3 Flexible Polyolefin For General Duty Applications**



Economical flexible polyolefin boots fit standard shrink boot adapters, Glenair Series 31 and Series 44 adapters. These self-extinguishing boots meet the requirements of SAE AS81765/1 Type 1. Good resistance to oils and fuels. Available with optional hot melt adhesive lining, these long tail boots provide environmental protection to connector/cable transitions, and enhanced cable strain relief compared to standard length boots, and are ideally suited for heat-sensitive cables due to the material's low heat shrink temperature of +100° C. Temperature rating -55° to +135° C. Black color.

- *General purpose harnessing*
- *Economical, flexible*
- *-55° C to +135° C*

Boot Size	Part Number	
	No Adhesive Lining	Pre-Coated with W2 Standard Hot-Melt Adhesive
02	<a href="#">770-006S302</a>	<a href="#">770-006S302W2</a>
03	<a href="#">770-006S303</a>	<a href="#">770-006S303W2</a>
04	<a href="#">770-006S304</a>	<a href="#">770-006S304W2</a>
05	<a href="#">770-006S305</a>	<a href="#">770-006S305W2</a>
06	<a href="#">770-006S306</a>	<a href="#">770-006S306W2</a>
07	<a href="#">770-006S307</a>	<a href="#">770-006S307W2</a>
08	<a href="#">770-006S308</a>	<a href="#">770-006S308W2</a>
09	<a href="#">770-006S309</a>	<a href="#">770-006S309W2</a>
10	<a href="#">770-006S310</a>	<a href="#">770-006S310W2</a>
11	<a href="#">770-006S311</a>	<a href="#">770-006S311W2</a>

Add "-DH" to the end of any part number for drain holes.  
 Add "-PP" to the end of any part number for potting ports.



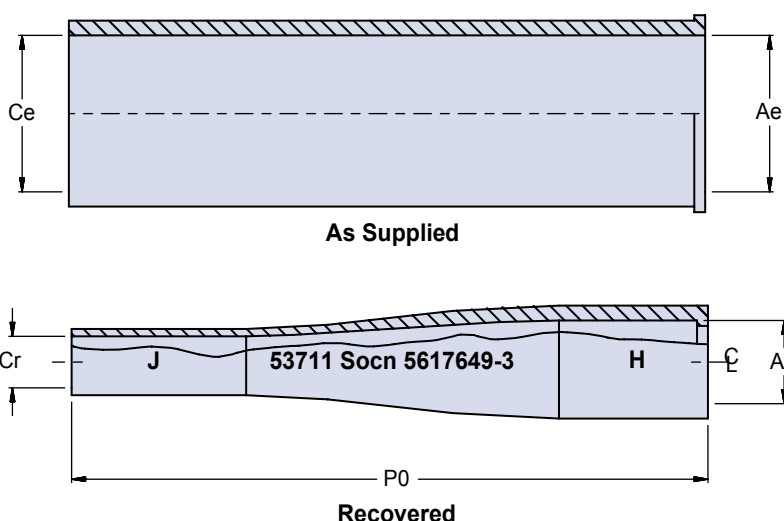
770-008S2  
AEGIS Qualified Type 2 Zero Halogen  
Straight Lipped Adapter Shrink Boots, Long Tail

**Type 2 Low Smoke Zero Halogen (LSZH) Long Tail, Straight Lipped Shrink Boots QPL'd for the U.S. Navy AEGIS Combat System (ACS)**



Halogen-free semi-flexible polyolefin boots meet low smoke and toxicity requirements of shipboard, transit and aircraft systems. These Low Smoke/Zero Halogen (LSZH) boots fit most standard shrink boot adapters, including M85049 types along with Glenair Series 31 and Series 44 adapters. Oxygen index greater than 30%, smoke index less than 20, and toxicity index under 3 per 100 grams. Material meets requirements of NAVSEA 5617649, VG95343 Part 29, BSG 198-5-DF, EN62329-101 and SAE AS5258 Type G. Good resistance to oils, fuels and solvents. Available with high temperature hot melt adhesive lining, these long tail boots provide environmental protection to connector/cable transitions, and enhanced cable strain relief compared to standard length boots. Temperature rating -30° to +135° C. Black color.

- Qualified to AEGIS Naval shipboard electronic equipment specification
- Low Smoke, Zero Halogen
- Meets U.S. and E.U. toxicity requirements.
- -30° C to +135° C



Part Numbers and Dimensions								
Boot Size	NAVSEA Part Number	Pre-Coated with W1 Hot-Melt Adhesive	No Adhesive Lining	Ae Dia Minimum Expanded	Ar Dia Maximum Recovered	Ce Dia Minimum Expanded	Cr Dia Maximum Recovered	PO ±10%
00	5617649	770-008S200W1BLK	770-008S200	.827 (14.0)	.551 (16.0)	.630 (16.0)	.209 (5.3)	5.315 (135.0)
01	5617649-1	770-008S201W1BLK	770-008S201	.984 (25.0)	.650 (16.5)	.984 (25.0)	.331 (8.4)	6.024 (153.0)
02	5617649-2	770-008S202W1BLK	770-008S202	1.299 (33.0)	.799 (20.3)	1.299 (33.0)	.429 (10.9)	6.024 (153.0)
03	5617649-3	770-008S203W1BLK	770-008S203	1.693 (43.0)	.902 (22.9)	1.693 (43.0)	.559 (14.0)	6.890 (175.0)
04	5617649-4	770-008S204W1BLK	770-008S204	2.087 (53.0)	1.098 (27.9)	2.087 (53.0)	.701 (17.8)	6.890 (175.0)
05	5617649-5	770-008S205W1BLK	770-008S205	2.835 (72.0)	1.449 (36.8)	2.835 (72.0)	.949 (24.1)	7.244 (184.0)

Add "-DH" to the end of any part number for drain holes.

Add "-PP" to the end of any part number for potting ports.

Dimensions in inches (millimeters) and are subject to change without notice.

CAGE Code 06324

Printed in U.S.A.

© 2012 Glenair, Inc.

GLENAIR, INC. • 1211 AIR WAY • GLENDALE, CA 91201-2497 • 818-247-6000 • FAX 818-500-9912

www.glenair.com

B-16

E-Mail: sales@glenair.com

Series 77 Shrink Boots  
Straight Lipped Adapter Boots, High Ratio  
General Information

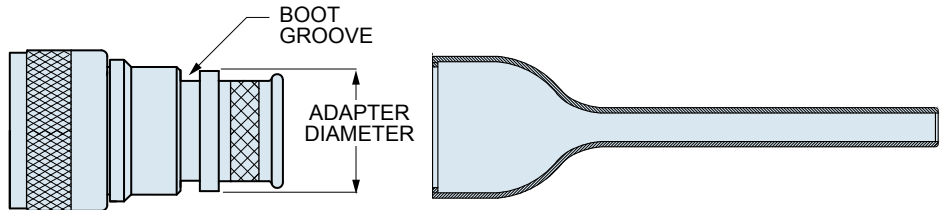


**Lipped Straight Shrink Boots, High Ratio**



Straight lipped high ratio boots are used when the cable or wire bundle is much smaller diameter than the adapter. Choose Type 1 high performance elastomer for extreme temperatures and excellent resistance to fuels and oils, Type 2 non-halogenated flame-retardant polyolefin for use where limited fire hazard is required, or choose Type 3 general purpose polyolefin for use where occasional exposure to heat and chemicals may occur.

- *High ratio to accommodate small-diameter wire bundles with large-diameter adapters*
- *Easy attachment to shrink boot adapters*
- *Three material options*
- *Three adhesive options*



**Table 1: Boot Size Selection Guide**

Boot Size	Adapter Diameter				Min. Cable Diameter	
	Inches		Millimeters		In.	mm.
	Min	Max	Min	Max		
03	.525	.750	13.34	19.05	.100	2.54
04	.775	.950	19.69	24.13	.125	3.18
06	1.050	1.300	26.67	33.02	.150	3.81
07	1.375	1.650	34.93	41.91	.170	4.32

Dimensions in inches (millimeters) and are subject to change without notice.



## Series 77 Shrink Boots Straight Lipped Adapter Boots, High Ratio General Information

### Lipped Straight Shrink Boots, High Ratio: Material Selection Guide and Adhesive Information

B

*Table 2: Material Selection Guide*

Attribute	Type 1 High Performance Semi-Rigid Elastomer	Type 2 Zero Halogen Semi-Rigid Polyolefin	Type 3 General Purpose Flexible Polyolefin
Continuous Operating Temperature	-75° to +150°C	-30° to +135°C	-55° to +135°C
Resistance to Fuels, Oils, and Fluids	Excellent	Very Good	Good
Flammability	Self-Extinguishing <15 Sec.	Self-Extinguishing <15 Sec.	Self-Extinguishing <120 Sec.
Low Temperature Flexibility	-70°C	-30°C	-55°C
Low Toxicity, Zero Halogen	No	Yes	No

*Table 3: Pre-Coated Boots Adhesive Information*

Attribute	W1 High Temperature Hot Melt Adhesive	W2 Standard Hot Melt Adhesive	R High Performance Epoxy Adhesive
Boot Material Compatibility	Types 1, 2 and 3	Types 1, 2 and 3	Type 1
Continuous Operating Temp.	-55° to +125°C	-40° to +80°C	-75° to +150°C
Resistance to Fuels, Oils, and Fluids	Good	Good	Excellent
Low Toxicity, Zero Halogen	Yes	Yes	Yes

Dimensions in inches (millimeters) and are subject to change without notice.

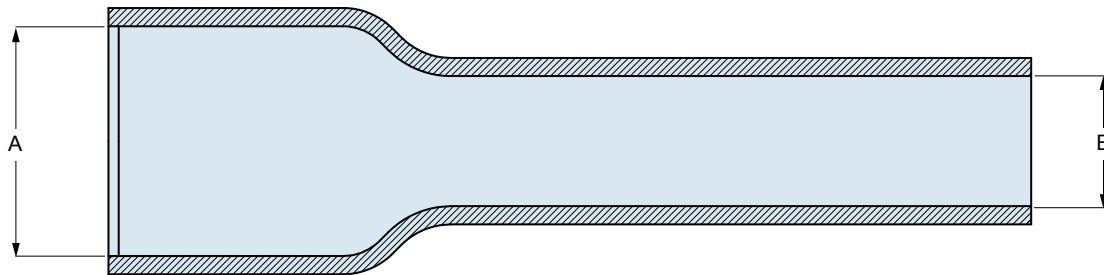


Series 77 Shrink Boots  
Straight Lipped Adapter Boots, High Ratio  
Dimensions

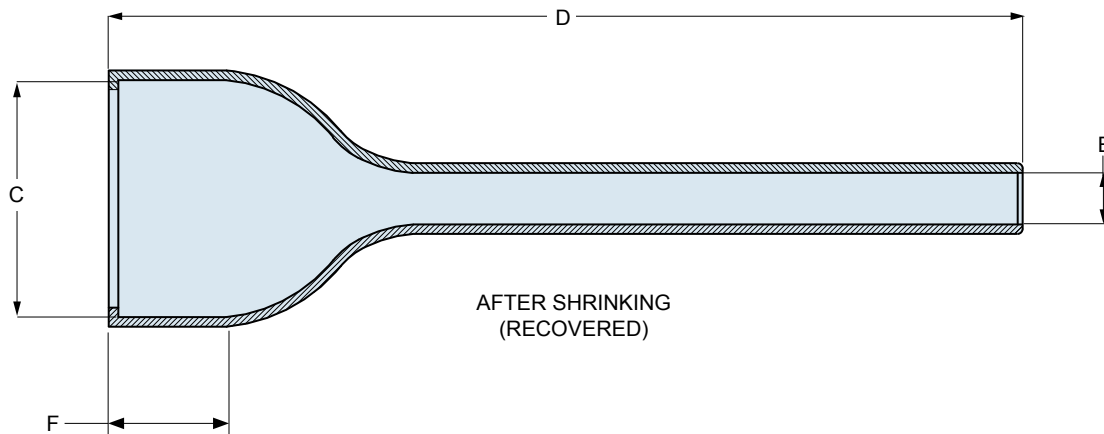


**Lipped Straight High Ratio Shrink Boots: Dimensions**

AS SUPPLIED  
(EXPANDED)



AFTER SHRINKING  
(RECOVERED)



Boot Size	A Min.		B Max.		C Max.		D ± 10%		E Max.		F ± 10%	
	In.	mm.	In.	mm.	In.	mm.	In.	mm.	In.	mm.	In.	mm.
03	.760	19.30	.252	6.40	.512	13.00	2.370	60.2	.083	2.10	.460	11.7
04	1.031	26.20	.299	7.60	.752	19.10	2.921	74.2	.102	2.60	.480	12.2
06	1.350	34.30	.382	9.70	1.024	26.00	3.319	84.3	.122	3.10	.480	12.2
07	1.720	43.70	.449	11.40	1.343	34.10	3.921	99.6	.142	3.60	.480	12.2

Dimensions in inches (millimeters) and are subject to change without notice.

CAGE Code 06324

Printed in U.S.A.



770-007S1

## Type 1 High-Performance Elastomer Straight Lipped Adapter Shrink Boots, High Ratio

### Type 1 High-Performance Elastomer Boots for Advanced Temperature and Chemical Tolerance



Straight lipped high ratio boots are used when the cable or wire bundle is much smaller diameter than the adapter. Semi-rigid high performance material combines excellent resistance to fuels, oils and solvents with superior performance at extreme temperatures. Rated for 3000 hours continuous operation at +150°C, these boots fit most standard boot adapters for circular connectors. Material meets the requirements of VG95343 Type 6, BSG 198-5-DE, EN62329-102 and SAE AS5258 Type H. These boots are recommended for demanding applications such as military vehicles and petrochemical exploration. Boots come standard in black, see table below for optional colors.

- -75° C to +150° C
- *Excellent resistance to fuels, oils, solvents and heat.*
- *Ten available colors*

Boot Size	Part Number			
	No Adhesive Lining	Pre-Coated with W1 Hi-Temp Hot-Melt Adhesive	Pre-Coated with W2 Standard Hot-Melt Adhesive	Pre-Coated with R Epoxy Adhesive
03	<a href="#">770-007S103</a>	<a href="#">770-007S103W1</a>	<a href="#">770-007S103W2</a>	<a href="#">770-007S103R</a>
04	<a href="#">770-007S104</a>	<a href="#">770-007S104W1</a>	<a href="#">770-007S104W2</a>	<a href="#">770-007S104R</a>
06	<a href="#">770-007S106</a>	<a href="#">770-007S106W1</a>	<a href="#">770-007S106W2</a>	<a href="#">770-007S106R</a>
07	<a href="#">770-007S107</a>	<a href="#">770-007S107W1</a>	<a href="#">770-007S107W2</a>	<a href="#">770-007S107R</a>

#### Material Color Options for Type 1 High Performance Elastomer Only Add Optional Color Mod Code to End of Any Type 1 Material Product

Mod Code	Color	Similar to (Reference)	Mod Code	Color	Similar to (Reference)
632 B	Blue	PANTONE 3005U	632 R	Red	PANTONE 1797U
632 E	Grey	FED-STD-595; #36270	632 T	Tan	FED-STD-595; #33446
632 G	Green	PANTONE 355U	632 W	White	FED-STD-595; #37875
632 P	Purple	FED-STD-595; #37100	632 Y	Yellow	PANTONE YELLOW U
632 O	Orange	FED-STD-595; #32300	Standard	Black	FED-STD-595; #37038

Dimensions in inches (millimeters) and are subject to change without notice.

© 2012 Glenair, Inc.

CAGE Code 06324

Printed in U.S.A.

**GLENAIR, INC. • 1211 AIR WAY • GLENDALE, CA 91201-2497 • 818-247-6000 • FAX 818-500-9912**

www.glenair.com

**B-20**

E-Mail: [sales@glenair.com](mailto:sales@glenair.com)

**770-007S2**  
**Type 2 Zero Halogen**  
**Straight Lipped Adapter Shrink Boots, High Ratio**



**Type 2 Low Smoke Zero Halogen (LSZH) For Regulated Environmental Safety Applications**



Straight lipped high ratio boots are used when the cable or wire bundle is much smaller diameter than the adapter. Halogen-free semi-flexible polyolefin meets low smoke and toxicity requirements of shipboard, transit and aircraft systems. These Low Smoke/Zero Halogen (LSZH) boots fit most standard shrink boot adapters, including AS5258 types along with Glenair Series 31 and Series 44 adapters. Oxygen index greater than 30%, smoke index less than 20, and toxicity index under 3 per 100 grams. Material meets requirements of NAVSEA 5617649, VG95343 Part 29, BSG 198-5-DF, EN62329-101 and SAE AS5258 Type G. Good resistance to oils, fuels and solvents. Available with high temperature hot melt adhesive lining, these boots provide strain relief and environmental protection to connector/cable transitions. Temperature rating -30° to +125° C. Black color.

- *Low Smoke, Zero Halogen*
- *Meets U.S. and E.U. toxicity requirements.*
- *-30° C to +135° C*

Boot Size	Part Number			
	No Adhesive Lining	Pre-Coated with W1 Hi-Temp Hot-Melt Adhesive	Pre-Coated with W2 Standard Hot-Melt Adhesive	Pre-Coated with R Epoxy Adhesive
03	<a href="#">770-007S203</a>	<a href="#">770-007S203W1</a>	<a href="#">770-007S203W2</a>	<a href="#">770-007S203R</a>
04	<a href="#">770-007S204</a>	<a href="#">770-007S204W1</a>	<a href="#">770-007S204W2</a>	<a href="#">770-007S204R</a>
06	<a href="#">770-007S206</a>	<a href="#">770-007S206W1</a>	<a href="#">770-007S206W2</a>	<a href="#">770-007S206R</a>
07	<a href="#">770-007S207</a>	<a href="#">770-007S207W1</a>	<a href="#">770-007S207W2</a>	<a href="#">770-007S207R</a>

**770-007S3**  
**Type 3 Flexible Polyolefin**  
**Straight Lipped Adapter Shrink Boots, Long Tail**

**Type 3 Flexible Polyolefin For General Duty Applications**



Straight lipped high ratio boots are used when the cable or wire bundle is much smaller diameter than the adapter. Economical flexible polyolefin boots fit standard M85049 shrink boot adapters, Glenair Series 31 and Series 44 adapters. These self-extinguishing boots meet the requirements of SAE AS81765/1 Type 1. Good resistance to oils and fuels. Available with optional hot melt adhesive lining, these boots provide strain relief and environmental protection to connector/cable transitions, and are ideally suited for heat-sensitive cables due to the material's low heat shrink temperature of +100° C. Temperature rating -55° to +135° C. Black color.

- *General purpose harnessing*
- *Economical, flexible*
- *-55° C to +135° C*

Boot Size	Part Number	
	No Adhesive Lining	Pre-Coated with W2 Standard Hot-Melt Adhesive
03	<a href="#">770-007S303</a>	<a href="#">770-007S303W2</a>
04	<a href="#">770-007S304</a>	<a href="#">770-007S304W2</a>
06	<a href="#">770-007S306</a>	<a href="#">770-007S306W2</a>
07	<a href="#">770-007S307</a>	<a href="#">770-007S307W2</a>

Dimensions in inches (millimeters) and are subject to change without notice.

**SERIES 77**

# FULL NELSON

**RIGHT ANGLE 90° LIPPED ADAPTER BOOTS**



**R**ight angle boots with lip for attachment to standard circular connector adapters. After shrinking, the boot lip locks into adapter groove. 90° angled configuration aids in efficient routing of wire harnesses and cables. Eyelet hole allows attachment of dust caps or protective covers. Choose Type 1 high performance elastomer for extreme temperatures, COLOR OPTIONS and excellent resistance to fuels and oils, Type 2 non-halogenated flame-retardant polyolefin for use where limited fire hazard is required, or choose Type 3 general purpose polyolefin for use where occasional exposure to heat and chemicals may occur.



Series 77 Shrink Boots  
90° Right Angle Lipped Adapter Shrink Boots  
General Information



Lipped 90°

Lipped 90° Right Angle Adapter Shrink Boots



Right angle boots with lip for attachment to standard circular connector adapters. After shrinking, the boot lip locks into adapter groove. 90° angled configuration aids in efficient routing of wire harnesses and cables. Eyelet hole allows attachment of dust caps or protective covers. Choose Type 1 high performance elastomer for extreme temperatures and excellent resistance to fuels and oils, Type 2 non-halogenated flame-retardant polyolefin for use where limited fire hazard is required, or choose Type 3 general purpose polyolefin for use where occasional exposure to heat and chemicals may occur.

- Easy attachment to shrink boot adapters
- Three material options
- Three adhesive options
- With or without eyelets
- Drain holes and potting ports available
- Non-adhesive lined boots (For use with Type U two-part epoxy):

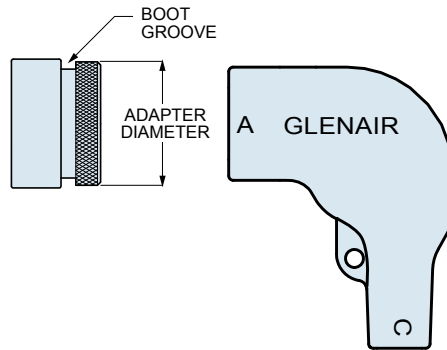


Table 1: Boot Size Selection Guide

Boot Size	Adapter Diameter				Min. Cable Diameter	
	Inches		Millimeters		In.	mm.
	Min	Max	Min	Max		
02	.350	.625	8.89	15.88	.175	4.45
03	.450	.850	11.43	21.59	.225	5.72
04	.575	1.000	14.61	25.40	.250	6.35
05	.750	1.200	19.05	30.48	.300	7.62
06	.950	1.350	24.13	34.29	.375	9.53
07	1.150	1.600	29.21	40.64	.425	10.80
08	1.600	2.000	40.60	50.80	.650	16.50
09	1.780	2.550	45.20	64.80	.700	17.80

Table 2: Material Selection Guide

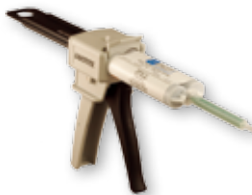
Attribute	Type 1 High Performance Semi-Rigid Elastomer	Type 2 Zero Halogen Semi-Rigid Polyolefin	Type 3 General Purpose Flexible Polyolefin
Continuous Operating Temperature	-75° to +150°C	-30° to +135°C	-55° to +135°C
Resistance to Fuels, Oils, and Fluids	Excellent	Very Good	Good
Flammability	Self-Extinguishing <15 Sec.	Self-Extinguishing <15 Sec.	Self-Extinguishing <120 Sec.
Low Temperature Flexibility	-70°C	-30°C	-55°C
Low Toxicity, Zero Halogen	No	Yes	No

Table 3: Pre-Coated Boots Adhesive Information

Attribute	W1 High Temperature Hot Melt Adhesive	W2 Standard Hot Melt Adhesive	R High Performance Epoxy Adhesive
Boot Material Compatibility	Types 1, 2 and 3	Types 1, 2 and 3	Type 1
Continuous Operating Temp.	-55° to +125°C	-40° to +80°C	-75° to +150°C
Resistance to Fuels, Oils, and Fluids	Good	Good	Excellent
Low Toxicity, Zero Halogen	Yes	Yes	Yes



Part Number	779-001
-------------	---------



Part Number	779-002
-------------	---------



Part Number	Package Size
779-003	12

Dimensions in inches (millimeters) and are subject to change without notice.

© 2011 Glenair, Inc.

CAGE Code 06324

Printed in U.S.A.

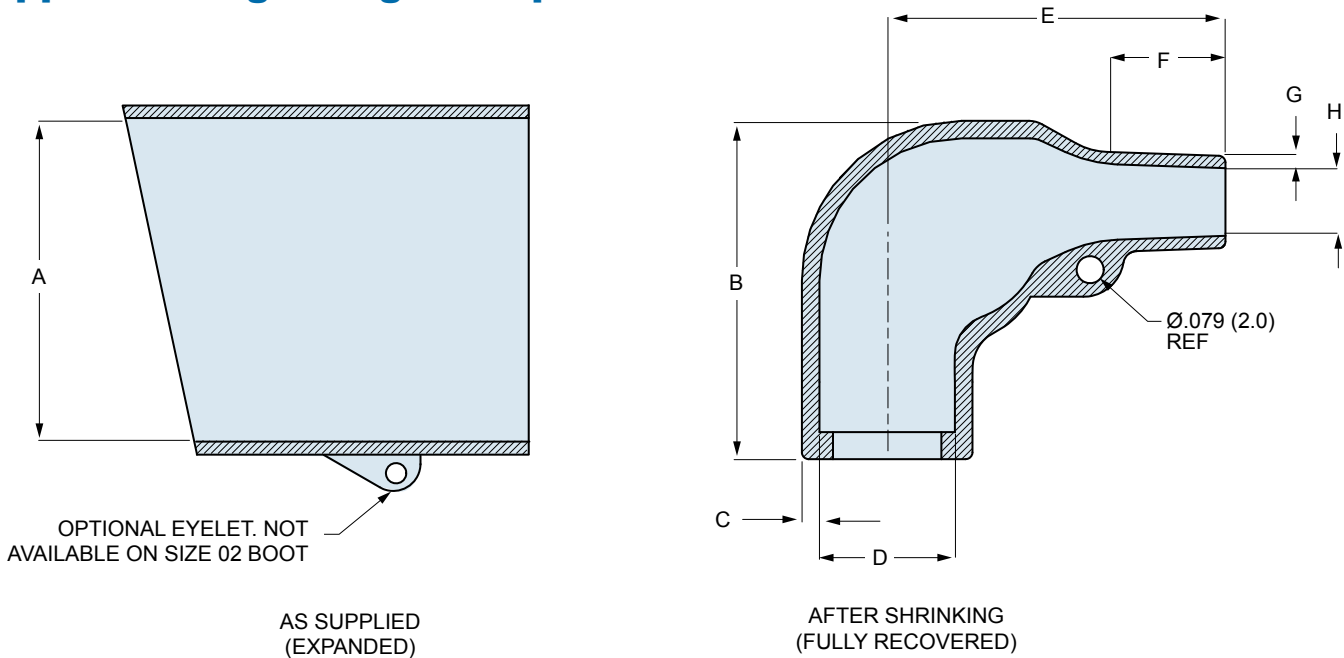
GLENAIR, INC. • 1211 AIR WAY • GLENDALE, CA 91201-2497 • 818-247-6000 • FAX 818-500-9912

www.glenair.com

C-1

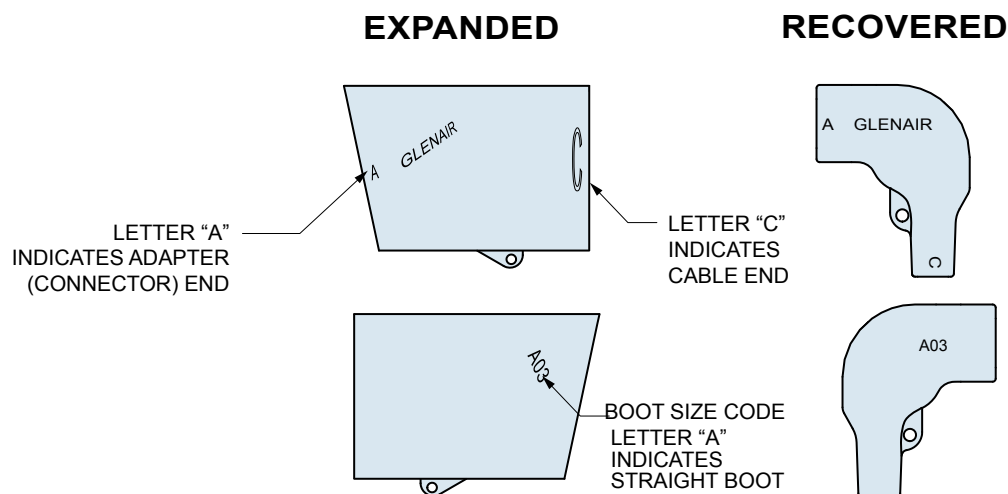
E-Mail: sales@glenair.com

## Lipped 90° Right Angle Adapter Shrink Boots: Dimensions



Boot Size	A Min.		B Ref.		C ± 30%		D Max.		E ± 20%		F Ref.		G ± 20%		H Max.	
	In.	mm.	In.	mm.	In.	mm.	In.	mm.	In.	mm.	In.	mm.	In.	mm.	In.	mm.
02	.669	17.0	.787	20.0	.051	1.3	.315	8.0	.787	20.0	.276	7.0	.028	0.7	.138	3.5
03	.945	24.0	.984	25.0	.063	1.6	.394	10.0	.984	25.0	.394	10.0	.035	0.9	.197	5.0
04	1.181	30.0	1.063	27.0	.071	1.8	.532	13.5	1.260	32.0	.472	12.0	.039	1.0	.217	5.5
05	1.260	32.0	1.260	32.0	.071	1.8	.709	18.0	1.535	39.0	.591	15.0	.047	1.2	.276	7.0
06	1.417	36.0	1.496	38.0	.079	2.0	.886	22.5	1.929	49.0	.630	16.0	.047	1.2	.335	8.5
07	1.693	43.0	1.850	47.0	.087	2.2	1.102	28.0	2.165	55.0	.709	18.0	.059	1.5	.394	10.0
08	2.050	52.0	2.130	54.0	.130	3.3	1.380	35.1	3.150	80.0	1.260	32.0	.060	1.5	.620	15.7
09	2.600	66.0	2.680	68.0	.150	3.8	1.750	44.5	4.250	108.0	1.890	48.0	.080	2.0	.660	16.8

## Lipped 90° Right Angle Shrink Boots: Part Marking, Raised Lettering



Dimensions in inches (millimeters) and are subject to change without notice.

770-001A1 and 770-003A1  
 Type 1 High-Performance Elastomer  
 90° Right Angle Lipped Adapter Shrink Boots



Lipped 90°

**Type 1 High-Performance Elastomer Boots for Advanced Temperature and Chemical Tolerance**



Semi-rigid high performance boots combine excellent resistance to fuels, oils and solvents with superior performance at extreme temperatures. Rated for 3000 hours continuous operation at +150° C, these 90° boots fit most standard boot adapters for circular connectors and aid in efficient routing of wire harnesses and cables. Material meets the requirements of VG95343 Type 6, BSG 198-5-DE, EN62329-102 and SAE AS5258 Type H. These boots are recommended for demanding applications such as military vehicles and petrochemical exploration. Boots come standard in black, see table below for optional colors.

- -75° C to +150° C
- Excellent resistance to fuels, oils, solvents and heat.
- Ten available colors

Boot Size	Part Number with Eyelet				Part Number without Eyelet			
	No Adhesive Lining	Pre-Coated with W1 Hi-Temp Hot-Melt Adhesive	Pre-Coated with W2 Standard Hot-Melt Adhesive	Pre-Coated with R Epoxy Adhesive	No Adhesive Lining	Pre-Coated with W1 Hi-Temp Hot-Melt Adhesive	Pre-Coated with W2 Standard Hot-Melt Adhesive	Pre-Coated with R Epoxy Adhesive
02	—	—	—	—	770-003A102	770-003A102W1	770-003A102W2	770-003A102R
03	770-001A103	770-001A103W1	770-001A103W2	770-001A103R	770-003A103	770-003A103W1	770-003A103W2	770-003A103R
04	770-001A104	770-001A104W1	770-001A104W2	770-001A104R	770-003A104	770-003A104W1	770-003A104W2	770-003A104R
05	770-001A105	770-001A105W1	770-001A105W2	770-001A105R	770-003A105	770-003A105W1	770-003A105W2	770-003A105R
06	770-001A106	770-001A106W1	770-001A106W2	770-001A106R	770-003A106	770-003A106W1	770-003A106W2	770-003A106R
07	770-001A107	770-001A107W1	770-001A107W2	770-001A107R	770-003A107	770-003A107W1	770-003A107W2	770-003A107R
08	770-001A108	770-001A108W1	770-001A108W2	770-001A108R	770-003A108	770-003A108W1	770-003A108W2	770-003A108R
09	770-001A109	770-001A109W1	770-001A109W2	770-001A109R	—	—	—	—

Add "-DH" to the end of any part number for drain holes.  
 Add "-PP" to the end of any part number for potting ports.

**Material Color Options for Type 1 High Performance Elastomer Only**  
 Add Optional Color Mod Code to End of Any Type 1 Material Product

Mod Code	Color	Similar to (Reference)	Mod Code	Color	Similar to (Reference)
632 B	Blue	PANTONE 3005U	632 R	Red	PANTONE 1797U
632 E	Grey	FED-STD-595; #36270	632 T	Tan	FED-STD-595; #33446
632 G	Green	PANTONE 355U	632 W	White	FED-STD-595; #37875
632 P	Purple	FED-STD-595; #37100	632 Y	Yellow	PANTONE YELLOW U
632 O	Orange	FED-STD-595; #32300	Standard	Black	FED-STD-595; #37038

Dimensions in inches (millimeters) and are subject to change without notice.



## 770-001A2 and 770-003A2 Type 2 Low Smoke Zero Halogen 90° Right Angle Lipped Adapter Shrink Boots

### Type 2 Low Smoke Zero Halogen (LSZH) For Regulated Environmental Safety Applications



Halogen-free polyolefin boots meet low smoke and toxicity requirements of shipboard, transit and aircraft systems. These Low Smoke/Zero Halogen (LSZH) boots fit most standard shrink boot adapters, including M85049 types along with Glenair Series 31 and Series 44 adapters. Oxygen index greater than 30%, smoke index less than 20, and toxicity index under 3 per 100 grams. Material meets requirements of NAVSEA 5617649, VG95343 Part 29, BSG 198-5-DF, EN62329-101 and SAE AS5258 Type G. Good resistance to oils, fuels and solvents. Available with epoxy or hot melt adhesive lining, these 90° boots provide strain relief and environmental protection to connector/cable transitions and aid in efficient routing of wire harnesses and cables. Temperature rating -30° to +135° C. Black color.

- *Low Smoke, Zero Halogen*
- *Meets U.S. and E.U. toxicity requirements.*
- *-30° C to +135° C*

Boot Size	Part Number with Eyelet				Part Number without Eyelet			
	No Adhesive Lining	Pre-Coated with W1 Hi-Temp Hot-Melt Adhesive	Pre-Coated with W2 Standard Hot-Melt Adhesive	Pre-Coated with R Epoxy Adhesive	No Adhesive Lining	Pre-Coated with W1 Hi-Temp Hot-Melt Adhesive	Pre-Coated with W2 Standard Hot-Melt Adhesive	Pre-Coated with R Epoxy Adhesive
02	—	—	—	—	770-003A202	770-003A202W1	770-003A202W2	770-003A202R
03	770-001A203	770-001A203W1	770-001A203W2	770-001A203R	770-003A203	770-003A203W1	770-003A203W2	770-003A203R
04	770-001A204	770-001A204W1	770-001A204W2	770-001A204R	770-003A204	770-003A204W1	770-003A204W2	770-003A204R
05	770-001A205	770-001A205W1	770-001A205W2	770-001A205R	770-003A205	770-003A205W1	770-003A205W2	770-003A205R
06	770-001A206	770-001A206W1	770-001A206W2	770-001A206R	770-003A206	770-003A206W1	770-003A206W2	770-003A206R
07	770-001A207	770-001A207W1	770-001A207W2	770-001A207R	770-003A207	770-003A207W1	770-003A207W2	770-003A207R
08	770-001A208	770-001A208W1	770-001A208W2	770-001A208R	770-003A208	770-003A208W1	770-003A208W2	770-003A208R
09	770-001A209	770-001A209W1	770-001A209W2	770-001A209R	—	—	—	—

Add "**-DH**" to the end of any part number for drain holes.  
Add "**-PP**" to the end of any part number for potting ports.

Dimensions in inches (millimeters) and are subject to change without notice.



770-001A3 and 770-003A3  
 Type 3 Flexible Polyolefin  
 90° Right Angle Lipped Adapter Shrink Boots



**Type 3 Flexible Polyolefin For General Duty Applications**



Economical flexible lipped polyolefin boots for attachment to connector adapters. These self-extinguishing boots meet the requirements of SAE AS81765/1 Type II. Good resistance to oils and fuels. Available with optional hot melt adhesive lining, these 90° boots provide strain relief and environmental protection to connector/cable transitions and aid in efficient routing of wire harnesses and cables, and are ideally suited for heat-sensitive cables due to the material's low heat shrink temperature of +100° C. Temperature rating -55° to +135° C. Black color.

- *General purpose harnessing*
- *Economical, flexible*
- *-55° C to +135° C*

Boot Size	Part Number with Eyelet		Part Number without Eyelet	
	No Adhesive Lining	Pre-Coated with W2 Standard Hot-Melt Adhesive	No Adhesive Lining	Pre-Coated with W2 Standard Hot-Melt Adhesive
02	—	—	<a href="#">770-003A302</a>	<a href="#">770-003A302W2</a>
03	<a href="#">770-001A303</a>	<a href="#">770-001A303W2</a>	<a href="#">770-003A303</a>	<a href="#">770-003A303W2</a>
04	<a href="#">770-001A304</a>	<a href="#">770-001A304W2</a>	<a href="#">770-003A304</a>	<a href="#">770-003A304W2</a>
05	<a href="#">770-001A305</a>	<a href="#">770-001A305W2</a>	<a href="#">770-003A305</a>	<a href="#">770-003A305W2</a>
06	<a href="#">770-001A306</a>	<a href="#">770-001A306W2</a>	<a href="#">770-003A306</a>	<a href="#">770-003A306W2</a>
07	<a href="#">770-001A307</a>	<a href="#">770-001A307W2</a>	<a href="#">770-003A307</a>	<a href="#">770-003A307W2</a>
08	<a href="#">770-001A308</a>	<a href="#">770-001A308W2</a>	<a href="#">770-003A308</a>	<a href="#">770-003A308W2</a>
09	—	—	—	—

Add "**-DH**" to the end of any part number for drain holes.  
 Add "**-PP**" to the end of any part number for potting ports.



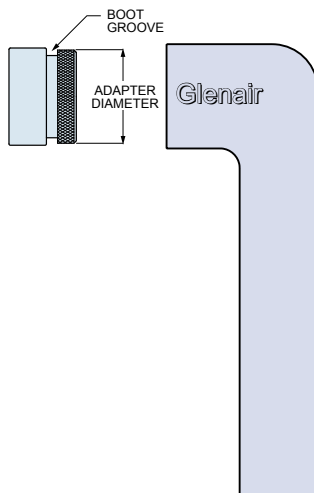
## Series 77 Shrink Boots 90° Lipped Adapter Boots, Long Tail General Information

### Lipped 90° Right Angle Adapter Shrink Boots



Right angle boots with lip for attachment to standard circular connector adapters. After shrinking, the boot lip locks into adapter groove. 90° angled configuration aids in efficient routing of wire harnesses and cables. Choose Type 1 high performance elastomer for extreme temperatures and excellent resistance to fuels and oils, Type 2 non-halogenated flame-retardant polyolefin for use where limited fire hazard is required, or choose Type 3 general purpose polyolefin for use where occasional exposure to heat and chemicals may occur.

- Long tail for enhanced cable strain relief
- Easy attachment to shrink boot adapters
- Three material options
- Three adhesive options
- Drain holes and potting ports available



**Table 1: Boot Size Selection Guide**

Boot Size	Adapter Diameter				Min. Cable Diameter	
	Inches		Millimeters		In.	mm.
	Min	Max	Min	Max		
02	.500	.800	12.70	20.32	.275	6.99
03	.650	.900	16.51	22.86	.325	8.26
04	.825	1.000	20.96	25.40	.375	9.53
05	.900	1.300	22.86	33.02	.425	10.80
06	1.250	1.400	31.75	35.56	.450	11.43
07	1.450	1.700	36.83	43.18	.525	13.34
08	1.650	1.900	41.91	48.26	.600	15.24
09	1.900	2.450	48.30	32.30	.720	18.30
10	2.450	2.700	62.30	68.60	.800	20.30
11	2.700	3.200	68.60	81.30	.920	23.40

**Table 2: Material Selection Guide**

Attribute	Type 1 High Performance Semi-Rigid Elastomer	Type 2 Zero Halogen Semi-Rigid Polyolefin	Type 3 General Purpose Flexible Polyolefin
Continuous Operating Temperature	-75° to +150°C	-30° to +135°C	-55° to +135°C
Resistance to Fuels, Oils, and Fluids	Excellent	Very Good	Good
Flammability	Self-Extinguishing <15 Sec.	Self-Extinguishing <15 Sec.	Self-Extinguishing <120 Sec.
Low Temperature Flexibility	-70°C	-30°C	-55°C
Low Toxicity, Zero Halogen	No	Yes	No

**Table 3: Pre-Coated Boots Adhesive Information**

Attribute	W1 High Temperature Hot Melt Adhesive	W2 Standard Hot Melt Adhesive	R High Performance Epoxy Adhesive
Boot Material Compatibility	Types 1, 2 and 3	Types 1, 2 and 3	Type 1
Continuous Operating Temp.	-55° to +125°C	-40° to +80°C	-75° to +150°C
Resistance to Fuels, Oils, and Fluids	Good	Good	Excellent
Low Toxicity, Zero Halogen	Yes	Yes	Yes

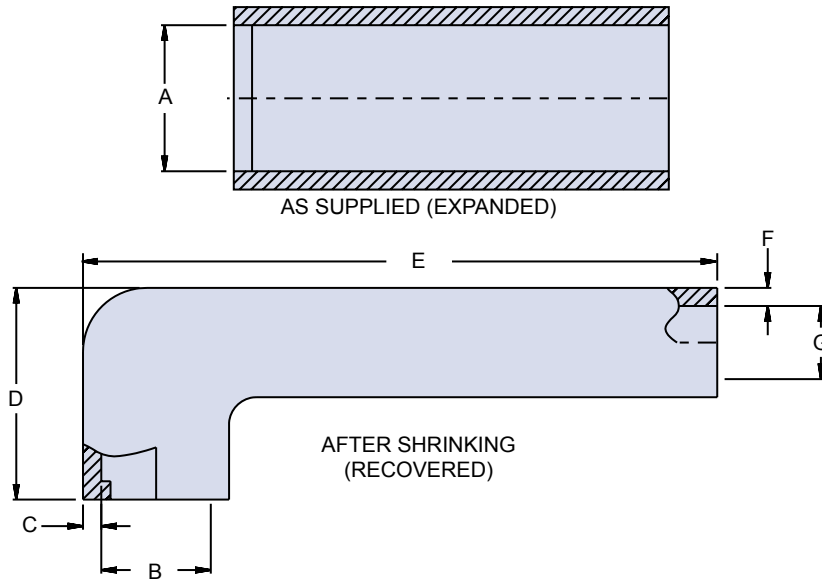
Dimensions in inches (millimeters) and are subject to change without notice.

Series 77 Shrink Boots  
90° Lipped Adapter Boots, Long Tail  
Dimensions



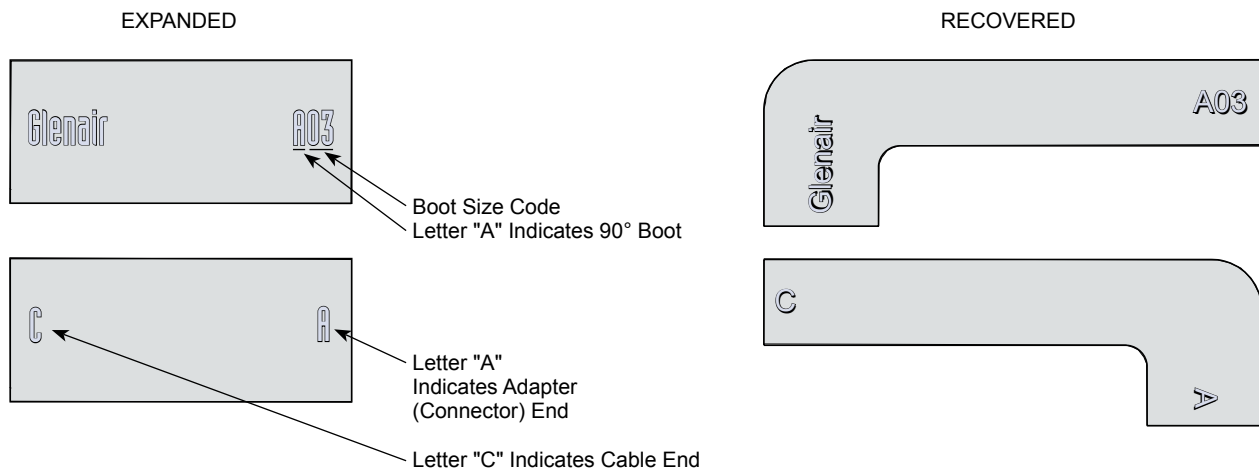
Lipped 90°

Lipped 90° Long Tail Shrink Boots: Dimensions



Boot Size	A Min.		B Max.		C ± 30%		D Ref.		E ± 10%		F ± 20%		G Max.	
	In.	mm.	In.	mm.	In.	mm.	In.	mm.	In.	mm.	In.	mm.	In.	mm.
02	.886	22.5	.433	11.0	.059	1.5	.728	18.5	4.142	105.2	.047	1.2	.256	6.5
03	.984	25.0	.591	15.0	.059	1.5	.780	19.8	4.882	124.0	.047	1.2	.295	7.5
04	1.181	30.0	.748	19.0	.071	1.8	.819	20.8	5.760	146.3	.047	1.2	.335	8.5
05	1.378	35.0	.827	21.0	.071	1.8	.858	21.8	6.780	172.2	.047	1.2	.374	9.5
06	1.476	37.5	1.181	30.0	.079	2.0	.961	24.4	7.291	185.2	.047	1.2	.413	10.5
07	1.772	45.0	1.339	34.0	.079	2.0	1.079	27.4	8.409	213.6	.047	1.2	.472	12.0
08	1.969	50.0	1.575	40.0	.091	2.3	1.161	29.5	8.839	224.5	.059	1.5	.551	14.0
09	2.469	62.7	1.850	47.0	.100	2.5	1.311	33.3	8.949	227.3	.059	1.5	.690	17.5

Lipped 90° Long Tail Shrink Boots: Part Marking, Raised Lettering



Dimensions in inches (millimeters) and are subject to change without notice.



## 770-006S1 Type 1 High-Performance Elastomer 90° Lipped Adapter Shrink Boots, Long Tail

### Type 1 High-Performance Elastomer Boots for Advanced Temperature and Chemical Tolerance



Semi-rigid high performance boots combine excellent resistance to fuels, oils and solvents with superior performance at extreme temperatures. Rated for 3000 hours continuous operation at +150° C, these boots fit most standard boot adapters for circular connectors. Long tail provides additional cable strain relief compared to standard length boots. Material meets the requirements of VG95343 Type 6, BSG 198-5-DE, EN62329-102 and SAE AS5258 Type H. These boots are recommended for demanding applications such as military vehicles and petrochemical exploration. Boots come standard in black, see table below for optional colors.

- -75° C to +150° C
- Excellent resistance to fuels, oils, solvents and heat.
- Ten available colors

Boot Size	Part Number			
	No Adhesive Lining	Pre-Coated with W1 Hi-Temp Hot-Melt Adhesive	Pre-Coated with W2 Standard Hot-Melt Adhesive	Pre-Coated with R Epoxy Adhesive
02	<a href="#">770-006A102</a>	<a href="#">770-006A102W1</a>	<a href="#">770-006A102W2</a>	<a href="#">770-006A102R</a>
03	<a href="#">770-006A103</a>	<a href="#">770-006A103W1</a>	<a href="#">770-006A103W2</a>	<a href="#">770-006A103R</a>
04	<a href="#">770-006A104</a>	<a href="#">770-006A104W1</a>	<a href="#">770-006A104W2</a>	<a href="#">770-006A104R</a>
05	<a href="#">770-006A105</a>	<a href="#">770-006A105W1</a>	<a href="#">770-006A105W2</a>	<a href="#">770-006A105R</a>
06	<a href="#">770-006A106</a>	<a href="#">770-006A106W1</a>	<a href="#">770-006A106W2</a>	<a href="#">770-006A106R</a>
07	<a href="#">770-006A107</a>	<a href="#">770-006A107W1</a>	<a href="#">770-006A107W2</a>	<a href="#">770-006A107R</a>
08	<a href="#">770-006A108</a>	<a href="#">770-006A108W1</a>	<a href="#">770-006A108W2</a>	<a href="#">770-006A108R</a>
09	<a href="#">770-006A109</a>	<a href="#">770-006A109W1</a>	<a href="#">770-006A109W2</a>	<a href="#">770-006A109R</a>

Add "-DH" to the end of any part number for drain holes.

Add "-PP" to the end of any part number for potting ports.

#### Material Color Options for Type 1 High Performance Elastomer Only Add Optional Color Mod Code to End of Any Type 1 Material Product

Mod Code	Color	Similar to (Reference)	Mod Code	Color	Similar to (Reference)
632 B	Blue	PANTONE 3005U	632 R	Red	PANTONE 1797U
632 E	Grey	FED-STD-595; #36270	632 T	Tan	FED-STD-595; #33446
632 G	Green	PANTONE 355U	632 W	White	FED-STD-595; #37875
632 P	Purple	FED-STD-595; #37100	632 Y	Yellow	PANTONE YELLOW U
632 O	Orange	FED-STD-595; #32300	Standard	Black	FED-STD-595; #37038

Dimensions in inches (millimeters) and are subject to change without notice.

**770-006S2**  
**Type 2 Zero Halogen**  
**90° Lipped Adapter Shrink Boots, Long Tail**



Lipped 90°

**Type 2 Low Smoke Zero Halogen (LSZH) For Regulated Environmental Safety Applications**



Halogen-free semi-flexible polyolefin boots meet low smoke and toxicity requirements of shipboard, transit and aircraft systems. These Low Smoke/Zero Halogen (LSZH) boots fit most standard shrink boot adapters, including M85049 types along with Glenair Series 31 and Series 44 adapters. Oxygen index greater than 30%, smoke index less than 20, and toxicity index under 3 per 100 grams. Material meets requirements of NAVSEA 5617649, VG95343 Part 29, BSG 198-5-DF, EN62329-101 and SAE AS5258 Type G. Good resistance to oils, fuels and solvents. Available with high temperature hot melt adhesive lining, these long tail boots provide environmental protection to connector/cable transitions, and enhanced cable strain relief compared to standard length boots. Temperature rating -30° to +135° C. Black color.

- **Low Smoke, Zero Halogen**
- **Meets U.S. and E.U. toxicity requirements.**
- **-30° C to +135° C**

Add "-DH" to the end of any part number for drain holes.

Add "-PP" to the end of any part number for potting ports.

Boot Size	Part Number			
	No Adhesive Lining	Pre-Coated with W1 Hot-Melt Adhesive	Pre-Coated with W2 Hot-Melt Adhesive	Pre-Coated with R Epoxy Adhesive
02	<a href="#">770-006A202</a>	<a href="#">770-006A202W1</a>	<a href="#">770-006A202W2</a>	<a href="#">770-006A202R</a>
03	<a href="#">770-006A203</a>	<a href="#">770-006A203W1</a>	<a href="#">770-006A203W2</a>	<a href="#">770-006A203R</a>
04	<a href="#">770-006A204</a>	<a href="#">770-006A204W1</a>	<a href="#">770-006A204W2</a>	<a href="#">770-006A204R</a>
05	<a href="#">770-006A205</a>	<a href="#">770-006A205W1</a>	<a href="#">770-006A205W2</a>	<a href="#">770-006A205R</a>
06	<a href="#">770-006A206</a>	<a href="#">770-006A206W1</a>	<a href="#">770-006A206W2</a>	<a href="#">770-006A206R</a>
07	<a href="#">770-006A207</a>	<a href="#">770-006A207W1</a>	<a href="#">770-006A207W2</a>	<a href="#">770-006A207R</a>
08	<a href="#">770-006A208</a>	<a href="#">770-006A208W1</a>	<a href="#">770-006A208W2</a>	<a href="#">770-006A208R</a>
09	<a href="#">770-006A209</a>	<a href="#">770-006A209W1</a>	<a href="#">770-006A209W2</a>	<a href="#">770-006A209R</a>

C

**770-006S3**  
**Type 3 Flexible Polyolefin 90° Lipped Adapter Shrink Boots, Long Tail**

**Type 3 Flexible Polyolefin For General Duty Applications**



Economical flexible polyolefin boots fit standard shrink boot adapters, Glenair Series 31 and Series 44 adapters. These self-extinguishing boots meet the requirements of SAE AS81765/1 Type 1. Good resistance to oils and fuels. Available with optional hot melt adhesive lining, these long tail boots provide environmental protection to connector/cable transitions, and enhanced cable strain relief compared to standard length boots, and are ideally suited for heat-sensitive cables due to the material's low heat shrink temperature of +100° C. Temperature rating -55° to +135° C. Black color.

- **General purpose harnessing**
- **Economical, flexible**
- **-55° C to +135° C**

Add "-DH" to the end of any part number for drain holes.

Add "-PP" to the end of any part number for potting ports.

Boot Size	Part Number	
	No Adhesive Lining	Pre-Coated with W2 Standard Hot-Melt Adhesive
02	<a href="#">770-006A302</a>	<a href="#">770-006A302W2</a>
03	<a href="#">770-006A303</a>	<a href="#">770-006A303W2</a>
04	<a href="#">770-006A304</a>	<a href="#">770-006A304W2</a>
05	<a href="#">770-006A305</a>	<a href="#">770-006A305W2</a>
06	<a href="#">770-006A306</a>	<a href="#">770-006A306W2</a>
07	<a href="#">770-006A307</a>	<a href="#">770-006A307W2</a>
08	<a href="#">770-006A308</a>	<a href="#">770-006A308W2</a>
09	<a href="#">770-006A309</a>	<a href="#">770-006A309W2</a>

Dimensions in inches (millimeters) and are subject to change without notice.



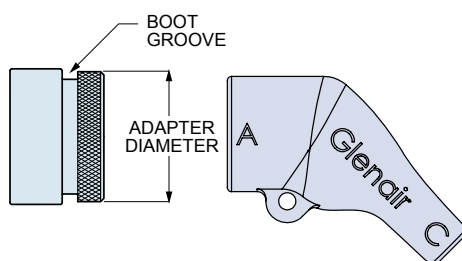
## Series 77 Shrink Boots 45° Angle Lipped Adapter Shrink Boots General Information

### Lipped 45° Angle Shrink Boots



45° angle boots with lip for attachment to standard circular connector adapters. After shrinking, the boot lip locks into adapter groove. 45° angled configuration aids in efficient routing of wire harnesses and cables. Eyelet hole allows attachment of dust caps or protective covers. Choose Type 1 high performance elastomer for extreme temperatures and excellent resistance to fuels and oils, Type 2 non-halogenated flame-retardant polyolefin for use where limited fire hazard is required, or choose Type 3 general purpose polyolefin for use where occasional exposure to heat and chemicals may occur.

- Easy attachment to shrink boot adapters
- Three material options
- Three adhesive options
- With or without eyelets
- Drain holes and potting ports available



**Table 1: Boot Size Selection Guide**

Boot Size	Adapter Diameter				Min. Cable Diameter	
	Inches		Millimeters		In.	mm.
	Min	Max	Min	Max		
03	.450	.850	11.43	21.59	.225	5.72
04	.575	1.000	14.61	25.40	.250	6.35
05	.750	1.200	19.05	30.48	.300	7.62
06	.950	1.350	24.13	34.29	.375	9.53
07	1.150	1.600	29.21	40.64	.425	10.80

**Table 2: Material Selection Guide**

Attribute	Type 1 High Performance Semi-Rigid Elastomer	Type 2 Zero Halogen Semi-Rigid Polyolefin	Type 3 General Purpose Flexible Polyolefin
Continuous Operating Temperature	-75° to +150°C	-30° to +135°C	-55° to +135°C
Resistance to Fuels, Oils, and Fluids	Excellent	Very Good	Good
Flammability	Self-Extinguishing <15 Sec.	Self-Extinguishing <15 Sec.	Self-Extinguishing <120 Sec.
Low Temperature Flexibility	-70°C	-30°C	-55°C
Low Toxicity, Zero Halogen	No	Yes	No

**Table 3: Pre-Coated Boots Adhesive Information**

Attribute	W1 High Temperature Hot Melt Adhesive	W2 Standard Hot Melt Adhesive	R High Performance Epoxy Adhesive
Boot Material Compatibility	Types 1, 2 and 3	Types 1, 2 and 3	Type 1
Continuous Operating Temp.	-55° to +125°C	-40° to +80°C	-75° to +150°C
Resistance to Fuels, Oils, and Fluids	Good	Good	Excellent
Low Toxicity, Zero Halogen	Yes	Yes	Yes

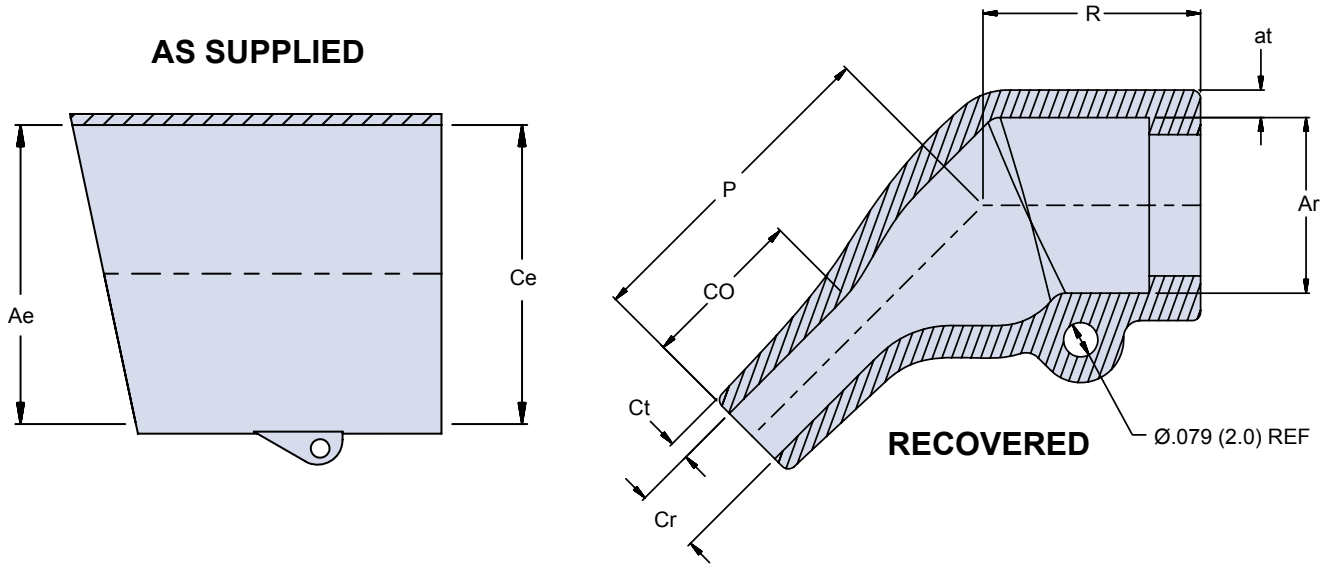
Dimensions in inches (millimeters) and are subject to change without notice.

Series 77 Shrink Boots  
45° Angle Lipped Adapter Shrink Boots  
Dimensions



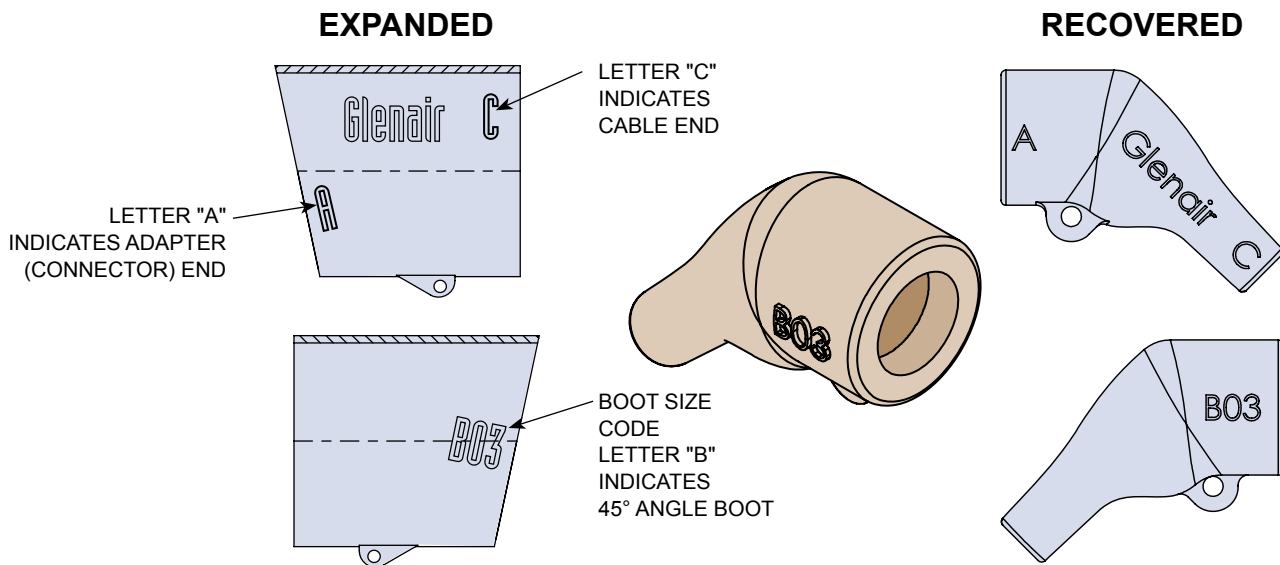
Lipped 90°

Lipped 45° Angle Shrink Boots: Dimensions



Boot Size	Ae Dia Min		Ce Dia Min		Ar Dia Max		at ± 30%		Cr Dia Max		ct ± 20%		CO Ref		P ± 10%		R Ref	
	In.	mm.	In.	mm.	In.	mm.	In.	mm.	In.	mm.	In.	mm.	In.	mm.	In.	mm.	In.	mm.
03	.945	24.0	.945	24.0	.413	10.5	.063	1.6	.157	4.0	.035	0.9	.315	8.0	.748	19.0	.500	12.7
04	1.181	30.0	1.181	30.0	.551	14.0	.071	1.8	.236	6.0	.039	1.0	.354	9.0	1.180	30.0	.748	19.0
05	1.260	32.0	1.260	32.0	.709	18.0	.079	2.0	.276	7.0	.071	1.8	.591	15.0	1.378	35.0	.984	25.0
06	1.417	36.0	1.417	36.0	.866	22.0	.079	2.0	.335	8.5	.071	1.8	.709	18.0	1.575	40.0	1.260	32.0
07	1.693	43.0	1.693	43.0	1.102	28.0	.087	2.2	.394	10.0	.079	2.0	.709	18.0	1.772	45.0	1.496	38.0

Lipped 45° Angle Shrink Boots: Part Marking, Raised Lettering



Dimensions in inches (millimeters) and are subject to change without notice.

© 2011 Glennair, Inc.

CAGE Code 06324

Printed in U.S.A.

GLENNAIR, INC. • 1211 AIR WAY • GLENDALE, CA 91201-2497 • 818-247-6000 • FAX 818-500-9912

www.glennair.com

C-11

E-Mail: sales@glennair.com



## 770-001B1 and 770-003B1 Type 1 High-Performance Elastomer 45° Angle Lipped Adapter Shrink Boots

### Type 1 High-Performance Elastomer Boots for Advanced Temperature and Chemical Tolerance



Semi-rigid high performance boots combine excellent resistance to fuels, oils and solvents with superior performance at extreme temperatures. Rated for 3000 hours continuous operation at +150° C, these boots fit most standard boot adapters for circular connectors. Material meets the requirements of VG95343 Type 6, BSG 198-5-DE, EN62329-102 and SAE AS5258 Type H. These 45° boots aid in efficient routing of wire harnesses and cables and are recommended for demanding applications such as military vehicles and petrochemical exploration. Boots come standard in black, see table below for optional colors.

- -75° C to +150° C
- Excellent resistance to fuels, oils, solvents and heat.
- Ten available colors

Boot Size	Part Number with Eyelet				Part Number without Eyelet			
	No Adhesive Lining	Pre-Coated with W1 Hi-Temp Hot-Melt Adhesive	Pre-Coated with W2 Standard Hot-Melt Adhesive	Pre-Coated with R Epoxy Adhesive	No Adhesive Lining	Pre-Coated with W1 Hi-Temp Hot-Melt Adhesive	Pre-Coated with W2 Standard Hot-Melt Adhesive	Pre-Coated with R Epoxy Adhesive
03	770-001B103	770-001B103W1	770-001B103W2	770-001B103R	770-003B103	770-003B103W1	770-003B103W2	770-003B103R
04	770-001B104	770-001B104W1	770-001B104W2	770-001B104R	770-003B104	770-003B104W1	770-003B104W2	770-003B104R
05	770-001B105	770-001B105W1	770-001B105W2	770-001B105R	770-003B105	770-003B105W1	770-003B105W2	770-003B105R
06	770-001B106	770-001B106W1	770-001B106W2	770-001B106R	770-003B106	770-003B106W1	770-003B106W2	770-003B106R
07	770-001B107	770-001B107W1	770-001B107W2	770-001B107R	770-003B107	770-003B107W1	770-003B107W2	770-003B107R

Add "-DH" to the end of any part number for drain holes.

Add "-PP" to the end of any part number for potting ports.

#### Material Color Options for Type 1 High Performance Elastomer Only Add Optional Color Mod Code to End of Any Type 1 Material Product

Mod Code	Color	Similar to (Reference)	Mod Code	Color	Similar to (Reference)
632 B	Blue	PANTONE 3005U	632 R	Red	PANTONE 1797U
632 E	Grey	FED-STD-595; #36270	632 T	Tan	FED-STD-595; #33446
632 G	Green	PANTONE 355U	632 W	White	FED-STD-595; #37875
632 P	Purple	FED-STD-595; #37100	632 Y	Yellow	PANTONE YELLOW U
632 O	Orange	FED-STD-595; #32300	Standard	Black	FED-STD-595; #37038

Dimensions in inches (millimeters) and are subject to change without notice.



770-001B2 and 770-003B2  
Type 2 Low Smoke Zero Halogen  
45° Angle Lipped Adapter Shrink Boots



Lipped 90°

**Type 2 Low Smoke Zero Halogen (LSZH) For Regulated Environmental Safety Applications**



Halogen-free polyolefin boots meet low smoke and toxicity requirements of shipboard, transit and aircraft systems. These Low Smoke/Zero Halogen (LSZH) boots fit most standard shrink boot adapters, including M85049 types along with Glenair Series 31 and Series 44 adapters. Oxygen index greater than 30%, smoke index less than 20, and toxicity index under 3 per 100 grams. Material meets requirements of NAVSEA 5617649, VG95343 Part 29, BSG 198-5-DF, EN62329-101 and SAE AS5258 Type G. Good resistance to oils, fuels and solvents. Available with epoxy or hot melt adhesive lining, these 45° boots aid in efficient routing of wire harnesses and cables and provide strain relief and environmental protection to connector/cable transitions. Temperature rating -30° to +135° C. Black color.

- **Low Smoke, Zero Halogen**
- **Meets U.S. and E.U. toxicity requirements.**
- **-30° C to +135° C**

Boot Size	Part Number with Eyelet				Part Number without Eyelet			
	No Adhesive Lining	Pre-Coated with W1 Hi-Temp Hot-Melt Adhesive	Pre-Coated with W2 Standard Hot-Melt Adhesive	Pre-Coated with R Epoxy Adhesive	No Adhesive Lining	Pre-Coated with W1 Hi-Temp Hot-Melt Adhesive	Pre-Coated with W2 Standard Hot-Melt Adhesive	Pre-Coated with R Epoxy Adhesive
03	770-001B203	770-001B203W1	770-001B203W2	770-001B203R	770-003B203	770-003B203W1	770-003B203W2	770-003B203R
04	770-001B204	770-001B204W1	770-001B204W2	770-001B204R	770-003B204	770-003B204W1	770-003B204W2	770-003B204R
05	770-001B205	770-001B205W1	770-001B205W2	770-001B205R	770-003B205	770-003B205W1	770-003B205W2	770-003B205R
06	770-001B206	770-001B206W1	770-001B206W2	770-001B206R	770-003B206	770-003B206W1	770-003B206W2	770-003B206R
07	770-001B207	770-001B207W1	770-001B207W2	770-001B207R	770-003B207	770-003B207W1	770-003B207W2	770-003B207R

Add "-DH" to the end of any part number for drain holes. Add "-PP" to the end of any part number for potting ports.

770-001B3 and 770-003B3 Type 3 Flexible Polyolefin  
45° Angle Lipped Adapter Shrink Boots

**Type 3 Flexible Polyolefin For General Duty Applications**



Economical flexible lipped polyolefin boots for attachment to connector adapters. These self-extinguishing boots meet the requirements of SAE AS81765/1 Type II. Good resistance to oils and fuels. Available with optional hot melt adhesive lining, these 45° boots aid in efficient routing of wire harnesses and cables and provide strain relief and environmental protection to connector/cable transitions, and are ideally suited for heat-sensitive cables due to the material's low heat shrink temperature of +100° C. Temperature rating -55° to +135° C. Black color.

- **General purpose harnessing**
- **Economical, flexible**
- **-55° C to +135° C**

Boot Size	Part Number with Eyelet		Part Number without Eyelet	
	No Adhesive Lining	Pre-Coated with W2 Standard Hot-Melt Adhesive	No Adhesive Lining	Pre-Coated with W2 Standard Hot-Melt Adhesive
03	770-001B303	770-001B303W2	770-003B303	770-003B303W2
04	770-001B304	770-001B304W2	770-003B304	770-003B304W2
05	770-001B305	770-001B305W2	770-003B305	770-003B305W2
06	770-001B306	770-001B306W2	770-003B306	770-003B306W2
07	770-001B307	770-001B307W2	770-003B307	770-003B307W2

Add "-DH" to the end of any part number for drain holes. Add "-PP" to the end of any part number for potting ports.

Dimensions in inches (millimeters) and are subject to change without notice.

SERIES 77

# FULL NELSON

STRAIGHT PROFILE LIPLESS SHRINK BOOTS



**S**traight lipless boots for attachment directly to standard military circular connectors. Choose Type 1 high performance elastomer for extreme temperatures, color options and excellent resistance to fuels and oils, Type 2 non-halogenated flame-retardant polyolefin for use where limited fire hazard is required, or choose Type 3 general purpose polyolefin for use where occasional exposure to heat and chemicals may occur.



# Series 77 Shrink Boots Straight Lipless Boots General Information



## Lipless Straight Shrink Boots

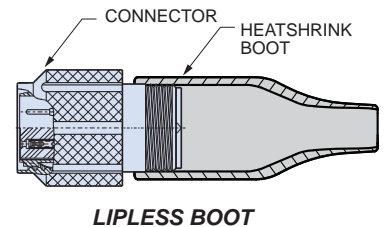


Straight lipless boots for attachment directly to standard military circular connectors. Choose Type 1 high performance elastomer for extreme temperatures and excellent resistance to fuels and oils, Type 2 non-halogenated flame-retardant polyolefin for use where limited fire hazard is required, or choose Type 3 general purpose polyolefin for use where occasional exposure to heat and chemicals may occur.

- Direct attachment to standard circular connectors
- Three material options
- Three adhesive options
- Optional potting ports
- Non-adhesive lined boots (For use with Type U two-part epoxy):

**Table 1: Boot Size Selection Guide**

Boot Size	Connector Diameter				Min. Cable Diameter	
	Inches		Millimeters		In.	mm.
	Min	Max	Min	Max		
00	.250	.325	6.35	8.26	.110	2.79
01	.300	.425	7.62	10.80	.150	3.81
02	.350	.600	8.89	15.24	.175	4.45
03	.450	.850	11.43	21.59	.225	5.72
04	.600	1.000	15.24	25.40	.275	6.99
05	.750	1.200	19.05	30.48	.300	7.62
06	.900	1.350	22.86	34.29	.375	9.53
07	1.250	1.650	31.75	41.91	.425	10.80
08	1.400	2.250	35.56	57.15	.625	15.88
09	1.800	2.500	45.70	63.50	.800	20.30
10	2.370	3.200	60.20	81.30	1.120	28.50



Part Number
<b>779-001</b>



Part Number
<b>779-002</b>



Part Number	Package Size
<b>779-003</b>	12

**Table 2: Material Selection Guide**

Attribute	Type 1 High Performance Semi-Rigid Elastomer	Type 2 Zero Halogen Semi-Rigid Polyolefin	Type 3 General Purpose Flexible Polyolefin
Continuous Operating Temperature	-75 ° to +150 °C	-30 ° to +135 °C	-55 ° to +135 °C
Resistance to Fuels, Oils, and Fluids	Excellent	Very Good	Good
Flammability	Self-Extinguishing <15 Sec.	Self-Extinguishing <15 Sec.	Self-Extinguishing <120 Sec.
Low Temperature Flexibility	-70 °C	-30 °C	-55 °C
Low Toxicity, Zero Halogen	No	Yes	No

**Table 3: Pre-Coated Boots Adhesive Information**

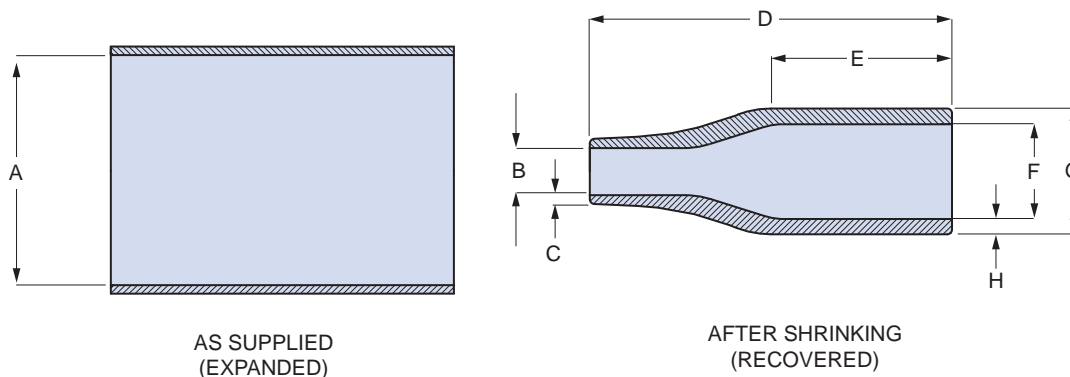
Attribute	W1 High Temperature Hot Melt Adhesive	W2 Standard Hot Melt Adhesive	R High Performance Epoxy Adhesive
Boot Material Compatibility	Types 1, 2 and 3	Types 1, 2 and 3	Type 1
Continuous Operating Temp.	-55 ° to +105 °C	-40 ° to +80 °C	-75 ° to +150 °C
Resistance to Fuels, Oils, and Fluids	Good	Good	Excellent
Low Toxicity, Zero Halogen	Yes	Yes	Yes

Dimensions in inches (millimeters) and are subject to change without notice.

CAGE Code 06324

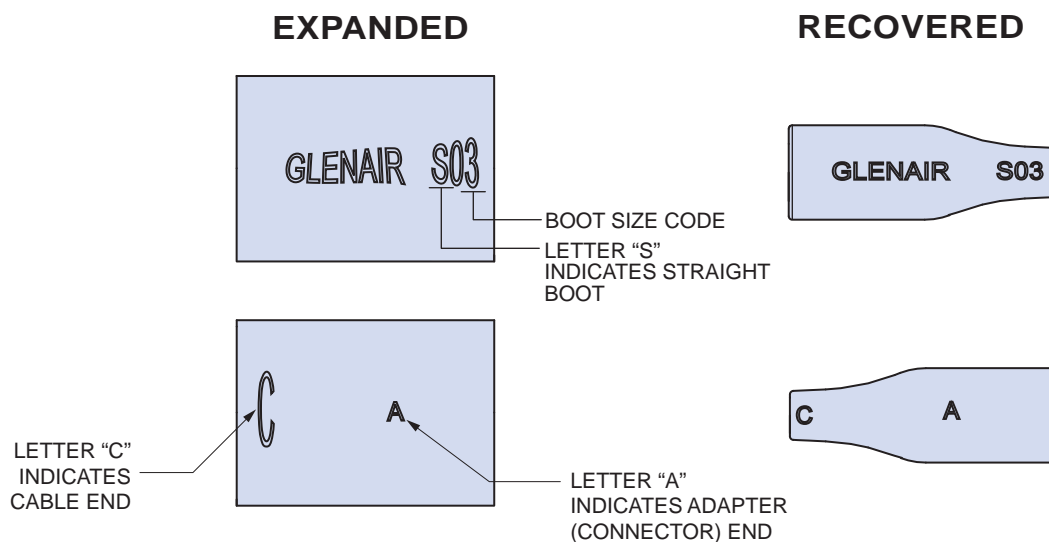
Printed in U.S.A.

## Lipless Straight Shrink Boots: Dimensions



Boot Size	A Min.		B Max.		C $\pm 20\%$		D $\pm 10\%$		E Ref.		F Max.		G Ref.		H $\pm 30\%$	
	In.	mm.	In.	mm.	In.	mm.	In.	mm.	In.	mm.	In.	mm.	In.	mm.	In.	mm.
00	.354	9.0	.079	2.0	.028	0.7	.984	25.0	.551	14.0	.217	5.5	.295	7.5	.039	1.0
01	.472	12.0	.118	3.0	.028	0.7	.984	25.0	.551	14.0	.276	7.0	.362	9.2	.043	1.1
02	.669	17.0	.138	3.5	.028	0.7	1.181	30.0	.728	18.5	.276	7.0	.378	9.6	.051	1.3
03	.945	24.0	.197	5.0	.035	0.9	1.496	38.0	.748	19.0	.413	10.5	.520	13.2	.063	1.6
04	1.181	30.0	.236	6.0	.039	1.0	2.165	55.0	1.181	30.0	.551	14.0	.693	17.6	.071	1.8
05	1.260	32.0	.276	7.0	.047	1.2	2.638	67.0	1.299	33.0	.709	18.0	.850	21.6	.071	1.8
06	1.417	36.0	.335	8.5	.047	1.2	3.150	80.0	1.575	40.0	.866	22.0	.945	24.0	.079	2.0
07	1.693	43.0	.394	10.0	.051	1.3	3.898	99.0	2.165	55.0	1.102	28.0	1.276	32.4	.087	2.2
08	2.362	60.0	.591	15.0	.063	1.6	5.118	130.0	1.969	50.0	1.378	35.0	1.638	41.6	.130	3.3
09	2.600	66.0	.770	19.6	.080	2.0	6.350	161.3	3.550	90.2	1.720	43.7	2.020	51.3	.150	3.8
10	3.400	86.4	1.060	26.9	.085	2.2	8.370	212.6	4.450	113.0	2.250	57.2	2.570	65.3	.160	4.1

## Lipless Straight Boots: Part Marking, Raised Lettering



Dimensions in inches (millimeters) and are subject to change without notice.

# 770-005S1 Type 1 High Performance Elastomer Straight Lipless Shrink Boots



## Type 1 High-Performance Elastomer Boots For Advanced Temperature And Chemical Tolerance



Semi-rigid high performance boots combine excellent resistance to fuels, oils and solvents with superior performance at extreme temperatures. Rated for 3000 hours continuous operation at +150° C, these boots fit standard circular connectors. Material meets the requirements of VG95343 Type 6, BSG 198-5-DE, EN62329-102 and SAE AS5258 Type H. These boots are recommended for demanding applications such as military vehicles and petrochemical exploration. Boots come standard in black, see table below for optional colors.

- -75° C to +150° C
- Excellent resistance to fuels, oils, solvents and heat.
- Ten available colors

Boot Size	Part Number			
	No Adhesive Lining	Pre-Coated with W1 Hi-Temp Hot-Melt Adhesive	Pre-Coated with W2 Standard Hot-Melt Adhesive	Pre-Coated with R Epoxy Adhesive
00	770-005S100	770-005S100W1	770-005S100W2	770-005S100R
01	770-005S101	770-005S101W1	770-005S101W2	770-005S101R
02	770-005S102	770-005S102W1	770-005S102W2	770-005S102R
03	770-005S103	770-005S103W1	770-005S103W2	770-005S103R
04	770-005S104	770-005S104W1	770-005S104W2	770-005S104R
05	770-005S105	770-005S105W1	770-005S105W2	770-005S105R
06	770-005S106	770-005S106W1	770-005S106W2	770-005S106R
07	770-005S107	770-005S107W1	770-005S107W2	770-005S107R
08	770-005S108	770-005S108W1	770-005S108W2	770-005S108R
09	770-005S109	770-005S109W1	770-005S109W2	770-005S109R
10	770-005S110	770-005S110W1	770-005S110W2	770-005S110R

Add "-PP" to the end of any part number for potting ports.

### Material Color Options for Type 1 High Performance Elastomer Only Add Optional Color Mod Code to End of Any Type 1 Material Product

Mod Code	Color	Similar to (Reference)	Mod Code	Color	Similar to (Reference)
632 B	Blue	PANTONE 3005U	632 R	Red	PANTONE 1797U
632 E	Grey	FED-STD-595; #36270	632 T	Tan	FED-STD-595; #33446
632 G	Green	PANTONE 355U	632 W	White	FED-STD-595; #37875
632 P	Purple	FED-STD-595; #37100	632 Y	Yellow	PANTONE YELLOW U
632 O	Orange	FED-STD-595; #32300	Standard	Black	FED-STD-595; #37038

Dimensions in inches (millimeters) and are subject to change without notice.



## 770-005S2 Type 2 Low Smoke Zero Halogen Straight Lipless Boots

### Type 2 Low Smoke Zero Halogen (LSZH) For Regulated Environmental Safety Applications



Halogen-free polyolefin boots meet low smoke and toxicity requirements of shipboard, transit and aircraft systems. Oxygen index greater than 30%, smoke index less than 20, and toxicity index under 3 per 100 grams. Material meets requirements of NAVSEA 5617649, VG95343 Part 29, BSG 198-5-DF, EN62329-101 and SAE AS5258 Type G. Good resistance to oils, fuels and solvents. Available with high temperature hot melt adhesive lining, these boots provide strain relief and environmental protection to connector/cable transitions. Temperature rating -30° to +135° C. Black color.

- *Low Smoke, Zero Halogen*
- *Meets U.S. and E.U. toxicity requirements.*
- *-30° C to +135° C*

D

Boot Size	Part Number			
	No Adhesive Lining	Pre-Coated with W1 Hi-Temp Hot-Melt Adhesive	Pre-Coated with W2 Standard Hot-Melt Adhesive	Pre-Coated with R Epoxy Adhesive
00	<a href="#">770-005S200</a>	<a href="#">770-005S200W1</a>	<a href="#">770-005S200W2</a>	<a href="#">770-005S200R</a>
01	<a href="#">770-005S201</a>	<a href="#">770-005S201W1</a>	<a href="#">770-005S201W2</a>	<a href="#">770-005S201R</a>
02	<a href="#">770-005S202</a>	<a href="#">770-005S202W1</a>	<a href="#">770-005S202W2</a>	<a href="#">770-005S202R</a>
03	<a href="#">770-005S203</a>	<a href="#">770-005S203W1</a>	<a href="#">770-005S203W2</a>	<a href="#">770-005S203R</a>
04	<a href="#">770-005S204</a>	<a href="#">770-005S204W1</a>	<a href="#">770-005S204W2</a>	<a href="#">770-005S204R</a>
05	<a href="#">770-005S205</a>	<a href="#">770-005S205W1</a>	<a href="#">770-005S205W2</a>	<a href="#">770-005S205R</a>
06	<a href="#">770-005S206</a>	<a href="#">770-005S206W1</a>	<a href="#">770-005S206W2</a>	<a href="#">770-005S206R</a>
07	<a href="#">770-005S207</a>	<a href="#">770-005S207W1</a>	<a href="#">770-005S207W2</a>	<a href="#">770-005S207R</a>
08	<a href="#">770-005S208</a>	<a href="#">770-005S208W1</a>	<a href="#">770-005S208W2</a>	<a href="#">770-005S208R</a>
09	<a href="#">770-005S209</a>	<a href="#">770-005S209W1</a>	<a href="#">770-005S209W2</a>	<a href="#">770-005S209R</a>
10	<a href="#">770-005S210</a>	<a href="#">770-005S210W1</a>	<a href="#">770-005S210W2</a>	<a href="#">770-005S210R</a>

Add "-PP" to the end of any part number for potting ports.

Dimensions in inches (millimeters) and are subject to change without notice.

© 2011 Glenair, Inc.

CAGE Code 06324

Printed in U.S.A.

**GLENAIR, INC. • 1211 AIR WAY • GLENDALE, CA 91201-2497 • 818-247-6000 • FAX 818-500-9912**

www.glenair.com

**D-4**

E-Mail: sales@glenair.com

**770-005S3**  
**Type 3 Flexible Polyolefin**  
**Straight Lipless Boots**



Type 3 Flexible Polyolefin For General Duty Applications



Economical flexible polyolefin boots with no lip, for direct attachment to connectors. These self-extinguishing boots meet the requirements of SAE AS81765/1 Type II. Good resistance to oils and fuels. Available with optional hot melt adhesive lining, these boots provide strain relief and environmental protection to connector/cable transitions, and are ideally suited for heat-sensitive cables due to the material's low heat shrink temperature of +100° C. Temperature rating -55° to +135° C. Black color.

- *General purpose harnessing*
- *Economical, flexible*
- *-55° C to +135° C*

Boot Size	Part Number	
	No Adhesive Lining	Pre-Coated with W2 Standard Hot-Melt Adhesive
00	<a href="#">770-005S300</a>	<a href="#">770-005S300W2</a>
01	<a href="#">770-005S301</a>	<a href="#">770-005S301W2</a>
02	<a href="#">770-005S302</a>	<a href="#">770-005S302W2</a>
03	<a href="#">770-005S303</a>	<a href="#">770-005S303W2</a>
04	<a href="#">770-005S304</a>	<a href="#">770-005S304W2</a>
05	<a href="#">770-005S305</a>	<a href="#">770-005S305W2</a>
06	<a href="#">770-005S306</a>	<a href="#">770-005S306W2</a>
07	<a href="#">770-005S307</a>	<a href="#">770-005S307W2</a>
08	<a href="#">770-005S308</a>	<a href="#">770-005S308W2</a>
09	<a href="#">770-005S309</a>	<a href="#">770-005S309W2</a>
10	<a href="#">770-005S310</a>	<a href="#">770-005S310W2</a>

Add **"-PP"** to the end of any part number for potting ports.



SERIES 77

# FULL NELSON

RIGHT ANGLE 90° PROFILE LIPLESS SHRINK BOOTS



Right angle lipless boots for attachment directly to standard circular connectors. 90° angled configuration aids in efficient routing of wire harnesses and cables. Choose Type 1 high performance elastomer for extreme temperatures and excellent resistance to fuels and oils, Type 2 non-halogenated flame-retardant polyolefin for use where limited fire hazard is required, or choose Type 3 general purpose polyolefin for use where occasional exposure to heat and chemicals may occur.





Series 77 Shrink Boots  
Right Angle Lipless Shrink Boots  
General Information



90° Right Angle Shrink Boots, Lipless

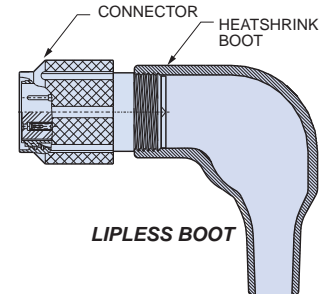


Right angle lipless boots for attachment directly to standard circular connectors. 90° angled configuration aids in efficient routing of wire harnesses and cables. Choose Type 1 high performance elastomer for extreme temperatures and excellent resistance to fuels and oils, Type 2 non-halogenated flame-retardant polyolefin for use where limited fire hazard is required, or choose Type 3 general purpose polyolefin for use where occasional exposure to heat and chemicals may occur.

- Attach directly to standard circular connectors
- Three material options
- Three adhesive options
- Optional potting ports
- Non-adhesive lined boots (For use with Type U two-part epoxy):

Table 1: Boot Size Selection Guide

Boot Size	Connector Diameter				Min. Cable Diameter	
	Inches		Millimeters		In.	mm.
	Min	Max	Min	Max		
00	.250	.325	6.35	8.26	.110	2.79
02	.350	.625	8.89	15.88	.175	4.45
03	.450	.850	11.43	21.59	.225	5.72
04	.575	1.000	14.61	25.40	.250	6.35
05	.750	1.200	19.05	30.48	.300	7.62
06	.950	1.350	24.13	34.29	.375	9.53
07	1.150	1.600	29.21	40.64	.425	10.80
08	1.600	2.000	40.60	50.80	.650	16.50



Part Number
<b>779-001</b>



Part Number
<b>779-002</b>



Part Number	Package Size
<b>779-003</b>	12

Table 2: Material Selection Guide

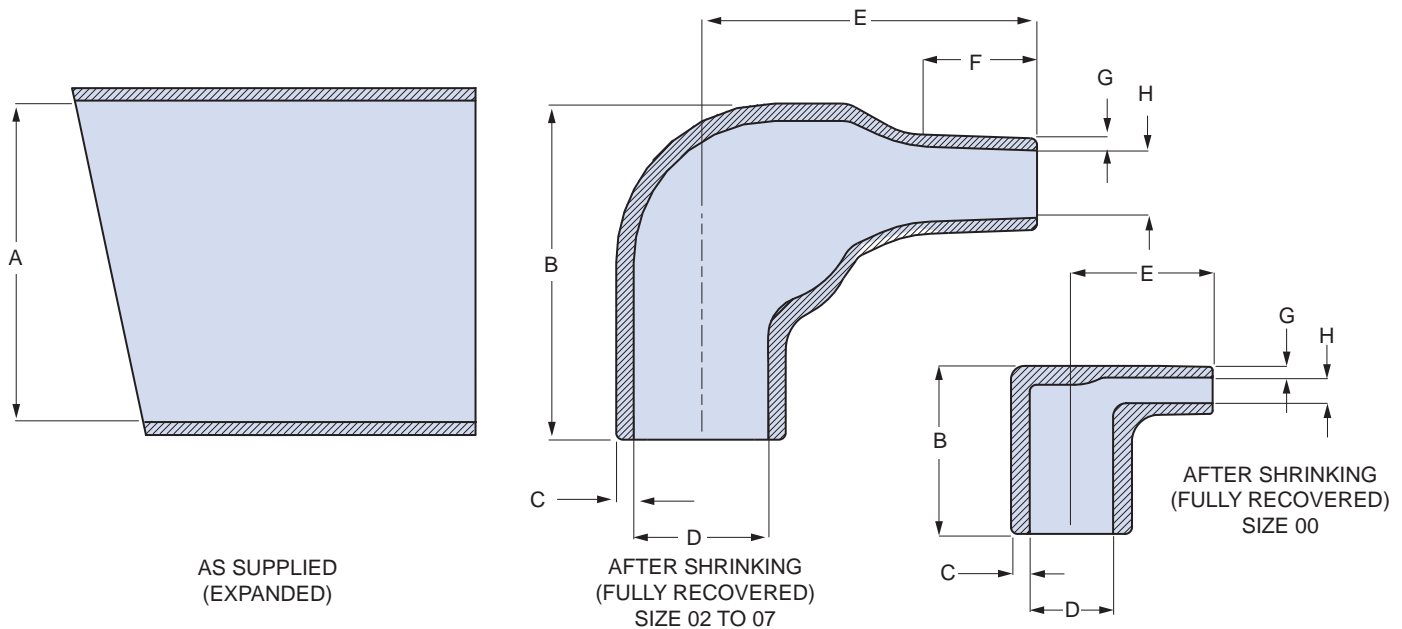
Attribute	Type 1 High Performance Semi-Rigid Elastomer	Type 2 Zero Halogen Semi-Rigid Polyolefin	Type 3 General Purpose Flexible Polyolefin
Continuous Operating Temperature	-75° to +150 °C	-30° to +135 °C	-55° to +135 °C
Resistance to Fuels, Oils, and Fluids	Excellent	Very Good	Good
Flammability	Self-Extinguishing <15 Sec.	Self-Extinguishing <15 Sec.	Self-Extinguishing <120 Sec.
Low Temperature Flexibility	-70 °C	-30 °C	-55 °C
Low Toxicity, Zero Halogen	No	Yes	No

Table 3: Pre-Coated Boots Adhesive Information

Attribute	W1 High Temperature Hot Melt Adhesive	W2 Standard Hot Melt Adhesive	R High Performance Epoxy Adhesive
Boot Material Compatibility	Types 1, 2 and 3	Types 1, 2 and 3	Type 1
Continuous Operating Temp.	-55° to +105 °C	-40° to +80 °C	-75° to +150 °C
Resistance to Fuels, Oils, and Fluids	Good	Good	Excellent
Low Toxicity, Zero Halogen	Yes	Yes	Yes

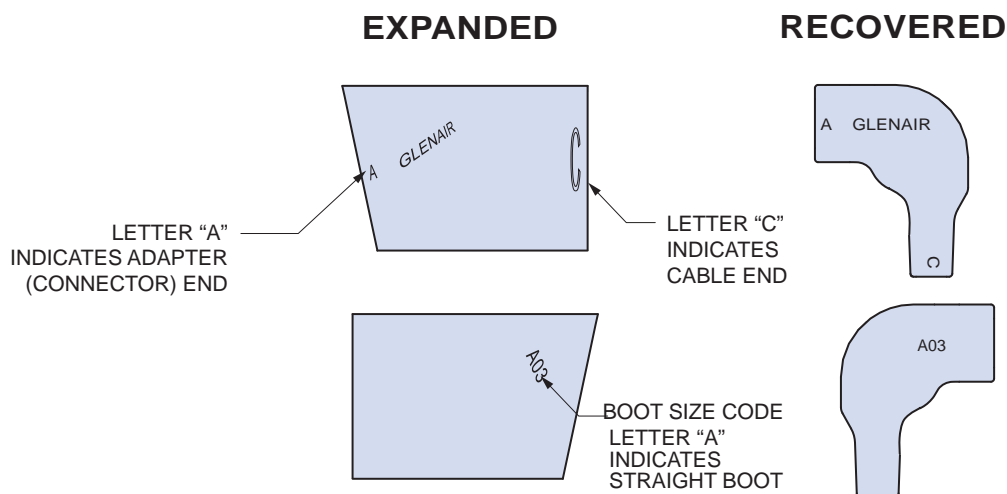
Dimensions in inches (millimeters) and are subject to change without notice.

## Lipless Right Angle Shrink Boots: Dimensions



Boot Size	A Min.		B Ref.		C ±30%		D Max.		E ±20%		F Ref.		G ±20%		H Max.	
	In.	mm.	In.	mm.	In.	mm.	In.	mm.	In.	mm.	In.	mm.	In.	mm.	In.	mm.
00	.354	9.0	.492	12.5	.039	1.0	.236	6.0	.413	10.5	NA	NA	.028	0.7	.079	2.0
02	.669	17.0	.787	20.0	.051	1.3	.315	8.0	.787	20.0	.276	7.0	.028	0.7	.138	3.5
03	.945	24.0	.984	25.0	.063	1.6	.394	10.0	.984	25.0	.394	10.0	.035	0.9	.197	5.0
04	1.181	30.0	1.063	27.0	.071	1.8	.532	13.5	1.260	32.0	.472	12.0	.039	1.0	.217	5.5
05	1.260	32.0	1.260	32.0	.071	1.8	.709	18.0	1.535	39.0	.591	15.0	.047	1.2	.276	7.0
06	1.417	36.0	1.496	38.0	.079	2.0	.886	22.5	1.929	49.0	.630	16.0	.047	1.2	.335	8.5
07	1.693	43.0	1.850	47.0	.087	2.2	1.102	28.0	2.165	55.0	.709	18.0	.059	1.5	.394	10.0
08	2.050	52.0	3.150	80.0	.130	3.3	1.380	35.1	3.150	80.0	1.260	32.0	.060	1.5	1.380	35.1

## Lipless Right Angle Boots: Part Marking, Raised Lettering



Dimensions in inches (millimeters) and are subject to change without notice.

**770-005A1**  
**Type 1 High-Performance Elastomer**  
**90° Right Angle Lipless Shrink Boots**



Lipless 90°

**Type 1 High-Performance Elastomer Boots For Advanced Temperature And Chemical Tolerance**



Semi-rigid high performance boots combine excellent resistance to fuels, oils and solvents with superior performance at extreme temperatures. Rated for 3000 hours continuous operation at +150° C. Material meets the requirements of VG95343 Type 6, BSG 198-5-DE, EN62329-102 and SAE AS5258 Type H. 90° angled configuration aids in efficient routing of wire harnesses and cables. These boots are recommended for demanding applications such as military vehicles and petrochemical exploration. Boots come standard in black, see table below for optional colors.

- **-75° C to +150° C**
- **Excellent resistance to fuels, oils, solvents and heat.**
- **Ten available colors**

Boot Size	Part Number			
	No Adhesive Lining	Pre-Coated with W1 Hi-Temp Hot-Melt Adhesive	Pre-Coated with W2 Standard Hot-Melt Adhesive	Pre-Coated with R Epoxy Adhesive
00	<a href="#">770-005A100</a>	<a href="#">770-005A100W1</a>	<a href="#">770-005A100W2</a>	<a href="#">770-005A100R</a>
02	<a href="#">770-005A102</a>	<a href="#">770-005A102W1</a>	<a href="#">770-005A102W2</a>	<a href="#">770-005A102R</a>
03	<a href="#">770-005A103</a>	<a href="#">770-005A103W1</a>	<a href="#">770-005A103W2</a>	<a href="#">770-005A103R</a>
04	<a href="#">770-005A104</a>	<a href="#">770-005A104W1</a>	<a href="#">770-005A104W2</a>	<a href="#">770-005A104R</a>
05	<a href="#">770-005A105</a>	<a href="#">770-005A105W1</a>	<a href="#">770-005A105W2</a>	<a href="#">770-005A105R</a>
06	<a href="#">770-005A106</a>	<a href="#">770-005A106W1</a>	<a href="#">770-005A106W2</a>	<a href="#">770-005A106R</a>
07	<a href="#">770-005A107</a>	<a href="#">770-005A107W1</a>	<a href="#">770-005A107W2</a>	<a href="#">770-005A107R</a>
08	<a href="#">770-005A108</a>	<a href="#">770-005A108W1</a>	<a href="#">770-005A108W2</a>	<a href="#">770-005A108R</a>

Add "**-PP**" to the end of any part number for potting ports.

**Material Color Options for Type 1 High Performance Elastomer Only**  
**Add Optional Color Mod Code to End of Any Type 1 Material Product**

Mod Code	Color	Similar to (Reference)	Mod Code	Color	Similar to (Reference)
632 B	Blue	PANTONE 3005U	632 R	Red	PANTONE 1797U
632 E	Grey	FED-STD-595; #36270	632 T	Tan	FED-STD-595; #33446
632 G	Green	PANTONE 355U	632 W	White	FED-STD-595; #37875
632 P	Purple	FED-STD-595; #37100	632 Y	Yellow	PANTONE YELLOW U
632 O	Orange	FED-STD-595; #32300	Standard	Black	FED-STD-595; #37038

Dimensions in inches (millimeters) and are subject to change without notice.

E



## 770-005A2 Type 2 Low Smoke Zero Halogen 90° Right Angle Lipless Shrink Boots

### Type 2 Low Smoke Zero Halogen (LSZH) For Regulated Environmental Safety Applications



- **Low Smoke, Zero Halogen**
- **Meets U.S. and E.U. toxicity requirements.**
- **-30° C to +135° C**

Halogen-free polyolefin boots meet low smoke and toxicity requirements of shipboard, transit and aircraft systems. Oxygen index greater than 30%, smoke index less than 20, and toxicity index under 3 per 100 grams. Material meets requirements of NAVSEA 5617649, VG95343 Part 29, BSG 198-5-DF, EN62329-101 and SAE AS5258 Type G. Good resistance to oils, fuels and solvents. Available with high temperature hot melt adhesive lining, these boots provide strain relief and environmental protection to connector/cable transitions. 90° angled configuration aids in efficient routing of wire harnesses and cables. Temperature rating -30° to +135° C. Black color.

Boot Size	Part Number			
	No Adhesive Lining	Pre-Coated with W1 Hi-Temp Hot-Melt Adhesive	Pre-Coated with W2 Standard Hot-Melt Adhesive	Pre-Coated with R Epoxy Adhesive
00	<a href="#">770-005A200</a>	<a href="#">770-005A200W1</a>	<a href="#">770-005A200W2</a>	<a href="#">770-005A200R</a>
02	<a href="#">770-005A202</a>	<a href="#">770-005A202W1</a>	<a href="#">770-005A202W2</a>	<a href="#">770-005A202R</a>
03	<a href="#">770-005A203</a>	<a href="#">770-005A203W1</a>	<a href="#">770-005A203W2</a>	<a href="#">770-005A203R</a>
04	<a href="#">770-005A204</a>	<a href="#">770-005A204W1</a>	<a href="#">770-005A204W2</a>	<a href="#">770-005A204R</a>
05	<a href="#">770-005A205</a>	<a href="#">770-005A205W1</a>	<a href="#">770-005A205W2</a>	<a href="#">770-005A205R</a>
06	<a href="#">770-005A206</a>	<a href="#">770-005A206W1</a>	<a href="#">770-005A206W2</a>	<a href="#">770-005A206R</a>
07	<a href="#">770-005A207</a>	<a href="#">770-005A207W1</a>	<a href="#">770-005A207W2</a>	<a href="#">770-005A207R</a>
08	<a href="#">770-005A208</a>	<a href="#">770-005A208W1</a>	<a href="#">770-005A208W2</a>	<a href="#">770-005A208R</a>

Add "-PP" to the end of any part number for potting ports.

**770-005A3**  
**Type 3 Flexible Polyolefin**  
**90° Right Angle Lipless Shrink Boots**



Type 3 Flexible Polyolefin For General Duty Applications



Economical flexible polyolefin boots with no lip, for direct attachment to connectors. These self-extinguishing boots meet the requirements of SAE AS81765/1 Type II. Good resistance to oils and fuels. Available with optional hot melt adhesive lining, these boots provide strain relief and environmental protection to connector/cable transitions. 90° angled configuration aids in efficient routing of wire harnesses and cables, and are ideally suited for heat-sensitive cables due to the material's low heat shrink temperature of +100° C. Temperature rating -55° to +135° C. Black color.

- *General purpose harnessing*
- *Economical, flexible*
- *-55° C to +135° C*

Boot Size	Part Number	
	No Adhesive Lining	Pre-Coated with W2 Standard Hot-Melt Adhesive
00	<a href="#">770-005A300</a>	<a href="#">770-005A300W2</a>
02	<a href="#">770-005A302</a>	<a href="#">770-005A302W2</a>
03	<a href="#">770-005A303</a>	<a href="#">770-005A303W2</a>
04	<a href="#">770-005A304</a>	<a href="#">770-005A304W2</a>
05	<a href="#">770-005A305</a>	<a href="#">770-005A305W2</a>
06	<a href="#">770-005A306</a>	<a href="#">770-005A306W2</a>
07	<a href="#">770-005A307</a>	<a href="#">770-005A307W2</a>
08	<a href="#">770-005A308</a>	<a href="#">770-005A308W2</a>

Add "-PP" to the end of any part number for potting ports.

SERIES 77

# FULL NELSON

HIGH PERFORMANCE FLEXIBLE CONVOLUTED BOOTS



**G**lenair convoluted boots are designed to provide abrasion protection for connectors. Their flexible design allows a variety of cable outlet angles. Compressing the convoluted boot allows access to spin-coupling adapters without reheating the boot. Convoluted boots provide environmental sealing when used with adhesive. Choose Type 5 Viton blend for extreme temperatures and excellent resistance to fuels and oils, and highest tensile strength and elongation. Choose Type 6 high performance elastomer alloy for excellent fuel and oil resistance, and extreme temperature range. Choose Type 7 flexible polyolefin for use where occasional exposure to heat and chemicals may occur. Convoluted boots are suitable for use in aerospace, industrial, medical, shipboard, military vehicle, and rail applications.

*Glenair*<sup>®</sup>

# Series 77 Shrink Boots Convuluted Boots General Information



## Flexible Convuluted Boots



- *Flexible convuluted design*
- *Three material options*
- *Three adhesive options*
- *No adhesive lining version for users of Type U two-part epoxy:*

Glenair convuluted boots are designed to provide abrasion protection for connectors. Their flexible design allows a variety of cable outlet angles. Compressing the convuluted boot allows access to spin-coupling adapters without reheating the boot. Convuluted boots provide environmental sealing when used with adhesive. Choose Type 5 Viton blend for extreme temperatures and excellent resistance to fuels and oils, and highest tensile strength and elongation. Choose Type 6 high performance elastomer alloy for excellent fuel and oil resistance, and extreme temperature range. Choose Type 7 flexible polyolefin for use where occasional exposure to heat and chemicals may occur. Convuluted boots are suitable for use in aerospace, industrial, medical, shipboard, military vehicle, and rail applications.



Part Number
<b>779-001</b>



Part Number
<b>779-002</b>



Part Number	Package Size
<b>779-003</b>	12

### Shrink Boot Typical Material Properties

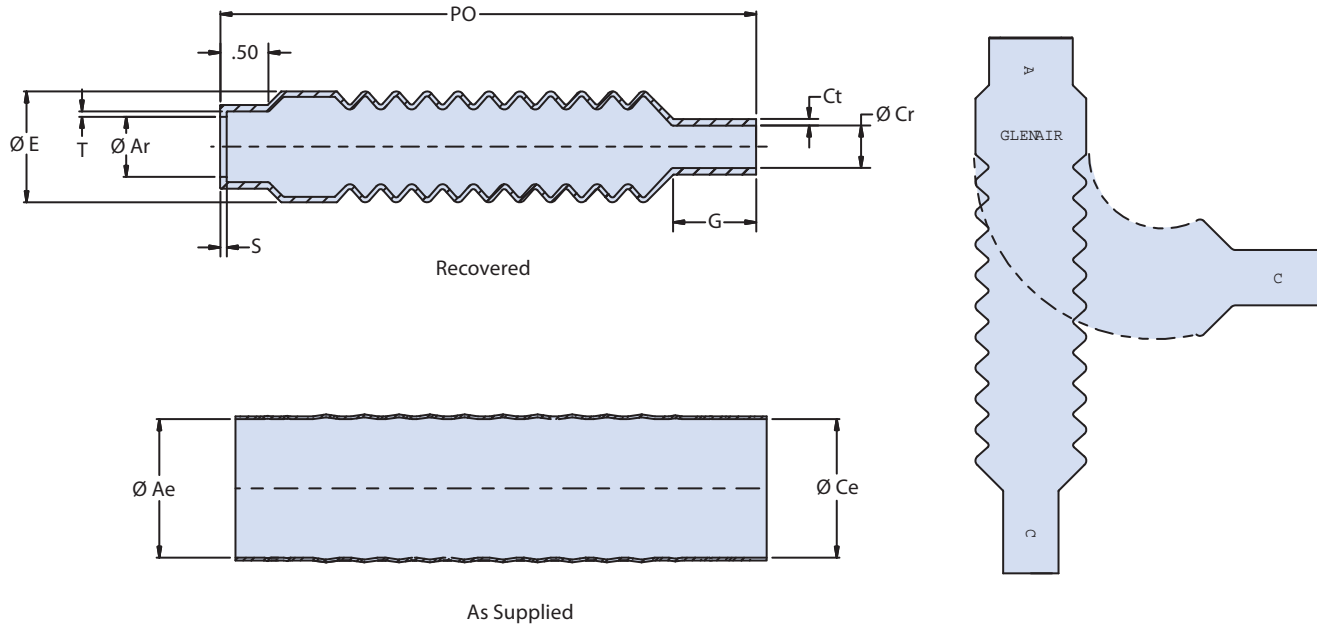
Property	Type 5 Viton Fluoroelastomer Blend	Type 6 High Performance Elastomer Alloy	Type 7 Flexible Polyolefin
Flexibility	Flexible	Flexible	Highly Flexible
Operating Temperature Range	-55°C to +150°C	-55°C to +135°C	-55°C to +135°C
Shrink Temperature (min.)	135°C	135°C	135°C
Tensile Strength (psi)	2200	1500	1400
Elongation (% min.)	400	300	250
Long Term Heat Aging			
Heat Shock	4 hrs, 225°C	4 hrs, 220°C	4 hrs, 250°C
Heat Aging	168 hrs, 150°C	168 hrs, 150°C	168 hrs, 175°C
Dielectric Strength (V/mil)	200	200	300
Volume Resistivity (ohms-cm)	10 <sup>10</sup>	10 <sup>10</sup>	10 <sup>12</sup>
Water Absorption (%)	0.5	0.5	0.5
Flammability	Burn Time <120 sec Burn Length <25mm	Burn Time <120 sec Burn Length <25mm	Burn Time <90 sec Burn Length <25mm
RoHS Compliant	Yes	Yes	Yes

### Shrink Boot Fluid Resistance

Fluid	Type 5 Viton Fluoroelastomer Blend	Type 6 High Performance Elastomer Alloy	Type 7 Flexible Polyolefin
Lubricating Oil	Excellent	Excellent	Good
Hydraulic Fluid	Excellent	Excellent	Good
Aviation Fuel	Excellent	Excellent	Fair
Gasoline	Excellent	Excellent	Good
De-Icing Fluid	Excellent	Excellent	Good
Automotive Diesel	Excellent	Excellent	Fair

Dimensions in inches (millimeters) and are subject to change without notice.

## Convuluted Shrink Boots: Dimensions



Size	Glenair US Part Marking	Ae Min. Dia.		Ar Max. Dia.		Ce Min. Dia.		Cr Max. Dia.		PO ±10%		E Max		G ±10%		S ±.010		T ±.010		Ct Min.	
		In.	mm.	In.	mm.	In.	mm.	In.	mm.	In.	mm.	In.	mm.	In.	mm.	In.	mm.	In.	mm.	In.	mm.
01	C01	.690	17.5	.272	6.9	.560	14.2	.189	4.8	4.750	120.7	.830	21.1	.690	17.5	.060	1.52	.050	1.27	.013	0.33
02	C02	1.040	26.4	.461	11.7	1.040	26.4	.319	8.1	5.250	133.4	1.050	26.7	.780	19.8	.060	1.52	.050	1.27	.018	0.46
03	C03	1.500	38.1	.689	17.5	1.500	38.1	.500	12.7	5.750	146.1	1.290	32.8	.880	22.4	.070	1.78	.050	1.27	.020	0.51
04	C04	1.880	47.8	.882	22.4	1.880	47.8	.689	17.5	6.250	158.8	1.490	37.8	1.000	25.4	.070	1.78	.050	1.27	.024	0.61
05	C05	2.160	54.9	1.098	27.9	2.160	54.9	.882	22.4	6.750	171.5	1.690	42.9	1.120	28.4	.070	1.78	.080	2.03	.024	0.61
06	C06	3.040	77.2	1.598	40.6	2.250	57.2	.902	22.9	9.300	236.2	2.450	62.2	1.380	35.1	.080	2.03	.080	2.03	.026	0.66

Dimensions in inches (millimeters) and are subject to change without notice.



# 770-022C5, 770-022C6 and 770-022C7 Type 5 Viton, Type 6 Elastomer and Type 7 Polyolefin Convolute Shrink Boots



## Type 5 Viton Fluoroelastomer Blend

- **Viton Material**
- **Extremely Flexible**
- **-55° C to +150° C**



A highly flexible, fluid and temperature resistant heat shrinkable compound formulated from a blend of Viton (Dupont®) fluoroelastomer and other polyester polymers. The material has an operating temperature range of -55°C to +150°C and is flame retardant. Type 5 compound is used in Glenair convoluted boots and low profile transitions, and meets the performance requirements of SCX1511 (US).

Boot Size	Part Number		
	No Adhesive Lining (for use with Type U two-part epoxy)	Pre-Coated with W1 Zero Halogen Hot-Melt Adhesive	Pre-Coated with R Epoxy Adhesive
01	<a href="#">770-022C501</a>	<a href="#">770-022C501W1</a>	<a href="#">770-022C501R</a>
02	<a href="#">770-022C502</a>	<a href="#">770-022C502W1</a>	<a href="#">770-022C502R</a>
03	<a href="#">770-022C503</a>	<a href="#">770-022C503W1</a>	<a href="#">770-022C503R</a>
04	<a href="#">770-022C504</a>	<a href="#">770-022C504W1</a>	<a href="#">770-022C504R</a>
05	<a href="#">770-022C505</a>	<a href="#">770-022C505W1</a>	<a href="#">770-022C505R</a>
06	<a href="#">770-022C506</a>	<a href="#">770-022C506W1</a>	<a href="#">770-022C506R</a>

## Type 6 High Performance Elastomer Alloy

- **Flexible, Fluid Resistant and Flame Retardant**
- **-55° C to +135° C**

A flexible, fluid resistant, heat shrinkable compound made from high performance elastomers. The material has an operating temperature range of -55°C to + 135°C and is flame retardant. Glenair Type 6 material meets the requirements of SCX1512 (US), and is used in convoluted boots and low profile transitions.

Boot Size	Part Number	
	No Adhesive Lining (for use with Type U two-part epoxy)	Pre-Coated with W1 Zero Halogen Hot-Melt Adhesive
01	<a href="#">770-022C601</a>	<a href="#">770-022C601W1</a>
02	<a href="#">770-022C602</a>	<a href="#">770-022C602W1</a>
03	<a href="#">770-022C603</a>	<a href="#">770-022C603W1</a>
04	<a href="#">770-022C604</a>	<a href="#">770-022C604W1</a>
05	<a href="#">770-022C605</a>	<a href="#">770-022C605W1</a>
06	<a href="#">770-022C606</a>	<a href="#">770-022C606W1</a>

## Type 7 Flexible Polyolefin

- **Flexible Polyolefin Material**
- **-55° C to +135° C**

A flexible heat shrink compound with excellent fluid and solvent resistance. Glenair Type 7 material has an operating temperature range of -55°C to + 135°C and is flame retardant. It has a wide range of applications in military and automotive markets, and is used on Glenair's standard and convoluted boots. The material meets the requirements of SAE-AS5258 material A and SAE-AS81765/1.

Boot Size	Part Number		
	No Adhesive Lining (for use with Type U two-part epoxy)	Pre-Coated with W1 Zero Halogen Hot-Melt Adhesive	Pre-Coated with W2 Low Temperature Adhesive
01	<a href="#">770-022C701</a>	<a href="#">770-022C701W1</a>	<a href="#">770-022C701W2</a>
02	<a href="#">770-022C702</a>	<a href="#">770-022C702W1</a>	<a href="#">770-022C702W2</a>
03	<a href="#">770-022C703</a>	<a href="#">770-022C703W1</a>	<a href="#">770-022C703W2</a>
04	<a href="#">770-022C704</a>	<a href="#">770-022C704W1</a>	<a href="#">770-022C704W2</a>
05	<a href="#">770-022C705</a>	<a href="#">770-022C705W1</a>	<a href="#">770-022C705W2</a>
06	<a href="#">770-022C706</a>	<a href="#">770-022C706W1</a>	<a href="#">770-022C706W2</a>

Dimensions in inches (millimeters) and are subject to change without notice.

**SERIES 77**

# FULL NELSON

HEAT SHRINKABLE MULTIBRANCH CABLE TRANSITIONS



**G**lenair Series 77 heat shrinkable transitions provide cable designers with complete flexibility and versatility in cable routing and harness design. Available in both low-profile as well as widebody versions (for larger cable diameters), these environmental transitions reduce cable assembly time and provide turnkey sealing and routing in multi-legged harnesses. Available in six material types, including Viton® for continuous exposure to caustic chemicals and fuels, as well as our popular Type 1 high-performance elastomer for extreme temperatures, excellent resistance to fuels and oils, and the option of choosing from ten available colors.



GLENAIR, INC. • 1211 AirWay • Glendale, CA 91201-2497 • Tel: 818-247-6000 • Email: sales@glenair.com • www.glenair.com

# Series 77 Heat Shrinkable Transitions

## General Information



### Heat Shrinkable Transitions



Low-Profile "Y"



Widebody "Y"



Low-Profile 1:3



Low-Profile "T"



Widebody "T"



Widebody 1:3



Widebody 1:4



"Y" and "T" Transitions  
for Every Cable Routing  
Requirement

- **Versatile Cable/Wire Routing**
- **Six Material Types**
- **Ten Colors Available in the Type 1 High Performance Elastomer Material**
- **Adhesive and Non-Adhesive Versions**

Material Color Options for Type 1 High Performance Elastomer Only  
Add Optional Color Mod Code to End of Any Type 1 Material Product

Mod Code	Color	Similar to (Reference)	Mod Code	Color	Similar to (Reference)
632 B	Blue	PANTONE 3005U	632 R	Red	PANTONE 1797U
632 E	Grey	FED-STD-595; #36270	632 T	Tan	FED-STD-595; #33446
632 G	Green	PANTONE 355U	632 W	White	FED-STD-595; #37875
632 P	Purple	FED-STD-595; #37100	632 Y	Yellow	PANTONE YELLOW U
632 O	Orange	FED-STD-595; #32300	Standard	Black	FED-STD-595; #37038

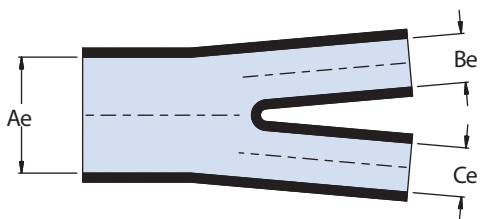
Dimensions in inches (millimeters) and are subject to change without notice.



## Series 77 Heat Shrinkable Low Profile "Y" Transitions Dimensions

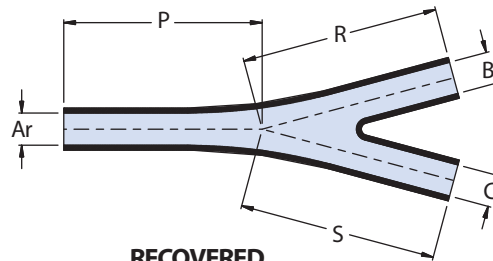
### Low Profile "Y" Cable Transition: Dimensions

Size	Glenair US Part Marking	Ae Min. Dia.		Be, Ce Min. Dia.		Ar, Br, Cr Max. Dia.		P ± 10%		R, S Ref.	
		In.	mm.	In.	mm.	In.	mm.	In.	mm.	In.	mm.
05	Y05	.780	19.8	.520	13.2	.260	6.6	1.600	40.6	1.600	40.6
06	Y06	1.350	34.3	.900	22.9	.450	11.4	2.480	63.0	2.480	63.0
07	Y07	2.370	60.2	1.580	40.1	.791	20.1	3.730	94.7	3.730	94.7
08	Y08	3.280	83.3	2.161	54.9	1.311	33.3	5.270	133.9	5.270	133.9



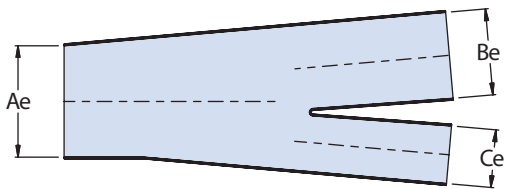
**EXPANDED**

SIZES  
05-08



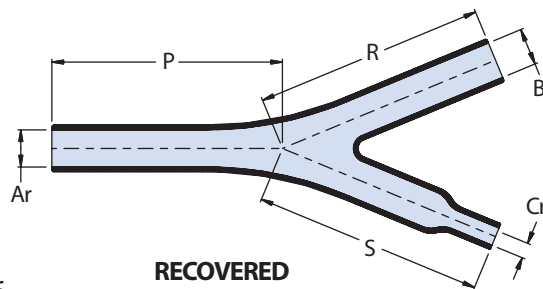
**RECOVERED**

Size	Glenair US Part Marking	Ae Min. Dia.		Be Min. Dia.		Ce Min. Dia.		Ar Max. Dia.		Br Max. Dia.		Cr Max. Dia.		P ± 10%		R, S Ref.	
		In.	mm.	In.	mm.	In.	mm.	In.	mm.	In.	mm.	In.	mm.	In.	mm.	In.	mm.
16	Y16	1.200	30.5	.900	22.9	.600	15.2	.450	11.4	.450	11.4	.300	7.6	2.480	63.0	2.480	63.0
26	Y26	.900	22.9	.400	10.2	.400	10.2	.450	11.4	.200	5.1	.200	5.1	2.480	63.0	2.480	63.0
36	Y36	1.000	25.4	.600	15.2	.600	15.2	.450	11.4	.300	7.5	.300	7.5	2.480	63.0	2.480	63.0

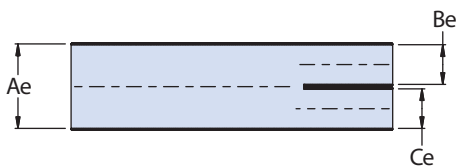


**EXPANDED**

SIZE 16

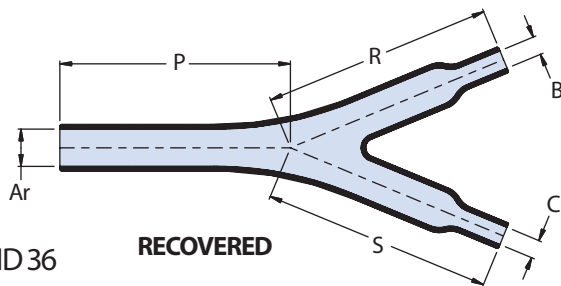


**RECOVERED**



**EXPANDED**

SIZE 26 AND 36



**RECOVERED**

Dimensions in inches (millimeters) and are subject to change without notice.

**770-009Y5, 770-009Y6 and 770-009Y7  
Type 5 Viton, Type 6 Elastomer and Type 7 Polyolefin  
Low Profile "Y" Cable Transitions**



## Type 5 Viton For Extreme Resistance To Heat, Chemicals, And Fuels



A highly flexible, fluid and temperature resistant heat shrinkable compound formulated from a blend of Viton (Dupont®) fluoroelastomer and other polyester polymers. The material has an operating temperature range of -55°C to +150°C and is flame retardant. Type 5 compound is used in Glenair convoluted boots and low profile transitions, and meets the performance requirements of SCX1511 (US).

- **Viton Material**
- **Extremely Flexible**
- **-55° C to +150° C**

Size	Part Number		
	No Adhesive Lining	Pre-Coated with W1 Zero Halogen Hot-Melt Adhesive	Pre-Coated with R Epoxy Adhesive
05	<a href="#">770-009Y505</a>	<a href="#">770-009Y505W1</a>	<a href="#">770-009Y505R</a>
06	<a href="#">770-009Y506</a>	<a href="#">770-009Y506W1</a>	<a href="#">770-009Y506R</a>
07	<a href="#">770-009Y507</a>	<a href="#">770-009Y507W1</a>	<a href="#">770-009Y507R</a>
08	<a href="#">770-009Y508</a>	<a href="#">770-009Y508W1</a>	<a href="#">770-009Y508R</a>
16	<a href="#">770-009Y516</a>	<a href="#">770-009Y516W1</a>	<a href="#">770-009Y516R</a>
26	<a href="#">770-009Y526</a>	<a href="#">770-009Y526W1</a>	<a href="#">770-009Y526R</a>
36	<a href="#">770-009Y536</a>	<a href="#">770-009Y536W1</a>	<a href="#">770-009Y536R</a>

## Type 6 High Performance Elastomer Alloy For Advanced Fluid Resistance

- **Flexible, Fluid Resistant and Flame Retardant**
- **-55° C to +135° C**

A flexible, fluid resistant, heat shrinkable compound made from high performance elastomers. The material has an operating temperature range of -55°C to + 135°C and is flame retardant. Glenair Type 6 material meets the requirements of SCX1512 (US), and is commonly used in convoluted boots and low profile transitions.

Size	Part Number	
	No Adhesive Lining	Pre-Coated with W1 Zero Halogen Hot-Melt Adhesive
05	<a href="#">770-009Y605</a>	<a href="#">770-009Y605W1</a>
06	<a href="#">770-009Y606</a>	<a href="#">770-009Y606W1</a>
07	<a href="#">770-009Y607</a>	<a href="#">770-009Y607W1</a>
08	<a href="#">770-009Y608</a>	<a href="#">770-009Y608W1</a>
16	<a href="#">770-009Y616</a>	<a href="#">770-009Y616W1</a>
26	<a href="#">770-009Y626</a>	<a href="#">770-009Y626W1</a>
36	<a href="#">770-009Y636</a>	<a href="#">770-009Y636W1</a>

## Type 7 Highly Flexible Polyolefin For Military Vehicle Applications

- **Flexible Polyolefin Material**
- **-55° C to +135° C**

A flexible heat shrink compound with excellent fluid and solvent resistance. Glenair Type 7 material has an operating temperature range of -55°C to + 135°C and is flame retardant. It has a wide range of applications in military and automotive markets, and is used on Glenair's standard and convoluted boots. The material meets the requirements of SAE-AS5258 material A and SAE-AS81765/1.

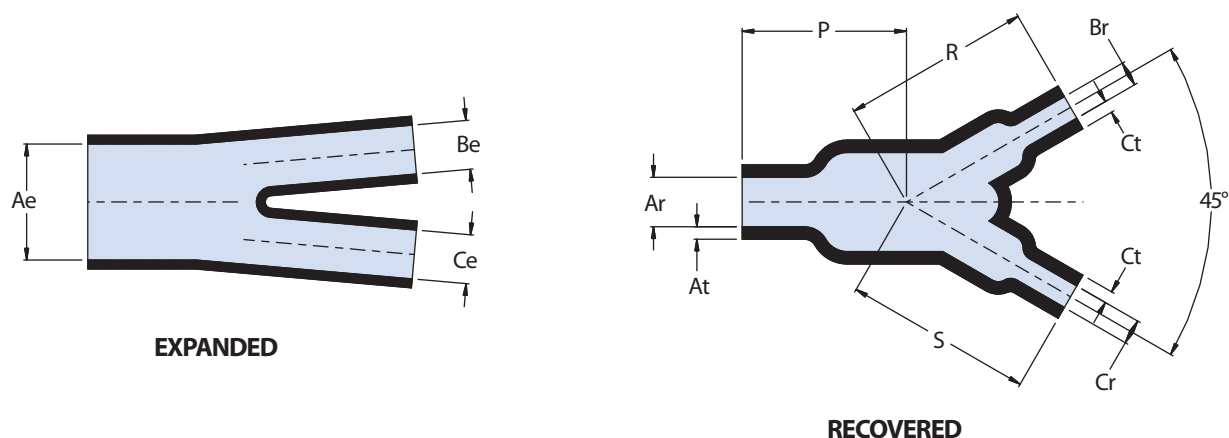
Size	Part Number		
	No Adhesive Lining	Pre-Coated with W1 Zero Halogen Hot-Melt Adhesive	Pre-Coated with W2 Low Temperature Adhesive
05	<a href="#">770-009Y705</a>	<a href="#">770-009Y705W1</a>	<a href="#">770-009Y705W2</a>
06	<a href="#">770-009Y706</a>	<a href="#">770-009Y706W1</a>	<a href="#">770-009Y706W2</a>
07	<a href="#">770-009Y707</a>	<a href="#">770-009Y707W1</a>	<a href="#">770-009Y707W2</a>
08	<a href="#">770-009Y708</a>	<a href="#">770-009Y708W1</a>	<a href="#">770-009Y708W2</a>
16	<a href="#">770-009Y716</a>	<a href="#">770-009Y716W1</a>	<a href="#">770-009Y716W2</a>
26	<a href="#">770-009Y726</a>	<a href="#">770-009Y726W1</a>	<a href="#">770-009Y726W2</a>
36	<a href="#">770-009Y736</a>	<a href="#">770-009Y736W1</a>	<a href="#">770-009Y736W2</a>

Dimensions in inches (millimeters) and are subject to change without notice.



## Series 77 Heat Shrinkable Wide Body "Y" Transitions Dimensions

### Wide Body "Y" Cable Transition: Dimensions



Size	Glenair US Part Marking	Ae Min. Dia.		Be, Ce Min. Dia.		Ar Min. Dia.		Br, Cr Max. Dia.		At ± 20%		Ct ± 20%		P ± 10%		R, S Ref.	
		In.	mm.	In.	mm.	In.	mm.	In.	mm.	In.	mm.	In.	mm.	In.	mm.	In.	mm.
05	Y05	.52	13.2	.26	6.6	.24	6.1	.13	3.3	.06	1.5	.04	1.0	.88	22.4	.76	19.3
06	Y06	1.06	26.9	.51	13.0	.49	12.4	.24	6.1	.10	2.5	.06	1.5	1.50	38.1	1.69	42.9
07	Y07	1.52	38.6	1.06	26.9	.71	18.0	.49	12.4	.12	3.0	.09	2.3	2.58	65.5	3.19	81.0
08	Y08	2.19	55.6	1.06	26.9	1.02	25.9	.52	13.2	.18	4.6	.10	2.5	3.35	85.1	3.70	94.0

Material Color Options for Type 1 High Performance Elastomer Only  
Add Optional Color Mod Code to End of Any Type 1 Material Product

Mod Code	Color	Similar to (Reference)	Mod Code	Color	Similar to (Reference)
632 B	Blue	PANTONE 3005U	632 R	Red	PANTONE 1797U
632 E	Grey	FED-STD-595; #36270	632 T	Tan	FED-STD-595; #33446
632 G	Green	PANTONE 355U	632 W	White	FED-STD-595; #37875
632 P	Purple	FED-STD-595; #37100	632 Y	Yellow	PANTONE YELLOW U
632 O	Orange	FED-STD-595; #32300	Standard	Black	FED-STD-595; #37038

Dimensions in inches (millimeters) and are subject to change without notice.

# 770-010Y1, 770-010Y2 and 770-010Y3 Type 1 Elastomeric, Type 2 Zero Hal and Type 3 Polyolefin Wide Body "Y" Cable Transitions



## Type 1 High-Performance Elastomer For Advanced Temperature And Chemical Tolerance

- **Elastomeric Material**
- **Oil Resistant and Flame Retardant**
- **-75° C to +150° C**



Semi-rigid high performance transitions combine excellent resistance to fuels, oils and solvents with superior performance at extreme temperatures. Rated for 3000 hours continuous operation at +150° C. Material meets the requirements of VG95343 Type 6, BSG 198-5-DE, EN62329-102 and SAE AS5258 Type H. These transitions are recommended for demanding applications such as military vehicles and petrochemical exploration.

Size	Part Number			
	No Adhesive Lining	Pre-Coated with W1 Zero Halogen Hot-Melt Adhesive	Pre-Coated with W2 Low Temperature Adhesive	Pre-Coated with R Epoxy Adhesive
05	<a href="#">770-010Y105</a>	<a href="#">770-010Y105W1</a>	<a href="#">770-010Y105W2</a>	<a href="#">770-010Y105R</a>
06	<a href="#">770-010Y106</a>	<a href="#">770-010Y106W1</a>	<a href="#">770-010Y106W2</a>	<a href="#">770-010Y106R</a>
07	<a href="#">770-010Y107</a>	<a href="#">770-010Y107W1</a>	<a href="#">770-010Y107W2</a>	<a href="#">770-010Y107R</a>
08	<a href="#">770-010Y108</a>	<a href="#">770-010Y108W1</a>	<a href="#">770-010Y108W2</a>	<a href="#">770-010Y108R</a>

## Type 2 Low Smoke Zero Halogen (LSZH) For Regulated Environmental Safety Applications

- **Low Smoke Hazard**
- **-30° C to +135° C**

Halogen-free polyolefin transitions meet low smoke and toxicity requirements of shipboard, transit and aircraft systems. Oxygen index greater than 30%, smoke index less than 20, and toxicity index under 3 per 100 grams. Material meets requirements of NAVSEA 5617649, VG95343 Part 29, BSG 198-5-DF, EN62329-101 and SAE AS5258 Type G. Good resistance to oils, fuels and solvents. Available with high temperature hot melt adhesive lining, these transitions provide strain relief and environmental protection to cable transitions. Temperature rating -30° to +125° C.

Size	Part Number			
	No Adhesive Lining	Pre-Coated with W1 Zero Halogen Hot-Melt Adhesive	Pre-Coated with W2 Low Temperature Adhesive	Pre-Coated with R Epoxy Adhesive
05	<a href="#">770-010Y205</a>	<a href="#">770-010Y205W1</a>	<a href="#">770-010Y205W2</a>	<a href="#">770-010Y205R</a>
06	<a href="#">770-010Y206</a>	<a href="#">770-010Y206W1</a>	<a href="#">770-010Y206W2</a>	<a href="#">770-010Y206R</a>
07	<a href="#">770-010Y207</a>	<a href="#">770-010Y207W1</a>	<a href="#">770-010Y207W2</a>	<a href="#">770-010Y207R</a>
08	<a href="#">770-010Y208</a>	<a href="#">770-010Y208W1</a>	<a href="#">770-010Y208W2</a>	<a href="#">770-010Y208R</a>

## Type 3 Flexible Polyolefin For General Duty Applications

- **Flexible Polyolefin Material**
- **-55° C to +135° C**

Economical, flexible polyolefin transitions. These self-extinguishing transitions meet the requirements of SAE AS81765/1 Type II. Good resistance to oils and fuels. Available with optional hot melt adhesive lining, these transitions provide strain relief and environmental protection to cable transitions. Temperature rating -55° to +135° C.

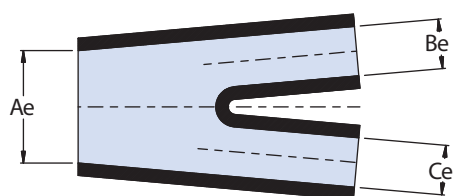
Size	Part Number	
	No Adhesive Lining	Pre-Coated with W2 Low Temperature Adhesive
05	<a href="#">770-010Y305</a>	<a href="#">770-010Y305W2</a>
06	<a href="#">770-010Y306</a>	<a href="#">770-010Y306W2</a>
07	<a href="#">770-010Y307</a>	<a href="#">770-010Y307W2</a>
08	<a href="#">770-010Y308</a>	<a href="#">770-010Y308W2</a>

Dimensions in inches (millimeters) and are subject to change without notice.

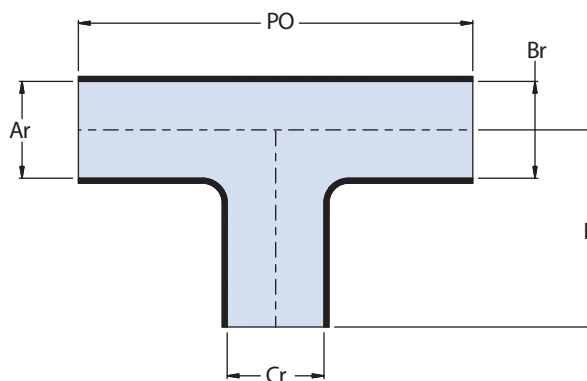


## Series 77 Heat Shrinkable Low Profile "T" Transition Dimensions

### Low Profile "T" Cable Transition: Dimensions



**EXPANDED**



**RECOVERED**

Size	Glenair US Part Marking	Ae Min. Dia.		Be, Ce Min. Dia.		Ar, Br, Cr Max. Dia.		PO ± 10%		R Ref.	
		In.	mm.	In.	mm.	In.	mm.	In.	mm.	In.	mm.
01	T01	.780	19.8	.520	13.2	.260	6.6	3.181	80.8	1.590	40.4
02	T02	1.350	34.3	.900	22.9	.450	11.4	4.740	120.4	2.370	60.2
03	T03	2.370	60.2	1.580	40.1	.791	20.1	6.921	175.8	3.460	87.9
04	T04	3.280	83.3	2.161	54.9	1.311	33.3	9.540	242.3	4.772	121.2

Dimensions in inches (millimeters) and are subject to change without notice.



**770-012T5, 770-012T6 and 770-012T7  
Type 5 Viton, Type 6 Elastomer and Type 7 Polyolefin  
Low Profile "T" Cable Transitions**



## Type 5 Viton For Extreme Resistance To Heat, Chemicals, And Fuels



- **Viton Material**
- **Extremely Flexible**
- **-55° C to +150° C**

A highly flexible, fluid and temperature resistant heat shrinkable compound formulated from a blend of Viton (Dupont®) fluoroelastomer and other polyester polymers. The material has an operating temperature range of -55°C to +150°C and is flame retardant. Type 5 compound is used in Glenair convoluted boots and low profile transitions, and meets the performance requirements of SCX1511 (US).

Boot Size	Part Number		
	No Adhesive Lining	Pre-Coated with W1 Zero Halogen Hot-Melt Adhesive	Pre-Coated with R Epoxy Adhesive
01	<a href="#">770-012T501</a>	<a href="#">770-012T501W1</a>	<a href="#">770-012T501R</a>
02	<a href="#">770-012T502</a>	<a href="#">770-012T502W1</a>	<a href="#">770-012T502R</a>
03	<a href="#">770-012T503</a>	<a href="#">770-012T503W1</a>	<a href="#">770-012T503R</a>
04	<a href="#">770-012T504</a>	<a href="#">770-012T504W1</a>	<a href="#">770-012T504R</a>

## Type 6 High Performance Elastomer Alloy For Advanced Fluid Resistance

- **Flexible, Fluid Resistant and Flame Retardant**
- **-55° C to +135° C**

A flexible, fluid resistant, heat shrinkable compound made from high performance elastomers. The material has an operating temperature range of -55°C to + 135°C and is flame retardant. Glenair Type 6 material meets the requirements of SCX1512 (US), and is commonly used in convoluted boots and low profile transitions.

Boot Size	Part Number	
	No Adhesive Lining	Pre-Coated with W1 Zero Halogen Hot-Melt Adhesive
01	<a href="#">770-012T601</a>	<a href="#">770-012T601W1</a>
02	<a href="#">770-012T602</a>	<a href="#">770-012T602W1</a>
03	<a href="#">770-012T603</a>	<a href="#">770-012T603W1</a>
04	<a href="#">770-012T604</a>	<a href="#">770-012T604W1</a>

## Type 7 Highly Flexible Polyolefin For Military Vehicle Applications

- **Flexible Polyolefin Material**
- **-55° C to +135° C**

A flexible heat shrink compound with excellent fluid and solvent resistance. Glenair Type 7 material has an operating temperature range of -55°C to + 135°C and is flame retardant. It has a wide range of applications in military and automotive markets, and is used on Glenair's standard and convoluted boots. The material meets the requirements of SAE-AS5258 material A and SAE-AS81765/1.

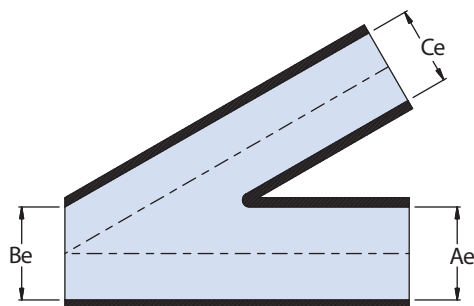
Boot Size	Part Number		
	No Adhesive Lining	Pre-Coated with W1 Zero Halogen Hot-Melt Adhesive	Pre-Coated with W2 Low Temperature Adhesive
01	<a href="#">770-012T701</a>	<a href="#">770-012T701W1</a>	<a href="#">770-012T701W2</a>
02	<a href="#">770-012T702</a>	<a href="#">770-012T702W1</a>	<a href="#">770-012T702W2</a>
03	<a href="#">770-012T703</a>	<a href="#">770-012T703W1</a>	<a href="#">770-012T703W2</a>
04	<a href="#">770-012T704</a>	<a href="#">770-012T704W1</a>	<a href="#">770-012T704W2</a>

Dimensions in inches (millimeters) and are subject to change without notice.

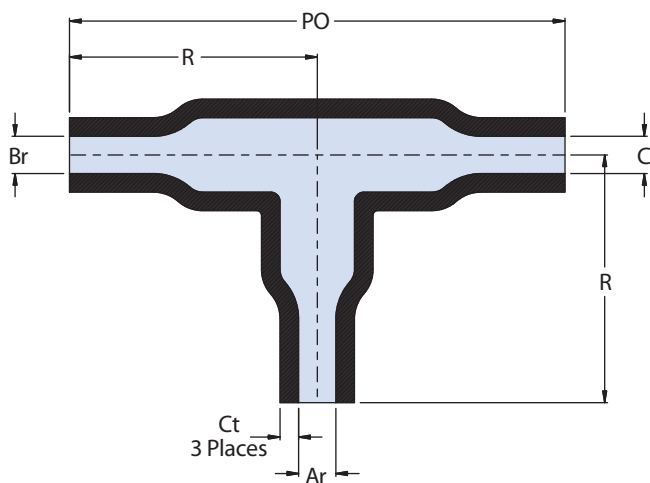


## Series 77 Heat Shrinkable Wide Body "T" Transition Dimensions

### Wide Body "T" Cable Transition: Dimensions



**EXPANDED**



**RECOVERED**

Size	Glenair US Part Marking	Ae, Be, Ce Min. Dia.		Ar, Br, Cr Max. Dia.		Ct ± 20%		PO ± 10%		R Ref.	
		In.	mm.	In.	mm.	In.	mm.	In.	mm.	In.	mm.
01	T01	.26	6.6	.14	3.6	.04	1.02	1.17	29.7	.59	15.1
02	T02	.52	13.2	.27	6.9	.06	1.52	2.31	58.7	1.16	29.5
03	T03	1.06	26.9	.53	13.5	.09	2.29	4.73	120.1	2.37	60.2
04	T04	2.19	55.6	1.19	30.2	.12	3.05	9.70	246.4	4.85	123.2

Material Color Options for Type 1 High Performance Elastomer Only  
Add Optional Color Mod Code to End of Any Type 1 Material Product

Mod Code	Color	Similar to (Reference)	Mod Code	Color	Similar to (Reference)
632 B	Blue	PANTONE 3005U	632 R	Red	PANTONE 1797U
632 E	Grey	FED-STD-595; #36270	632 T	Tan	FED-STD-595; #33446
632 G	Green	PANTONE 355U	632 W	White	FED-STD-595; #37875
632 P	Purple	FED-STD-595; #37100	632 Y	Yellow	PANTONE YELLOW U
632 O	Orange	FED-STD-595; #32300	Standard	Black	FED-STD-595; #37038

Dimensions in inches (millimeters) and are subject to change without notice.

**770-011T1, 770-011T2 and 770-011T3**  
**Type 1 Elastomeric, Type 2 Zero Hal and Type 3 Polyolefin**  
**Wide Body "T" Cable Transitions**



**Type 1 High-Performance Elastomer For Advanced Temperature And Chemical Tolerance**



Semi-rigid high performance transitions combine excellent resistance to fuels, oils and solvents with superior performance at extreme temperatures. Rated for 3000 hours continuous operation at +150° C. Material meets the requirements of VG95343 Type 6, BSG 198-5-DE, EN62329-102 and SAE AS5258 Type H. These transitions are recommended for demanding applications such as military vehicles and petrochemical exploration.

- **Elastomeric Material**
- **Oil Resistant and Flame Retardant**
- **-75° C to +150° C**

Boot Size	Part Number			
	No Adhesive Lining	Pre-Coated with W1 Zero Halogen Hot-Melt Adhesive	Pre-Coated with W2 Low Temperature Adhesive	Pre-Coated with R Epoxy Adhesive
01	<a href="#">770-011T101</a>	<a href="#">770-011T101W1</a>	<a href="#">770-011T101W2</a>	<a href="#">770-011T101R</a>
02	<a href="#">770-011T102</a>	<a href="#">770-011T102W1</a>	<a href="#">770-011T102W2</a>	<a href="#">770-011T102R</a>
03	<a href="#">770-011T103</a>	<a href="#">770-011T103W1</a>	<a href="#">770-011T103W2</a>	<a href="#">770-011T103R</a>
04	<a href="#">770-011T104</a>	<a href="#">770-011T104W1</a>	<a href="#">770-011T104W2</a>	<a href="#">770-011T104R</a>

**Type 2 Low Smoke Zero Halogen (LSZH) For Regulated Environmental Safety Applications**

- **Low Smoke Hazard**
- **-30° C to +135° C**

Halogen-free polyolefin transitions meet low smoke and toxicity requirements of shipboard, transit and aircraft systems. Oxygen index greater than 30%, smoke index less than 20, and toxicity index under 3 per 100 grams. Material meets requirements of NAVSEA 5617649, VG95343 Part 29, BSG 198-5-DF, EN62329-101 and SAE AS5258 Type G. Good resistance to oils, fuels and solvents. Available with high temperature hot melt adhesive lining, these transitions provide strain relief and environmental protection to cable transitions. Temperature rating -30° to +125° C.

Boot Size	Part Number			
	No Adhesive Lining	Pre-Coated with W1 Zero Halogen Hot-Melt Adhesive	Pre-Coated with W2 Low Temperature Adhesive	Pre-Coated with R Epoxy Adhesive
01	<a href="#">770-011T201</a>	<a href="#">770-011T201W1</a>	<a href="#">770-011T201W2</a>	<a href="#">770-011T201R</a>
02	<a href="#">770-011T202</a>	<a href="#">770-011T202W1</a>	<a href="#">770-011T202W2</a>	<a href="#">770-011T202R</a>
03	<a href="#">770-011T203</a>	<a href="#">770-011T203W1</a>	<a href="#">770-011T203W2</a>	<a href="#">770-011T203R</a>
04	<a href="#">770-011T204</a>	<a href="#">770-011T204W1</a>	<a href="#">770-011T204W2</a>	<a href="#">770-011T204R</a>

**Type 3 Flexible Polyolefin For General Duty Applications**

- **Flexible Polyolefin Material**
- **-55° C to +135° C**

Economical, flexible polyolefin transitions. These self-extinguishing transitions meet the requirements of SAE AS81765/1 Type II. Good resistance to oils and fuels. Available with optional hot melt adhesive lining, these transitions provide strain relief and environmental protection to cable transitions. Temperature rating -55° to +135° C.

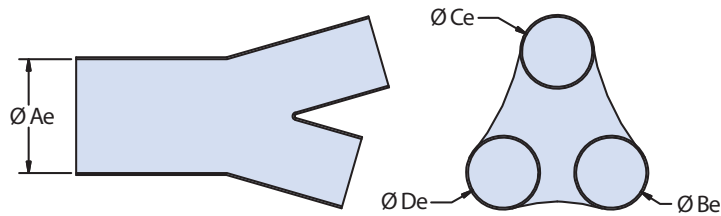
Boot Size	Part Number	
	No Adhesive Lining	Pre-Coated with W2 Low Temperature Adhesive
01	<a href="#">770-011T301</a>	<a href="#">770-011T301W2</a>
02	<a href="#">770-011T302</a>	<a href="#">770-011T302W2</a>
03	<a href="#">770-011T303</a>	<a href="#">770-011T303W2</a>
04	<a href="#">770-011T304</a>	<a href="#">770-011T304W2</a>

Dimensions in inches (millimeters) and are subject to change without notice.

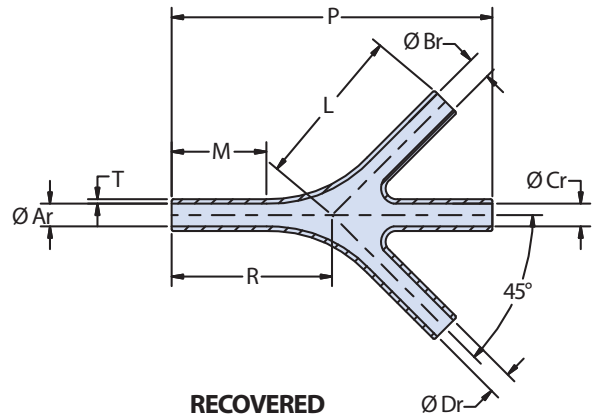


## Series 77 Heat Shrinkable Low Profile 1:3 Transition Dimensions

### Low Profile 1:3 Cable Transition: Dimensions



EXPANDED



RECOVERED

Size	Glenair US Part Marking	Ae Min. Dia.		Be, Ce, De Min. Dia.		Ar Max. Dia.		Br, Cr, Dr Max. Dia.		T ± 20%		P ± 10%		L Ref.		R Ref.	
		In.	mm.	In.	mm.	In.	mm.	In.	mm.	In.	mm.	In.	mm.	In.	mm.	In.	mm.
09	09	.78	19.8	.52	13.2	.26	6.6	.26	6.6	.04	1.0	3.38	85.9	1.00	25.4	1.69	42.9
10	10	1.35	34.3	.81	20.6	.45	11.4	.45	11.4	.05	1.3	5.34	135.6	1.62	41.1	2.67	67.8
11	11	2.37	60.2	1.42	36.1	.79	20.1	.79	20.1	.06	1.5	8.16	207.3	2.50	63.5	4.08	103.6
12	12	3.93	99.8	2.16	54.9	1.31	33.3	1.31	33.3	.07	1.8	11.60	294.6	3.50	88.9	5.80	147.3

Dimensions in inches (millimeters) and are subject to change without notice.

## Type 5 Viton For Extreme Resistance To Heat, Chemicals, And Fuels



- **Viton Material**
- **Extremely Flexible**
- **-55° C to +150° C**

A highly flexible, fluid and temperature resistant heat shrinkable compound formulated from a blend of Viton (Dupont®) fluoroelastomer and other polyester polymers. The material has an operating temperature range of -55°C to +150°C and is flame retardant. Type 5 compound is used in Glenair convoluted boots and low profile transitions, and meets the performance requirements of SCX1511 (US).

Boot Size	Part Number		
	No Adhesive Lining	Pre-Coated with W1 Zero Halogen Hot-Melt Adhesive	Pre-Coated with R Epoxy Adhesive
09	<a href="#">770-014509</a>	<a href="#">770-014509W1</a>	<a href="#">770-014509R</a>
10	<a href="#">770-014510</a>	<a href="#">770-014510W1</a>	<a href="#">770-014510R</a>
11	<a href="#">770-014511</a>	<a href="#">770-014511W1</a>	<a href="#">770-014511R</a>
12	<a href="#">770-014512</a>	<a href="#">770-014512W1</a>	<a href="#">770-014512R</a>

## Type 6 High Performance Elastomer Alloy For Advanced Fluid Resistance

- **Flexible, Fluid Resistant and Flame Retardant**
- **-55° C to +135° C**

A flexible, fluid resistant, heat shrinkable compound made from high performance elastomers. The material has an operating temperature range of -55°C to + 135°C and is flame retardant. Glenair Type 6 material meets the requirements of SCX1512 (US), and is commonly used in convoluted boots and low profile transitions.

Boot Size	Part Number	
	No Adhesive Lining	Pre-Coated with W1 Zero Halogen Hot-Melt Adhesive
09	<a href="#">770-014609</a>	<a href="#">770-014609W1</a>
10	<a href="#">770-014610</a>	<a href="#">770-014610W2</a>
11	<a href="#">770-014611</a>	<a href="#">770-014611W2</a>
12	<a href="#">770-014612</a>	<a href="#">770-014612W2</a>

## Type 7 Highly Flexible Polyolefin For Military Vehicle Applications

- **Flexible Polyolefin Material**
- **-55° C to +135° C**

A flexible heat shrink compound with excellent fluid and solvent resistance. Glenair Type 7 material has an operating temperature range of -55°C to + 135°C and is flame retardant. It has a wide range of applications in military and automotive markets, and is used on Glenair's standard and convoluted boots. The material meets the requirements of SAE-AS5258 material A and SAE-AS81765/1.

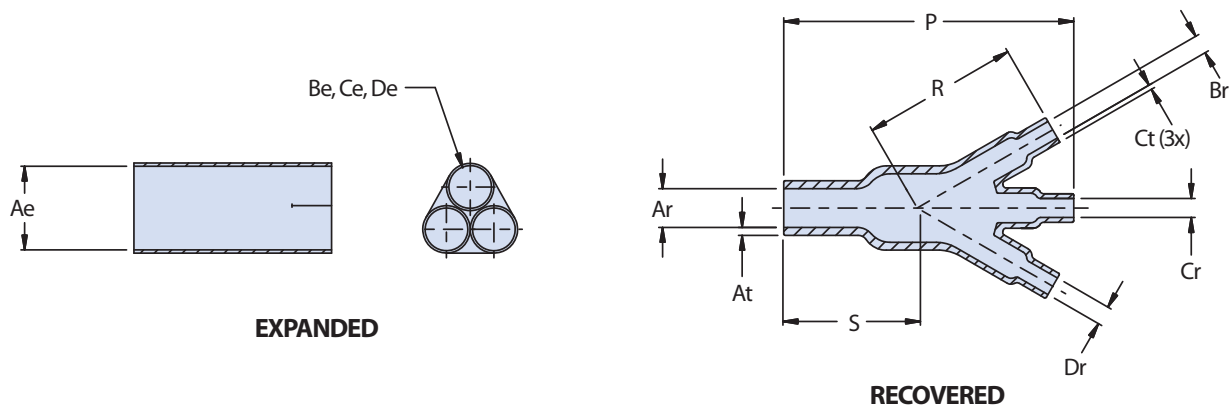
Boot Size	Part Number		
	No Adhesive Lining	Pre-Coated with W1 Zero Halogen Hot-Melt Adhesive	Pre-Coated with W2 Low Temperature Adhesive
09	<a href="#">770-014709</a>	<a href="#">770-014709W1</a>	<a href="#">770-014709W2</a>
10	<a href="#">770-014710</a>	<a href="#">770-014710W1</a>	<a href="#">770-014710W2</a>
11	<a href="#">770-014711</a>	<a href="#">770-014711W1</a>	<a href="#">770-014711W2</a>
12	<a href="#">770-014712</a>	<a href="#">770-014712W1</a>	<a href="#">770-014712W2</a>

Dimensions in inches (millimeters) and are subject to change without notice.



## Series 77 Heat Shrinkable Wide Body 1:3 Transition Dimensions

### Wide Body 1:3 Cable Transition: Dimensions



Size	Glenair US Part Marking	Ae Min. Dia.		Be, Ce, De Min. Dia.		Ar Max. Dia.		Br, Cr, Dr Max. Dia.		At ± 20%		Ct ± 20%		P ± 10%		R Ref.		S Ref.	
		In.	mm.	In.	mm.	In.	mm.	In.	mm.	In.	mm.	In.	mm.	In.	mm.	In.	mm.	In.	mm.
09	09	.52	13.2	.26	6.6	.26	6.6	.14	3.6	.06	1.5	.04	1.0	1.82	46.2	1.00	25.4	.82	20.8
10	10	1.06	26.9	.51	13.0	.53	13.5	.28	7.1	.10	2.5	.06	1.5	3.67	93.2	1.98	50.3	1.69	42.9
11	11	1.52	38.6	.76	19.3	.75	19.1	.39	9.9	.12	3.0	.07	1.8	5.32	135.1	2.90	73.7	2.42	61.5
12	12	2.19	55.6	1.06	26.9	1.00	25.4	.49	12.4	.18	4.6	.12	3.0	7.56	192.0	4.06	103.1	3.50	88.9
13	13	3.60	91.4	1.80	45.7	2.15	54.6	1.08	27.4	.28	7.1	.18	4.6	15.37	390.4	8.31	211.1	7.06	179.3

Material Color Options for Type 1 High Performance Elastomer Only  
Add Optional Color Mod Code to End of Any Type 1 Material Product

Mod Code	Color	Similar to (Reference)	Mod Code	Color	Similar to (Reference)
632 B	Blue	PANTONE 3005U	632 R	Red	PANTONE 1797U
632 E	Grey	FED-STD-595; #36270	632 T	Tan	FED-STD-595; #33446
632 G	Green	PANTONE 355U	632 W	White	FED-STD-595; #37875
632 P	Purple	FED-STD-595; #37100	632 Y	Yellow	PANTONE YELLOW U
632 O	Orange	FED-STD-595; #32300	Standard	Black	FED-STD-595; #37038

Dimensions in inches (millimeters) and are subject to change without notice.

## Type 1 High-Performance Elastomer For Advanced Temperature And Chemical Tolerance

- **Elastomeric Material**
- **Oil Resistant and Flame Retardant**
- **-75° C to +150° C**



Semi-rigid high performance transitions combine excellent resistance to fuels, oils and solvents with superior performance at extreme temperatures. Rated for 3000 hours continuous operation at +150° C. Material meets the requirements of VG95343 Type 6, BSG 198-5-DE, EN62329-102 and SAE AS5258 Type H. These transitions are recommended for demanding applications such as military vehicles and petrochemical exploration.

Boot Size	Part Number			
	No Adhesive Lining	Pre-Coated with W1 Zero Halogen Hot-Melt Adhesive	Pre-Coated with W2 Low Temperature Adhesive	Pre-Coated with R Epoxy Adhesive
09	<a href="#">770-013109</a>	<a href="#">770-013109W1</a>	<a href="#">770-013109W2</a>	<a href="#">770-013109R</a>
10	<a href="#">770-013110</a>	<a href="#">770-013110W1</a>	<a href="#">770-013110W2</a>	<a href="#">770-013110R</a>
11	<a href="#">770-013111</a>	<a href="#">770-013111W1</a>	<a href="#">770-013111W2</a>	<a href="#">770-013111R</a>
12	<a href="#">770-013112</a>	<a href="#">770-013112W1</a>	<a href="#">770-013112W2</a>	<a href="#">770-013112R</a>
13	<a href="#">770-013113</a>	<a href="#">770-013113W1</a>	<a href="#">770-013113W2</a>	<a href="#">770-013113R</a>

## Type 2 Low Smoke Zero Halogen For Environmental Safety

- **Low Smoke Hazard**
- **-30° C to +135° C**

Halogen-free polyolefin transitions meet low smoke and toxicity requirements of shipboard, transit and aircraft systems. Oxygen index greater than 30%, smoke index less than 20, and toxicity index under 3 per 100 grams. Material meets requirements of NAVSEA 5617649, VG95343 Part 29, BSG 198-5-DF, EN62329-101 and SAE AS5258 Type G. Good resistance to oils, fuels and solvents. Available with high temperature hot melt adhesive lining, these transitions provide strain relief and environmental protection to cable transitions. Temperature rating -30° to +125° C.

Boot Size	Part Number			
	No Adhesive Lining	Pre-Coated with W1 Zero Halogen Hot-Melt Adhesive	Pre-Coated with W2 Low Temperature Adhesive	Pre-Coated with R Epoxy Adhesive
09	<a href="#">770-013209</a>	<a href="#">770-013209W1</a>	<a href="#">770-013209W2</a>	<a href="#">770-013209R</a>
10	<a href="#">770-013210</a>	<a href="#">770-013210W1</a>	<a href="#">770-013210W2</a>	<a href="#">770-013210R</a>
11	<a href="#">770-013211</a>	<a href="#">770-013211W1</a>	<a href="#">770-013211W2</a>	<a href="#">770-013211R</a>
12	<a href="#">770-013212</a>	<a href="#">770-013212W1</a>	<a href="#">770-013212W2</a>	<a href="#">770-013212R</a>
13	<a href="#">770-013213</a>	<a href="#">770-013213W1</a>	<a href="#">770-013213W2</a>	<a href="#">770-013213R</a>

## Type 3 Flexible Polyolefin For General Duty Applications

- **Flexible Polyolefin Material**
- **-55° C to +135° C**

Economical, flexible polyolefin transitions. These self-extinguishing transitions meet the requirements of SAE AS81765/1 Type II. Good resistance to oils and fuels. Available with optional hot melt adhesive lining, these transitions provide strain relief and environmental protection to cable transitions. Temperature rating -55° to +135° C.

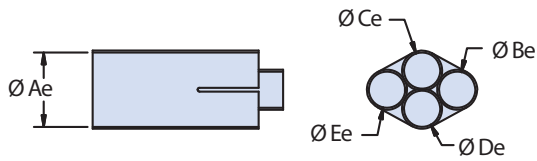
Boot Size	Part Number	
	No Adhesive Lining	Pre-Coated with W2 Low Temperature Adhesive
09	<a href="#">770-013309</a>	<a href="#">770-013309W2</a>
10	<a href="#">770-013310</a>	<a href="#">770-013310W2</a>
11	<a href="#">770-013311</a>	<a href="#">770-013311W2</a>
12	<a href="#">770-013312</a>	<a href="#">770-013312W2</a>
13	<a href="#">770-013313</a>	<a href="#">770-013313W2</a>

Dimensions in inches (millimeters) and are subject to change without notice.

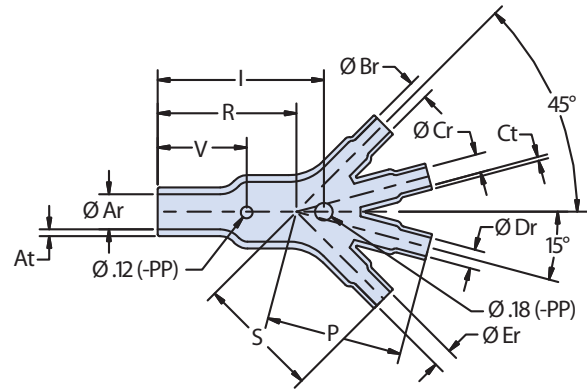


## Series 77 Heat Shrinkable Wide Body 1:4 Transition Dimensions

### Wide Body 1:4 Cable Transition: Dimensions



**EXPANDED**



**RECOVERED**

Size	Glenair US Part Marking	Ae Min. Dia.		Be, Ce, De, Ee Min. Dia.		Ar Max. Dia.		Br, Cr, Dr, Er Max. Dia.		At ± 20%		Ct ± 20%		R ± 10%		P ± 10%		S ± 10%		I ± 10%		V Ref.	
		In.	mm.	In.	mm.	In.	mm.	In.	mm.	In.	mm.	In.	mm.	In.	mm.	In.	mm.	In.	mm.	In.	mm.		
14	14	.52	13.2	.26	6.6	.27	6.9	.14	3.5	.06	1.52	.04	1.02	1.51	38.4	.95	24.1	.95	24.1	.79	20.0	1.73	43.9
15	15	.76	19.3	.37	9.4	.38	9.7	.21	5.3	.07	1.78	.04	1.02	1.42	36.1	1.40	35.6	1.26	32.0	.91	23.1	1.70	43.2
16	16	.76	19.3	.52	13.2	.38	9.7	.27	6.9	.07	1.78	.06	1.52	1.42	36.1	1.94	49.3	1.77	45.0	1.00	25.4	1.99	50.5
17	17	1.06	26.9	.52	13.2	.51	13.0	.27	6.9	.10	2.54	.06	1.52	2.04	51.8	1.94	49.3	1.77	45.0	1.32	33.5	2.59	65.3
18	18	1.52	38.6	.76	19.3	.73	18.5	.38	9.7	.12	3.05	.07	1.78	2.95	74.9	2.83	71.9	2.57	65.3	1.83	46.5	3.75	95.3
19	19	2.19	55.6	1.06	26.9	1.05	26.7	.51	13.0	.18	4.57	.10	2.54	4.27	108.5	4.00	101.6	3.64	92.5	2.58	65.5	5.32	135.1

Material Color Options for Type 1 High Performance Elastomer Only  
Add Optional Color Mod Code to End of Any Type 1 Material Product

Mod Code	Color	Similar to (Reference)	Mod Code	Color	Similar to (Reference)
632 B	Blue	PANTONE 3005U	632 R	Red	PANTONE 1797U
632 E	Grey	FED-STD-595; #36270	632 T	Tan	FED-STD-595; #33446
632 G	Green	PANTONE 355U	632 W	White	FED-STD-595; #37875
632 P	Purple	FED-STD-595; #37100	632 Y	Yellow	PANTONE YELLOW U
632 O	Orange	FED-STD-595; #32300	Standard	Black	FED-STD-595; #37038

Dimensions in inches (millimeters) and are subject to change without notice.



## Type 1 High-Performance Elastomer For Heat And Chemical Tolerance

- **Elastomeric Material**
- **Oil Resistant and Flame Retardant**
- **-75° C to +150° C**



Semi-rigid high performance transitions combine excellent resistance to fuels, oils and solvents with superior performance at extreme temperatures. Rated for 3000 hours continuous operation at +150° C. Material meets the requirements of VG95343 Type 6, BSG 198-5-DE, EN62329-102 and SAE AS5258 Type H. These transitions are recommended for demanding applications such as military vehicles and petrochemical exploration.

Boot Size	Part Number			
	No Adhesive Lining	Pre-Coated with W1 Zero Halogen Hot-Melt Adhesive	Pre-Coated with W2 Low Temperature Adhesive	Pre-Coated with R Epoxy Adhesive
14	<a href="#">770-015114</a>	<a href="#">770-015114W1</a>	<a href="#">770-015114W2</a>	<a href="#">770-015114R</a>
15	<a href="#">770-015115</a>	<a href="#">770-015115W1</a>	<a href="#">770-015115W2</a>	<a href="#">770-015115R</a>
16	<a href="#">770-015116</a>	<a href="#">770-015116W1</a>	<a href="#">770-015116W2</a>	<a href="#">770-015116R</a>
17	<a href="#">770-015117</a>	<a href="#">770-015117W1</a>	<a href="#">770-015117W2</a>	<a href="#">770-015117R</a>
18	<a href="#">770-015118</a>	<a href="#">770-015118W1</a>	<a href="#">770-015118W2</a>	<a href="#">770-015118R</a>
19	<a href="#">770-015119</a>	<a href="#">770-015119W1</a>	<a href="#">770-015119W2</a>	<a href="#">770-015119R</a>

## Type 2 Low Smoke Zero Halogen For Environmental Safety

- **Low Smoke Hazard**
- **-30° C to +135° C**

Halogen-free polyolefin transitions meet low smoke and toxicity requirements of shipboard, transit and aircraft systems. Oxygen index greater than 30%, smoke index less than 20, and toxicity index under 3 per 100 grams. Material meets requirements of NAVSEA 5617649, VG95343 Part 29, BSG 198-5-DF, EN62329-101 and SAE AS5258 Type G. Good resistance to oils, fuels and solvents. Available with high temperature hot melt adhesive lining, these transitions provide strain relief and environmental protection to cable transitions. Temperature rating -30° to +125° C.

Boot Size	Part Number			
	No Adhesive Lining	Pre-Coated with W1 Zero Halogen Hot-Melt Adhesive	Pre-Coated with W2 Low Temperature Adhesive	Pre-Coated with R Epoxy Adhesive
14	<a href="#">770-015214</a>	<a href="#">770-015214W1</a>	<a href="#">770-015214W2</a>	<a href="#">770-015214R</a>
15	<a href="#">770-015215</a>	<a href="#">770-015215W1</a>	<a href="#">770-015215W2</a>	<a href="#">770-015215R</a>
16	<a href="#">770-015216</a>	<a href="#">770-015216W1</a>	<a href="#">770-015216W2</a>	<a href="#">770-015216R</a>
17	<a href="#">770-015217</a>	<a href="#">770-015217W1</a>	<a href="#">770-015217W2</a>	<a href="#">770-015217R</a>
18	<a href="#">770-015218</a>	<a href="#">770-015218W1</a>	<a href="#">770-015218W2</a>	<a href="#">770-015218R</a>
19	<a href="#">770-015219</a>	<a href="#">770-015219W1</a>	<a href="#">770-015219W2</a>	<a href="#">770-015219R</a>

## Type 3 Flexible Polyolefin For General Duty Applications

- **Flexible Polyolefin Material**
- **-55° C to +135° C**

Economical, flexible polyolefin transitions. These self-extinguishing transitions meet the requirements of SAE AS81765/1 Type II. Good resistance to oils and fuels. Available with optional hot melt adhesive lining, these transitions provide strain relief and environmental protection to cable transitions. Temperature rating -55° to +135° C.

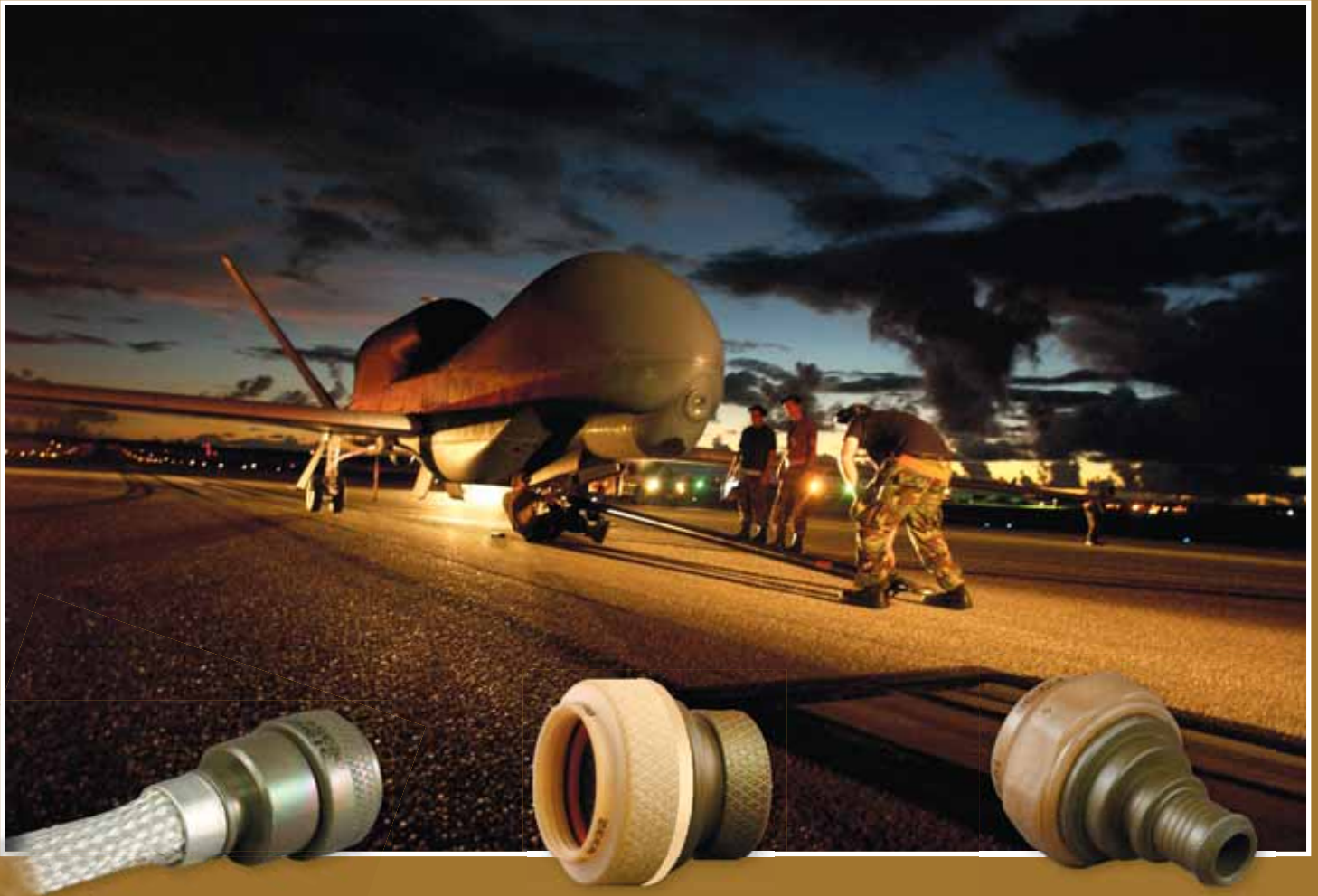
Boot Size	Part Number	
	No Adhesive Lining	Pre-Coated with W2 Low Temperature Adhesive
14	<a href="#">770-015314</a>	<a href="#">770-015314W2</a>
15	<a href="#">770-015315</a>	<a href="#">770-015315W2</a>
16	<a href="#">770-015316</a>	<a href="#">770-015316W2</a>
17	<a href="#">770-015317</a>	<a href="#">770-015317W2</a>
18	<a href="#">770-015318</a>	<a href="#">770-015318W2</a>
19	<a href="#">770-015319</a>	<a href="#">770-015319W2</a>

Dimensions in inches (millimeters) and are subject to change without notice.

SERIES 77

# FULL NELSON

COMMERCIAL AND MIL-SPEC SHRINK BOOT ADAPTERS



Choose from the industry's largest offering of shrink boot adapters. Additional information can be found in the Glenair *Circular Connector Backshells and Accessories* catalog. Comprehensive information on composite adapters can be found in our *Composite Thermoplastic Connectors and Accessories* catalog. For additional details on mil-spec versions, refer to *Mil-Spec Backshells and Connector Accessories* catalog.



SHRINK BOOT ADAPTER SELECTION GUIDE

### Shrink Boot Adapters

Choose from the industry's largest offering of shrink boot adapters. Additional information can be found in the *Glenair Circular Connector Backshells and Accessories* catalog. Comprehensive information on composite adapters can be found in our *Composite Thermoplastic Connectors and Accessories* catalog. For additional details on mil-spec versions, refer to *Mil-Spec Backshells and Connector Accessories* catalog.



#### Series 310 Shrink Boot Adapters

Series 310 shrink boot adapters for unshielded cables. Available with spin or direct coupling, these adapters fit all types of circular connectors.



#### Series 311 Lamp-Base Thread Adapters

Series 311 shrink boot adapters provide easy termination of EMI/RFI shielding. Braided shielding is captivated under a lamp-base threaded nut.



#### Series 319 Shield Sock Adapters

Series 319 shrink boot adapters are available in rotatable and self-locking coupling nut versions, and are supplied with factory-crimped tinned copper braid.



#### Series 44 Adapters

Series 44 shrink boot adapters for shielded cable provide a banding platform for the attachment of cable braid with **BAND-IT**® bands.



#### SAE-AS85049 QPL Shrink Boot Adapters

These M85049 straight shrink boot adapters are available for all types of cylindrical connectors.



#### Composite Thermoplastic Shrink Boot Adapters

Glenair manufactures a complete series of lightweight, corrosion-resistant composite shrink boot adapters for shielded or unshielded cable.

Dimensions in inches (millimeters) and are subject to change without notice.  
CAGE Code 06324

© 2011 Glenair, Inc.

Printed in U.S.A.

GLENAIR, INC. • 1211 AIR WAY • GLENDALE, CA 91201-2497 • 818-247-6000 • FAX 818-500-9912

www.glenair.com

H-1

E-Mail: sales@glenair.com



# Shrink Boot Adapter Interface Dimensions and Standards

**TABLE I - BACKSHELL INTERFACE DIMENSIONS**

CONNECTOR DESIGNATOR										A THREAD*						
A	C*	D	E	F	G	H	J	K	L	S	REFERENCE	DIA MAX	DIA MAX	DIA MAX	DIA MAX	
		08	08	08 [9]					08	08	08	7/16 - 28 UNEF	.590 (15.)	.650 (16.5)	.770 (19.6)	.690 (17.5)
						09 [A]					M12 x 1 - 6H	.650 (16.5)	.770 (19.6)		.940 (24.8)	
08							08 [A]	10			1/2 - 20 UNF	.650 (16.5)	.650 (16.5)		.690 (17.5)	
		10	10	10 [11]					11	10	10	1/2 - 28 UNEF	.650 (16.5)	.770 (19.6)	.770 (19.6)	
						11 [B]						M15 x 1 - 6H	.770 (19.6)	.820 (20.8)		1.060 (26.9)
10								12 [13]				5/8 - 24 UNEF	.770 (19.6)	.770 (19.6)	.890 (22.6)	.820 (20.8)
							10 [B]					5/8 - 28 UN	.770 (19.6)	.890 (22.6)		
		12	12	12 [13]					12	12		11/16 - 24 UNEF	.840 (21.3)	.890 (22.6)	1.020 (25.9)	.940 (23.8)
						13 [C]						M18 x 1 - 6H	.890 (22.6)	.940 (23.9)		1.170 (29.7)
[7]	12		12		11 [A]			14 [15]				3/4 - 20 UNEF	.970 (24.6)	.940 (23.9)	1.020 (25.9)	.940 (23.8)
		14	14	14 [15]					14	14		13/16 - 20 UNEF	.970 (24.6)	1.020 (29.2)	1.150 (29.2)	1.060 (26.9)
						15 [D]						M22 x 1 - 6H	1.030 (26.2)	1.070 (26.2)		1.290 (32.7)
[12]	14				13 [B]			16 [17]				7/8 - 20 UNEF	1.090 (27.7)	1.020 (25.9)	1.150 (29.2)	1.060 (26.9)
							14 [D]					7/8 - 28 UN	1.030 (26.2)	1.150 (29.2)		
		16	16	16 [17]					16	16		15/16 - 20 UNEF	1.090 (27.7)	1.150 (29.2)	1.260 (32.0)	1.170 (29.7)
						17 [E]						M25 x 1 - 6H	1.150 (29.2)	1.210 (30.7)		1.420 (36.1)
[19]	16				15 [C]			18				1 - 20 UNEF	1.220 (29.2)	1.210 (30.7)	1.230 (31.2)	1.170 (29.7)
								16 [E]				1 - 28 UN	1.150 (29.2)	1.360 (34.5)		
[27]		18	18	18 [19]					18	18		1 1/16 - 18 UNEF	1.220 (31.0)	1.230 (31.2)	1.400 (35.6)	1.290 (32.7)
												M28 x 1 - 6H	1.280 (32.5)	1.360 (34.5)		1.540 (39.1)
		18				17 [D]			20			1 1/8 - 18 UNEF	1.340 (34.0)	1.360 (34.5)	1.360 (34.5)	
								18 [F]				1 1/8 - 28 UN	1.280 (32.5)	1.480 (37.6)		
[37]		20	20	20 [21]					20	20		1 3/16 - 18 UNEF	1.340 (34.0)	1.360 (34.5)	1.530 (38.9)	1.420 (36.0)
						21 [G]						M31 x 1 - 6H	1.410 (35.8)	1.480 (37.6)		1.670 (42.4)
		20			19 [E]				22			1 1/4 - 18 UNEF	1.470 (37.3)	1.530 (38.9)	1.480 (37.6)	
								20 [G]				1 1.4 - 28 UN	1.410 (35.8)	1.600 (40.6)		
22		22	22	22 [23]					22	22		1 5/16 - 18 UNEF	1.470 (37.3)	1.480 (37.6)	1.600 (40.6)	1.540 (39.1)
						23 [H]						M34 x 1 - 6H	1.530 (38.9)	1.600 (40.6)		2.010 (51.1)
		22						24				1 3/8 - 18 UNEF	1.590 (40.4)		1.600 (40.6)	
							22 [H]					1 3/8 - 28 UN	1.530 (38.9)	1.730 (43.9)		
24		24	24	24 [25]	23 [F]				24	24		1 7/16 - 18 UNEF	1.590 (40.4)	1.730 (43.9)	1.940 (49.3)	1.660 (42.2)
						25 [J]						M37 x 1 - 6H	1.660 (42.2)	1.700 (43.2)		2.120 (53.8)
61												1 1/2 - 18 UNEF	1.660 (42.2)	1.670 (42.4)		
								24 [J]				1 1/2 - 28 UN	1.660 (42.2)	1.940 (49.3)		
					25 [G]							1 9/16 - UNEF		1.820 (46.2)		
		24						28				1 5/8 - UNEF	1.840 (46.7)		1.940 (49.3)	
28												1 3/4 - 18 UNS	1.970 (50.0)	1.970 (50.0)		2.010 (51.1)
		28			29 [H]			32				1 7/8 - 16 UN	2.090 (53.1)	2.190 (55.6)	2.190 (55.6)	
32												2 - 18 UNS	2.280 (57.9)	2.220 (56.4)		2.260 (57.4)
		32			33 [J]							2 1/16 - 16 UNS	2.340 (59.4)	2.440 (62.0)	2.440 (62.0)	
								36				2 1/8 - 16 UN	2.340 (59.4)		2.440 (62.0)	
36												2 1/4 - 16 UN	2.530 (64.3)	2.47 (62.7)		2.530 (64.3)
		36										2 5/16 - 16 UNS	2.590 (65.8)		2.690 (68.3)	
								40				2 3/8 - 16 UN	2.590 (65.8)		2.690 (68.3)	
40												2 1/2 - 16 UN	2.780 (70.6)	2.720 (69.1)		3.040 (77.2)
		40										2 5/8 - 16 UN	2.910 (73.9)		2.930 (74.4)	
44												2 3/4 - 16 UN	3.030 (77.0)	2.970 (75.4)		
		44										2 7/8 - 16 UN	3.160 (80.3)			
48												3 - 16 UN	3.220 (81.8)	3.220 (81.8)		
48												3 1/16 - 16 UN	3.410 (86.6)			

\* Code C, MIL-C-22992, Left-Hand Thread. Connector designations depicted thus [ ] are for reference only and are not to be used in part number development.

**BACKSHELL INTERFACE STANDARDS**

DESIG. SPEC.	SERIES	DESIG. SPEC.	SERIES	DESIG. SPEC.	SERIES	DESIG. SPEC.	SERIES
A	MIL-DTL-5015 MS3400	A	PATT 602	G	MIL-C-28840	L	EN3372
	MIL-DTL-26482 2	B	MIL-DTL-5015 MS3100	H	MIL-DTL-38999 III & IV		JN 1003
	AS81703 3	C	MIL-C-22992 MS173XX		EN3645		LN 29729
	MIL-DTL-83723 I & III	D	MIL-DTL-26482 1	J	MIL-C-81511 1, 2, 3 & 4		NFC93422 HE306
	40M39569	E	MIL-DTL-26500 Aluminum		VG95329		PAN 6433-2
	DEF 5326-3	F	MIL-DTL-38999 I & II	K	MIL-DTL-83723 I		PATT 615
	EN 2997, 3646		40M38277				VG 96912
	ESC 10, 11		PAN 6433-1			S	PATT 105
	LN 29504		PATT 614				PATT 603
	NFC93422 HE302		PATT 616				PATT 608
	PAN 6432-1, -2		NFC93422 HE308, 9				

Dimensions in inches (millimeters) and are subject to change without notice.

CAGE Code 06324

Printed in U.S.A.

# Series 77 Shrink Boots Shrink Boot Adapter Materials and Finishes



Table II: Metal Adapter Plating Codes

SYM	MATERIAL and FINISH
C*	Aluminum, Black Anodize
NF	Aluminum, Cadmium, Olive Drab Over Electroless Nickel
G2*	Aluminum, Anodize, Hardcoat
Z1	Stainless Steel, Passivated
M	Aluminum, Electroless Nickel Plated
E	Aluminum, Chem Film
AL	Aluminum, Pure Dense Aluminum (AlumiPlate <sup>SM</sup> )
M	Aluminum, Electroless Nickel
MT	Aluminum, Nickel-PTFE
UCR	Aluminum, Zinc Colbalt, Black
B	Aluminum, Cadmium Plated, Olive Drab
ZN	Aluminum, Zinc-Nickel, Olive Drab

Composite Adpater Plating Codes

SYM	FINISH
XO	No Plating, Natural
XB	No Plating, Black
XZN	Conductive, Zinc Nickel, Black
XM	Conductive, Electroless Nickel
XMT	Conductive, Ni-PTFE 1000 Hour Grey <sup>TM</sup>
XW	Conductive, Cadmium O.D. Over Electroless Nickel

\*Non-Conductive finish — not suitable for EMI or grounding applications.

Composite Plating Code Cross-Reference

Glenair Finish	MIL-DTL-38999	AS85049
XM	M	M
XW	J	J
XMT		XC

The following standard materials are used for the majority of Glenair backshells and connector accessories. However, backshell components are not limited to those items listed, but are representa-

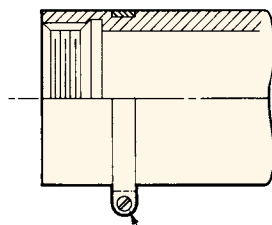
tive of the elements used in Glenair's general accessory products. Contact Glenair for applicable specifications on items not listed below.

## STANDARD MATERIALS - BACKSHELLS AND ACCESSORIES

COMPONENT	MATERIAL	SPECIFICATION
Machined components: such as backshell bodies, fabricated elbows, protective covers, rotatable couplers, dummy stowage receptacles, lock nuts, G-spring support rings, EMI ground rings, grommet followers, etc.	Aluminum	QQ-A-200, 225 ASTMB211, 221
Die cast components: such as angular backshells, strain relief backshells, strain relief bodies, strain relief saddles, special EMI ground rings, etc.	Aluminum	ASTM B179 ASTM B85
Backshells or strain reliefs: available in optional corrosion resisting steel; and hardware: such as screws, washers, rivets, wire rope, sash chain, band straps, etc.	Corrosion Resisting Steel	ASTM A581, 582 ASTM A276
Elastomeric seals: such as O-rings, cable jacket seals, grommets, etc.	Silicone	ZZ-R-765
Anti-friction and thrust washers	Teflon	
Anti-rotation device	Corrosion Resistant Material	

## BODY STRAP

Glenair offers an optional stainless steel body strap for attaching protective covers as illustrated. To specify body strap, add suffix letter C to the end of the part number. For example 360AS001M1610M6C.



2-56 Screw and Nut

## NOTES

On all length callouts, tolerance is  $\pm .060$  unless otherwise specified.

Unless otherwise specified, the following other dimensional tolerances will apply:

- .xx =  $\pm .03$  (0.8)
- .xxx =  $\pm .015$  (0.4)
- Lengths =  $\pm .060$  (1.52)
- Angles =  $\pm 5^\circ$

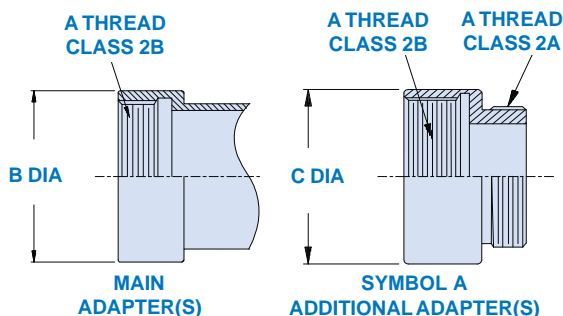
Metric dimensions (mm) are indicated in parentheses

Dimensions in inches (millimeters) and are subject to change without notice.

# MIL-DTL-5015 Connector Fittings Interface Dimensions (MS3100 Series)

## MS3100 SERIES MANUFACTURER DESIGNATIONS

Dash Number	Shell Size	Connector Manufacturer Designation	See Note 1	A Thread Class 2B	B Dia Max	C Dia Max
01	8S	A	1	7/16- 28 UNEF	.656 (16.7)	.625 (15.9)
02	8S	J, M, N,	2	7/16- 28 UNEF	.656 (16.7)	.625 (15.9)
03	8S	L	3	3/8 - 32 UNEF	.607 (15.4)	.562 (14.3)
04	8S	H	3	7/16- 27 UNS	.656 (16.7)	.625 (15.9)
05	10S	A	1	1/2 - 28 UNEF	.724 (18.4)	.687 (17.4)
06	10S	H, J, L, N	2	1/2 - 28 UNEF	.724 (18.4)	.687 (17.4)
07	10S	M	3	9/16- 24 UNEF	.724 (18.4)	.687 (17.4)
08	10SL	A	1	9/16- 24 UNEF	.724 (18.4)	.687 (17.4)
09	10SL	M, N	2	9/16- 24 UNEF	.724 (18.4)	.687 (17.4)
10	10SL	H, J, L	3	5/8 - 24 UNEF	.848 (21.5)	.812 (20.6)
11	12, 12S	A	1	5/8 - 24 UNEF	.848 (21.5)	.812 (20.6)
12	12, 12S	L, N	2	5/8 - 24 UNEF	.848 (21.5)	.812 (20.6)
13	12, 12S	H, J, M	3	11/16- 24 UNEF	.848 (21.5)	.812 (20.6)
14	12SL, 14, 14S	A	2	3/4 - 20 UNEF	.974 (24.7)	.937 (23.8)
15	16, 16S	A	2	7/8 - 20 UNEF	1.102 (28.0)	1.062 (27.0)
16	18	A	2	1 - 20 UNEF	1.220 (31.0)	1.187 (30.1)
17	20	A	1	1 1/8 - 18 UNEF	1.343 (34.1)	1.312 (34.1)
18	20	H,L,M,N	2	1 1/8 - 18 UNEF	1.343 (34.1)	1.312 (33.3)
19	20	J	3	1 1/8 - 24 UNS	1.343 (34.1)	1.312 (33.3)
20	22	A	2	1 1/4 - 18 UNEF	1.343 (34.1)	1.437 (36.5)
21	24	A	2	1 3/8 - 18 UNEF	1.468 (37.3)	1.562 (39.7)
22	28	A	2	1 5/8 - 18 UNEF	1.593 (40.5)	1.812 (46.0)
23	32	A	1	1 7/8 - 16 UN	2.125 (54.0)	2.062 (52.4)
24	32	L, M, N	2	1 7/8 - 16 UN	2.125 (54.0)	2.062 (52.4)
25	32	H, J	3	1 29/32- 18 UNS	2.125 (54.0)	2.062 (52.4)
26	36	A	1	2 1/8 - 16 UN	2.375 (60.3)	2.312 (58.7)
27	36	M, N	2	2 1/8 - 16 UN	2.375 (60.3)	2.312 (58.7)
28	36	L	3	2 1/16- 16 UNS	2.375 (60.3)	2.312 (58.7)
29	36	J	3	2 1/16- 20 UNEF	2.375 (60.3)	1.312 (33.3)
30	36	H	3	2 1/8 - 18 UNS	2.375 (60.3)	2.312 (58.7)
31	40	A	1	2 3/8 - 16 UN	2.625 (66.7)	2.562 (65.1)
32	40	H, M, N	2	2 3/8 - 16 UN	2.625 (66.7)	2.562 (65.1)
33	40	L	3	2 5/16- 16 UNS	2.625 (66.7)	2.562 (65.1)
34	44	A	2	2 5/8 - 16 UN	2.906 (73.8)	2.875 (73.0)
35	48	A	1	2 7/8 - 16 UN	3.156 (80.2)	3.125 (79.4)
36	48	H	2	2 7/8 - 16 UN	3.156 (80.2)	3.125 (79.4)
37	48	N	3	2 13/16- 18 UNS	3.156 (80.2)	3.125 (79.4)



1. If the specific manufacturer is not known, order symbol A and corresponding dash number, for MS universal fit.
2. Symbol A mates with all connectors for each shell size.
3. Additional transition adapters may be supplied with symbol A for each shell size, as noted.

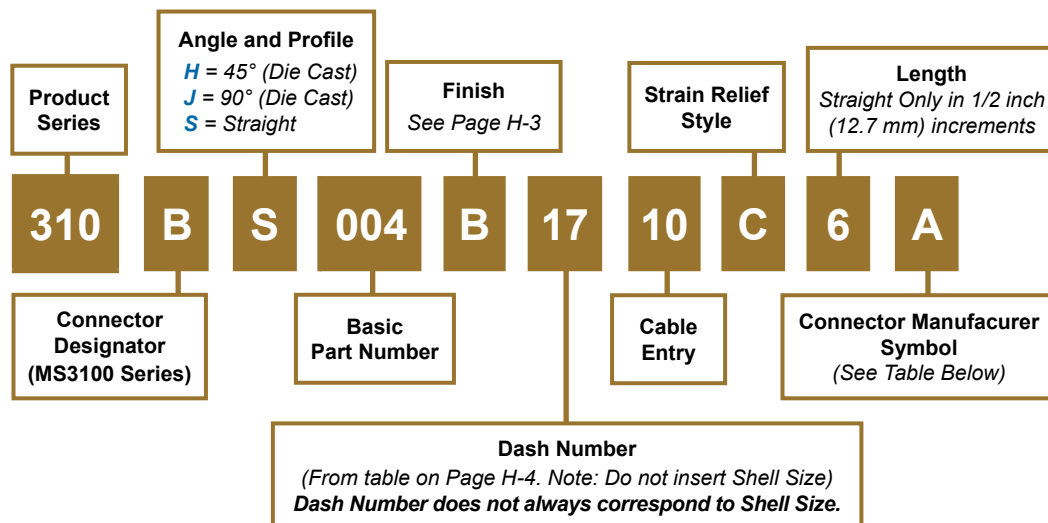
# Connector Designator "B" Ordering Information MIL-DTL-5015 Connector Fittings (MS3100 Series)



## How to Order Backshells for Mil-DTL-5015 (MS3100 Series) Connectors

The threads and interface dimensions on MIL-DTL-5015 solder-type connectors are unfortunately not standardized from one manufacturer to the next. As a result, there is limited interchangeability in many shell sizes and service classes amongst available MS3100 Series products. When ordering backshells for 5015 connectors it is therefore necessary to treat each connector manufacturer's product separately to ensure optimum compatibility of the backshell-to-connector interface. This is accomplished in two steps: (1) Use the connector designator "B" in the normal place in the part number to indicate to the factory that a MIL-DTL-5015 (MS3100 Series) connector is being used; and (2) Use an additional connector manufacturer symbol, as shown in the part number development example below, to indicate whose MIL-DTL-5015 product you are using. Connector manufacturer symbols for 5015 products are shown in the table below and pertinent connector fitting interface information is given on page H-4.

Please Note: For proper use of Glenair backshells with MS3100 Series connectors, discard all rear hardware, including wire seal grommets, normally supplied with the connector. (This information does not apply to endbell extenders commonly supplied with MS3100A Series connectors.)



MIL-DTL-5015 CONNECTOR MANUFACTURER SYMBOLS			
SYMBOL	MANUFACTURER	CONNECTOR SERIES	CLASS
A	All	MS3100, 01, 06	A/E/F/R
H	Amphenol	MS3100, 01, 06 97 Series Blue Insert	A
J		MS3100, 01, 06	E/F/R
L	Amphenol/BCO	MS3100, 01, 06 10-214, 10-720 10-721, 10-726	A/E/F/R
M	Cannon	MS3100, 01, 06	A
N	Cannon	MS3100, 01, 063 CA00, 01, 06	E/F/R

Dimensions in inches (millimeters) and are subject to change without notice.

CAGE Code 06324

Printed in U.S.A.

## CONNECTOR DESIGNATOR:

<b>A</b>	MIL-DTL-5015, -26482, Series II and -83723 Series I and III
<b>F</b>	MIL-DTL-38999 Series I, II
<b>G*</b>	MIL-DTL-28840
<b>H</b>	MIL-DTL-38999 Series III and IV
<b>J*</b>	MIL-DTL-81511 Series I, II, III & IV
<b>L</b>	LN29729
<b>S</b>	PATT 105, PATT 603, PATT 608

## ROTATABLE COUPLING

\*For connector designators G and J, please consult the factory for 45° and 90° configurations

## Finish

**B** = Cadmium Plate, Olive Drab  
**C** = Anodize, Black  
**G** = Hard Coat, Anodic  
**M** = Electroless Nickel  
**NF** = Cadmium Plate, Olive Drab over Electroless Nickel  
 (See Page H-3)

## Angle and Profile

**H** = 45°  
**J** = 90°  
**S** = Straight

## Product Series

310

## Connector Designator

F

## Basic Part Number

S 001

## Shell Size

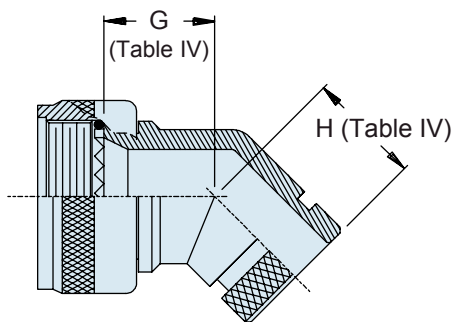
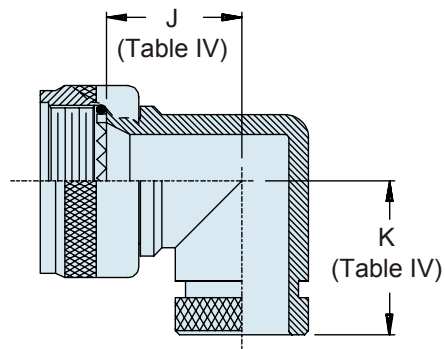
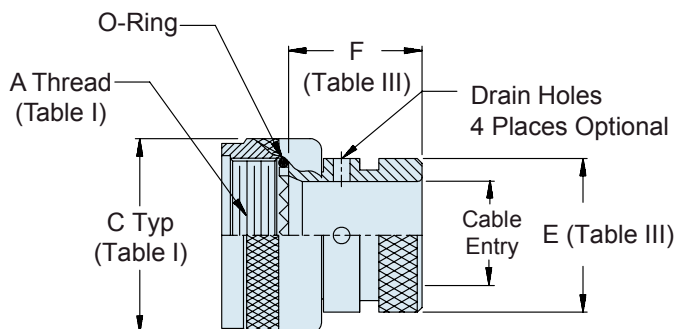
M 16

Shrink Boot  
See Table III  
(Omit for None)

D T

Drain Hole Option  
(Omit for None)

Add "T" to Part Number for Standard Boot



## APPLICATION NOTES

1. See Backshell Interface Dimensions and Standards on Page H-4.
2. O-Rings not supplied with drain hole option.
3. O-Rings not supplied with Connector Designators A and G.

Dimensions in inches (millimeters) and are subject to change without notice.



**310-001**  
**O-Ring Sealed Shrink Boot Adapter**  
**Rotatable Coupling - Standard Profile**



See Pages H-2 and H-3 for unabridged Tables I and II.

<b>TABLE III: Shell Size, Cable Entry, Dimensions and Shrink Boot P/N</b>					
Shell Size - Conn. Desig.		E Max	F Max	Cable Entry Minimum	Shrink Boot Part Number*
A-F-J-L-S	G-H				
08	09	.533 (13.5)	.940 (23.9)	.250 (6.4)	770-003S102
10	11	.605 (15.4)	.940 (23.9)	.355 (9.0)	770-001S103
12	13	.774 (19.7)	.940 (23.9)	.491 (12.5)	770-001S103
14	15	.838 (21.3)	.940 (23.9)	.565 (14.4)	770-001S103
16	17	.963 (24.5)	.940 (23.9)	.690 (17.5)	770-001S104
18	19	1.042 (26.5)	.940 (23.9)	.769 (19.5)	770-001S104
20	21	1.217 (30.9)	.940 (23.9)	.894 (22.7)	770-001S106
22	23	1.355 (34.4)	.940 (23.9)	1.019 (25.9)	770-001S107
24	25	1.443 (36.7)	.940 (23.9)	1.134 (28.8)	770-001S107
28	29	1.709 (43.4)	.940 (23.9)	1.369 (34.8)	770-001S108
32	33	1.919 (48.7)	1.005 (25.5)	1.615 (41.0)	770-001S108

\*Equivalent boot may be supplied in lieu of stated part number.

<b>TABLE IV: Shell Size and Adapter Dimensions</b>					
Shell Size - Conn. Desig.		G Max	H Max	J Max	K Max
A-F-J-L-S	G-H				
08	09	.639 (16.2)	.810 (20.6)	.750 (19.1)	.920 (23.4)
10	11	.664 (16.9)	.840 (21.3)	.810 (20.6)	.980 (24.9)
12	13	.688 (17.5)	.860 (21.8)	.870 (22.1)	1.040 (26.4)
14	15	.705 (17.9)	.890 (22.6)	.920 (23.4)	1.110 (28.2)
16	17	.732 (18.6)	.910 (23.1)	.980 (24.9)	1.170 (29.7)
18	19	.748 (19.0)	.920 (23.4)	1.020 (25.9)	1.190 (30.2)
20	21	.773 (19.6)	.940 (23.9)	1.080 (27.4)	1.250 (31.8)
22	23	.800 (20.3)	.980 (24.9)	1.140 (29.0)	1.330 (33.8)
24	25	.823 (20.9)	1.010 (25.7)	1.200 (30.5)	1.400 (35.6)
28	29	1.041 (26.4)	1.180 (30.0)	1.480 (37.6)	1.640 (41.7)
32	33	1.092 (27.7)	1.370 (34.8)	1.610 (40.9)	1.880 (47.8)

Dimensions in inches (millimeters) and are subject to change without notice.

CAGE Code 06324

Printed in U.S.A.



310-034

## O-Ring Sealed Shrink Boot Adapter Direct Coupling - Standard Profile

## CONNECTOR DESIGNATOR:

<b>A</b>	MIL-DTL-5015, -26482, Series II and -83723 Series I and III
<b>B*</b>	MIL-DTL-5015
<b>C</b>	MIL-DTL-2292
<b>D</b>	MIL-DTL-26482
<b>E</b>	MIL-DTL-26500
<b>F</b>	MIL-DTL-38999 Series I, II
<b>G</b>	MIL-DTL-28840
<b>H</b>	MIL-DTL-38999 Series III and IV
<b>J</b>	MIL-DTL-81511 Series I, II, III & IV
<b>K</b>	MIL-DTL-83723 Series II
<b>L</b>	LN29729
<b>S</b>	PATT 105, PATT 603, PATT 608

## DIRECT COUPLING

\*When using Designator B, refer to Pages H-4 and H-5

## Finish

**B** = Cadmium Plate, Olive Drab  
**C** = Anodize, Black  
**G** = Hard Coat, Anodic  
**M** = Electroless Nickel  
**NF** = Cadmium Plate, Olive Drab over Electroless Nickel  
 (See Page H-3)

## Angle and Profile

**H** = 45°  
**J** = 90°  
**S** = Straight

Product Series

310

D

S

034

M

16

T

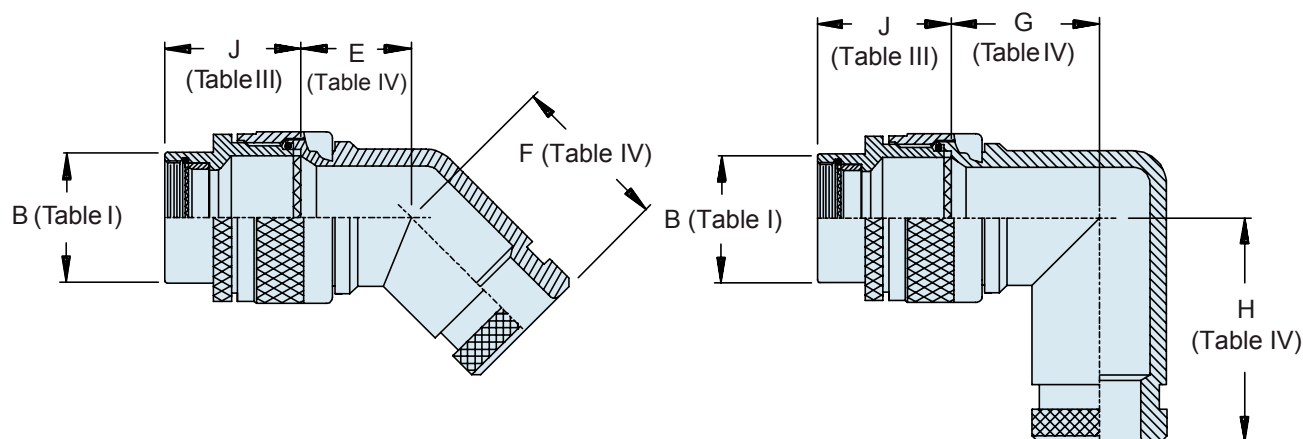
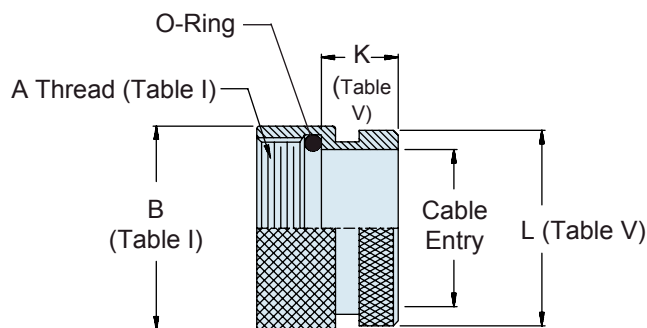
Connector Designator

Basic Part Number

Shell Size

Shrink Boot  
See Table III  
(Omit for None)

Add "T" to Part Number  
for Standard Boot



## APPLICATION NOTES

1. Cable Entry is defined as the accommodation range for the wire bundle or cable. Dimensions shown are not intended for inspection criteria.
2. See Backshell Interface Dimensions and Standards on Page H-4.
3. When using Connector Designator B refer to pages H-4 and H-5 for part number development.

Dimensions in inches (millimeters) and are subject to change without notice.

CAGE Code 06324

Printed in U.S.A.

© 2011 Glenair, Inc.

GLENAIR, INC. • 1211 AIR WAY • GLENDALE, CA 91201-2497 • 818-247-6000 • FAX 818-500-9912

www.glenair.com

H-8

E-Mail: sales@glenair.com

**310-034**  
**O-Ring Sealed Shrink Boot Adapter**  
**Direct Coupling - Standard Profile**



See Pages H-2 and H-3 for unabridged Tables I and II.

TABLE III: Front Adapter			
Shell Size	J Max - Connector Designator		C
	A-E-F-J-H-S	D-B-G-K	
08/09	1.180 (30.0)	1.250 (31.8)	–
10/11	1.180 (30.0)	1.250 (31.8)	–
12/13	1.180 (30.0)	1.250 (31.8)	1.735 (44.1)
14/15	1.180 (30.0)	1.250 (31.8)	1.915 (48.6)
16/17	1.380 (35.0)	1.560 (39.6)	1.915 (48.6)
18/19	1.380 (35.0)	1.560 (39.6)	1.915 (48.6)
20/21	1.380 (35.0)	1.560 (39.6)	1.915 (48.6)
22/23	1.380 (35.0)	1.560 (39.6)	1.915 (48.6)
24/25	1.380 (35.0)	1.560 (39.6)	1.915 (48.6)
28/29	1.610 (40.9)	1.560 (39.6)	1.915 (48.6)
32/33	1.610 (40.9)	1.750 (44.5)	1.915 (48.6)
36	1.610 (40.9)	1.750 (44.5)	1.915 (48.6)
40	1.610 (40.9)	2.190 (55.6)	1.915 (48.6)

TABLE IV: Dimensions				
Shell Size	E Max	F Max	G Max	H Max
08/09	.639 (16.2)	.810 (20.6)	.750 (19.1)	.920 (23.4)
10/11	.664 (16.9)	.840 (21.3)	.810 (20.6)	.980 (24.9)
12/13	.688 (17.5)	.860 (21.8)	.870 (22.1)	1.040 (26.4)
14/15	.705 (17.9)	.890 (22.6)	.920 (23.4)	1.110 (28.2)
16/17	.732 (18.6)	.910 (23.1)	.980 (24.9)	1.170 (29.7)
18/19	.748 (19.0)	.920 (23.4)	1.020 (25.9)	1.190 (30.2)
20/21	.773 (19.6)	.940 (23.9)	1.080 (27.4)	1.250 (31.8)
22/23	.800 (20.3)	.980 (24.9)	1.140 (29.0)	1.330 (33.8)
24/25	.823 (20.9)	1.010 (25.7)	1.200 (30.5)	1.400 (35.6)
28	1.041 (26.4)	1.180 (30.0)	1.480 (37.6)	1.640 (41.7)
32	1.092 (27.7)	1.370 (34.8)	1.610 (40.9)	1.880 (47.8)
28	1.041 (26.4)	1.180 (30.0)	1.480 (37.6)	1.640 (41.7)
32	1.092 (27.7)	1.370 (34.8)	1.610 (40.9)	1.880 (47.8)

TABLE V: Shell Size, Cable Entry, Dimensions and Shrink Boot Part Numbers				
Shell Size	K Max	L Max	Cable Entry Minimum	Shrink Boot Part Number
08	.500 (12.7)	.688 (17.5)	.250 (6.4)	770-001S103
10/11	.500 (12.7)	.803 (20.4)	.355 (9.0)	770-001S103
12/13	.500 (12.7)	.938 (23.8)	.491 (12.5)	770-001S104
14/15	.500 (12.7)	1.063 (27.0)	.565 (14.4)	770-001S104
16/17	.500 (12.7)	1.238 (31.4)	.690 (17.5)	770-001S106
18	.500 (12.7)	1.310 (33.3)	.769 (19.5)	770-001S106
20	.500 (12.7)	1.436 (36.5)	.844 (21.4)	770-001S107
22	.500 (12.7)	1.560 (39.6)	1.019 (25.9)	770-001S107
24	.500 (12.7)	1.686 (42.8)	1.134 (28.8)	770-001S108
28	.687 (17.4)	2.062 (52.4)	1.369 (34.8)	770-001S108
32	.687 (17.4)	2.312 (58.7)	1.615 (41.0)	770-001S109
36	.687 (17.4)	2.562 (65.1)	1.830 (46.5)	Consult Factory
40	.687 (17.4)	2.812 (71.4)	2.045 (51.9)	Consult Factory

Dimensions in inches (millimeters) and are subject to change without notice.

CAGE Code 06324

Printed in U.S.A.

# Lamp-Base Thread EMI/RFI Shrink Boot Adapter with Strain Relief and Optional Shrink Boot Rotatable Coupling - Low Profile

## CONNECTOR DESIGNATOR:

<b>A</b>	MIL-DTL-5015, -26482, Series II and -83723 Series I and III
<b>F</b>	MIL-DTL-38999 Series I, II
<b>J</b>	MIL-DTL-81511 Series I, II, III & IV
<b>L</b>	LN29729
<b>S</b>	PATT 105, PATT 603, PATT 608

## ROTATABLE COUPLING

## Angle and Profile

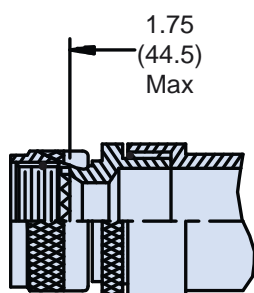
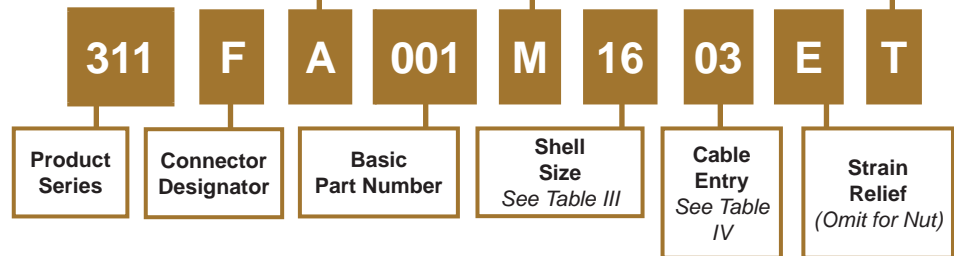
$H = 45^\circ$   
 $J = 90^\circ$   
 $S = \text{Straight}$

## Finish

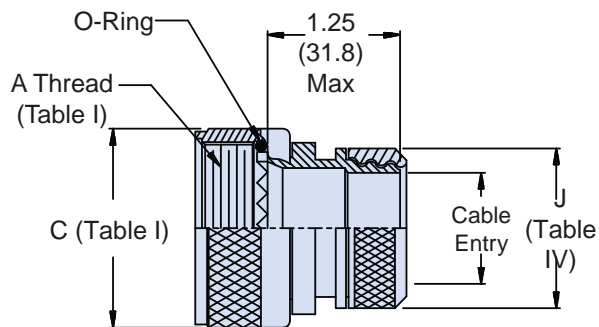
$B = \text{Cadmium Plate, Olive Drab}$   
 $C = \text{Anodize, Black}$   
 $G = \text{Hard Coat, Anodic}$   
 $M = \text{Electroless Nickel}$   
 $NF = \text{Cadmium Plate, Olive Drab over Electroless Nickel}$   
(See Page H-3)

## Shrink Boot

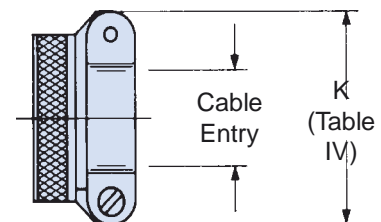
See Table IV  
(Omit for None)



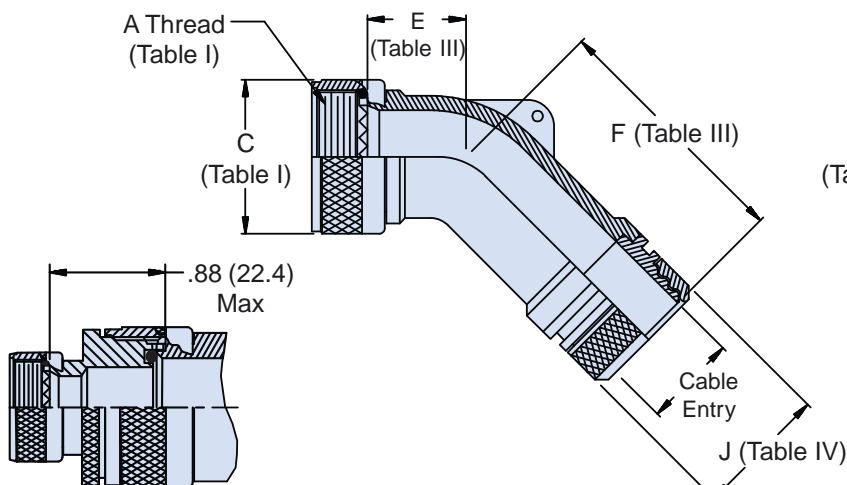
STYLE 2  
STRAIGHT



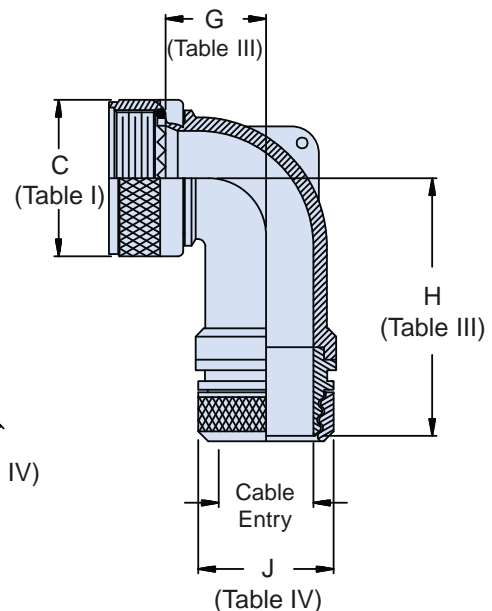
Add "T" to Part Number for Standard Boot



STYLE E  
STRAIN RELIEF



STYLE 2  
45° & 90°



Dimensions in inches (millimeters) and are subject to change without notice.

CAGE Code 06324

Printed in U.S.A.

# Lamp-Base Thread EMI/RFI Shrink Boot Adapter with Strain Relief and Optional Shrink Boot Rotatable Coupling - Low Profile



See Pages H-2 and H-3 for unabridged Tables I and II, and Pages H-4 and H-5 for MIL-DTL-5015

**TABLE III: Connector Designators and Dimensions**

Shell Size - Conn. Desig. A-F-J-L-S	H	E Max	F Max	G Max	H Max
08	09	.457 (11.6)	1.630 (41.4)	.500 (12.7)	1.640 (41.7)
10	11	.520 (13.2)	1.690 (42.9)	.595 (15.1)	1.760 (44.7)
12	13	.582 (14.8)	1.750 (44.5)	.610 (15.5)	1.780 (45.2)
14	15	.645 (16.4)	1.840 (46.7)	.700 (17.8)	1.850 (47.0)
16	17	.738 (18.7)	1.950 (49.5)	.885 (22.5)	1.940 (49.3)
18	19	.926 (23.5)	2.140 (54.4)	.975 (24.8)	2.110 (53.6)
20	21	.926 (23.5)	2.140 (54.4)	.975 (24.8)	2.110 (53.6)
22	23	1.020 (25.9)	2.290 (58.2)	1.125 (28.6)	2.220 (56.4)
24	25	1.020 (25.9)	2.290 (58.2)	1.125 (28.6)	2.220 (56.4)
28		1.145 (29.1)	2.340 (59.4)	1.225 (31.1)	2.390 (60.7)
32		1.207 (30.7)	2.440 (62.0)	1.575 (40.0)	2.640 (67.1)
36		1.238 (31.4)	2.530 (64.3)	1.775 (45.1)	2.640 (67.1)

**TABLE IV: Cable Entry, Dimensions and Shrink Boot**

Dash No.	J Max	K Max	Cable Entry Max	Shrink Boot Part Number
01	.448 (11.4)	.781 (19.8)	.125 (3.2)	n/a
02	.515 (13.1)	.968 (24.6)	.250 (6.4)	770-001S103
03	.640 (16.3)	1.046 (26.6)	.375 (9.5)	770-001S103
04	.765 (19.4)	1.156 (29.4)	.500 (12.7)	770-001S104
05	.920 (23.4)	1.219 (31.0)	.625 (15.9)	770-001S104
06	1.015 (25.8)	1.343 (34.1)	.750 (19.1)	770-001S105
07	1.140 (29.0)	1.469 (37.3)	.875 (22.2)	770-001S106
08	1.265 (32.1)	1.594 (40.5)	1.000 (25.4)	770-001S106
09	1.432 (36.4)	1.719 (43.7)	1.125 (28.6)	770-001S107
10	1.515 (38.5)	1.844 (46.8)	1.250 (31.8)	770-001S107
11	1.640 (41.7)	n/a	1.375 (34.9)	770-001S108
12	1.765 (44.8)	n/a	1.500 (38.1)	770-001S108
13	2.015 (51.2)	n/a	1.750 (44.5)	770-001S108

## APPLICATION NOTES

1. Cable Entry is defined as the accommodation range for the wire bundle or cable. Dimensions shown are not intended for inspection criteria.
2. See Backshell Interface Dimensions and Standards on Pages H-4 and H-5.
3. When maximum entry is exceeded, Style 2 will be supplied and dimensions E, F, G and H will not apply. Please consult factory.

Dimensions in inches (millimeters) and are subject to change without notice.

CAGE Code 06324

Printed in U.S.A.

© 2011 Glenair, Inc.

**GLENAIR, INC. • 1211 AIR WAY • GLENDALE, CA 91201-2497 • 818-247-6000 • FAX 818-500-9912**

www.glenair.com

**H-11**

E-Mail: sales@glenair.com



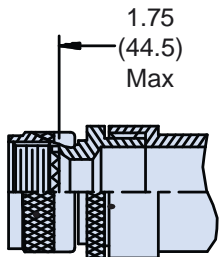
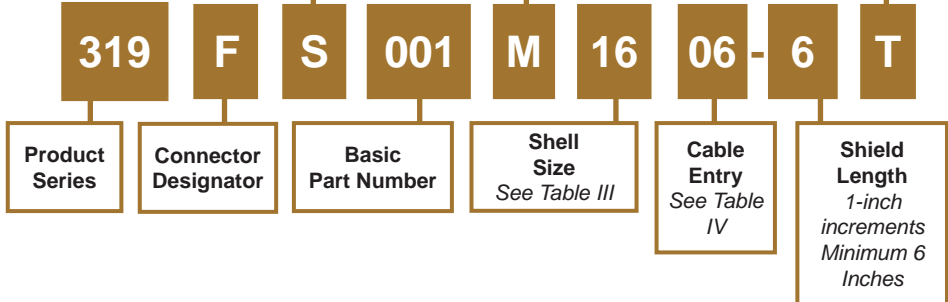
# 319-001 EMI/RFI Shield Sock Shrink Boot Adapter with Optional Shrink Boot Low Profile - Rotatable Coupling

CONNECTOR DESIGNATOR:	
<b>A</b>	MIL-DTL-5015, -26482, Series II and -83723 Series I and III
<b>F</b>	MIL-DTL-38999 Series I, II
<b>H</b>	MIL-DTL-38999 Series III and IV
<b>L</b>	LN29729
<b>S</b>	PATT 105, PATT 603, PATT 608
ROTATABLE COUPLING	

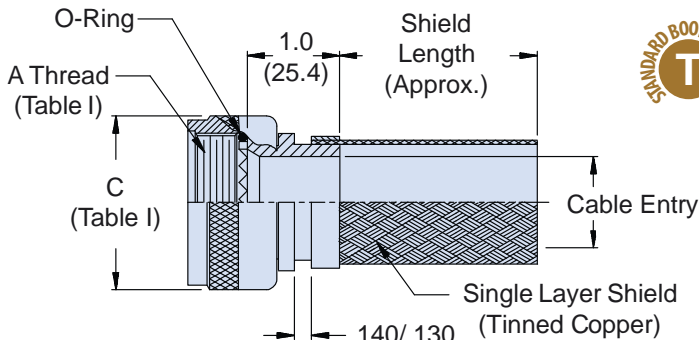
Finish
<b>B</b> = Cadmium Plate, Olive Drab
<b>C</b> = Anodize, Black
<b>G</b> = Hard Coat, Anodic
<b>M</b> = Electroless Nickel
<b>NF</b> = Cadmium Plate, Olive Drab over Electroless Nickel
(See Page H-3)

Angle and Profile
<b>H</b> = 45°
<b>J</b> = 90°
<b>S</b> = Straight

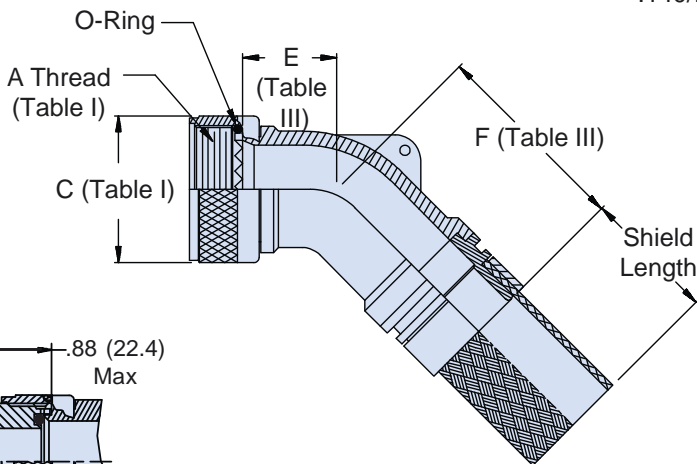
Shrink Boot
See Table IV
(Omit for None)



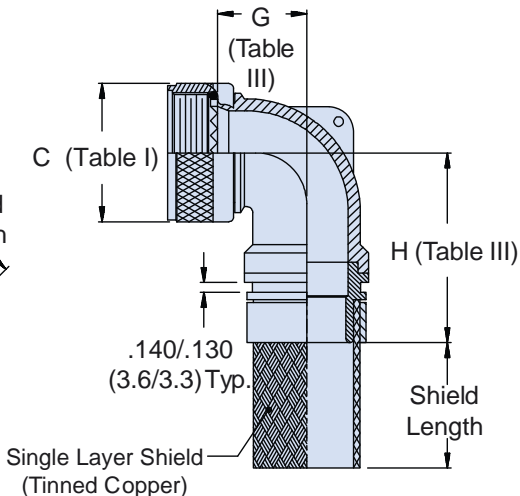
**STYLE 2  
STRAIGHT**



**STANDARD BOOT KIT**  
**T** Add "T" to Part Number for Standard Boot



**STYLE 2  
45° & 90°**



**319-001**  
**EMI/RFI Shield Sock Shrink Boot Adapter**  
 with Optional Shrink Boot  
 Low Profile - Rotatable Coupling



See Pages H-2 and H-3 for unabridged Tables I and II, and Pages H-4 and H-5 for MIL-DTL-5015

**TABLE III: Connector Designators and Dimensions**

Shell Size - Conn. Desig.		E Max	F Max	G Max	H Max
A-F-L-S	H				
<b>08</b>	<b>09</b>	.457 (11.6)	1.710 (43.4)	.500 (12.7)	1.730 (43.9)
<b>10</b>	<b>11</b>	.520 (13.2)	1.770 (45.0)	.595 (15.1)	1.850 (47.0)
<b>12</b>	<b>13</b>	.582 (14.8)	1.830 (46.5)	.610 (15.5)	1.870 (47.5)
<b>14</b>	<b>15</b>	.645 (16.4)	1.920 (48.8)	.700 (17.8)	1.940 (49.3)
<b>16</b>	<b>17</b>	.738 (18.7)	2.030 (51.6)	.885 (22.5)	2.030 (51.6)
<b>18</b>	<b>19</b>	.926 (23.5)	2.220 (56.4)	.975 (24.8)	2.200 (55.9)
<b>20</b>	<b>21</b>	.926 (23.5)	2.220 (56.4)	.975 (24.8)	2.200 (55.9)
<b>22</b>	<b>23</b>	1.020 (25.9)	2.370 (60.2)	1.125 (28.6)	2.310 (58.7)
<b>24</b>	<b>25</b>	1.020 (25.9)	2.370 (60.2)	1.125 (28.6)	2.310 (58.7)
<b>28</b>		1.145 (29.1)	2.420 (61.5)	1.225 (31.1)	2.480 (63.0)
<b>32</b>		1.207 (30.7)	2.520 (64.0)	1.575 (40.0)	2.730 (69.3)
<b>36</b>		1.238 (31.4)	2.610 (66.3)	1.775 (45.1)	2.730 (69.3)

**APPLICATION NOTES**

1. Cable Entry is defined as the accomodation range for the wire bundle or cable. Dimensions shown are not intended for inspection criteria.
2. See Backshell Interface Dimensions and Standards on Pages H-4 and H-5.
3. O-Ring not supplied with Connector Designator A.
4. When maximum entry is exceeded, Style 2 will be supplied and dimensions E, F, G and H will not apply. Please consult factory.

**TABLE IV: Cable Entry, Dimensions and Shrink Boot**

Dash No.	Cable Entry	Shrink Boot Part Number
<b>01</b>	.188 (4.8)	N/A
<b>02</b>	.250 (6.4)	N/A
<b>03</b>	.312 (7.9)	<b>770-001S103</b>
<b>04</b>	.375 (9.5)	<b>770-001S103</b>
<b>05</b>	.438 (11.1)	<b>770-001S103</b>
<b>06</b>	.500 (12.7)	<b>770-001S104</b>
<b>07</b>	.562 (14.3)	<b>770-001S104</b>
<b>08</b>	.625 (15.9)	<b>770-001S104</b>
<b>09</b>	.688 (17.5)	<b>770-001S105</b>
<b>10</b>	.750 (19.1)	<b>770-001S105</b>
<b>11</b>	.812 (20.6)	<b>770-001S105</b>
<b>12</b>	.875 (22.2)	<b>770-001S106</b>
<b>13</b>	.938 (23.8)	<b>770-001S106</b>
<b>14</b>	1.000 (25.4)	<b>770-001S106</b>
<b>15</b>	1.250 (31.8)	<b>770-001S107</b>
<b>16</b>	1.500 (38.1)	<b>770-001S108</b>
<b>17</b>	1.750 (44.5)	<b>770-001S108</b>
<b>18</b>	2.000 (50.8)	<b>770-001S109</b>
<b>19</b>	1.125 (28.6)	<b>770-001S107</b>
<b>20</b>	1.375 (34.9)	<b>770-001S107</b>
<b>21</b>	1.625 (41.3)	<b>770-001S108</b>
<b>22</b>	1.062 (27.0)	<b>770-001S106</b>
<b>23</b>	1.188 (30.2)	<b>770-001S107</b>
<b>24</b>	1.875 (47.6)	<b>770-001S109</b>

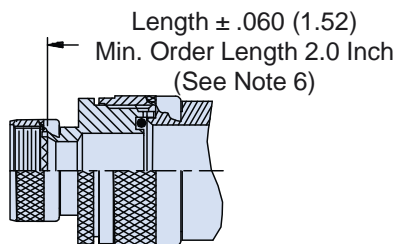
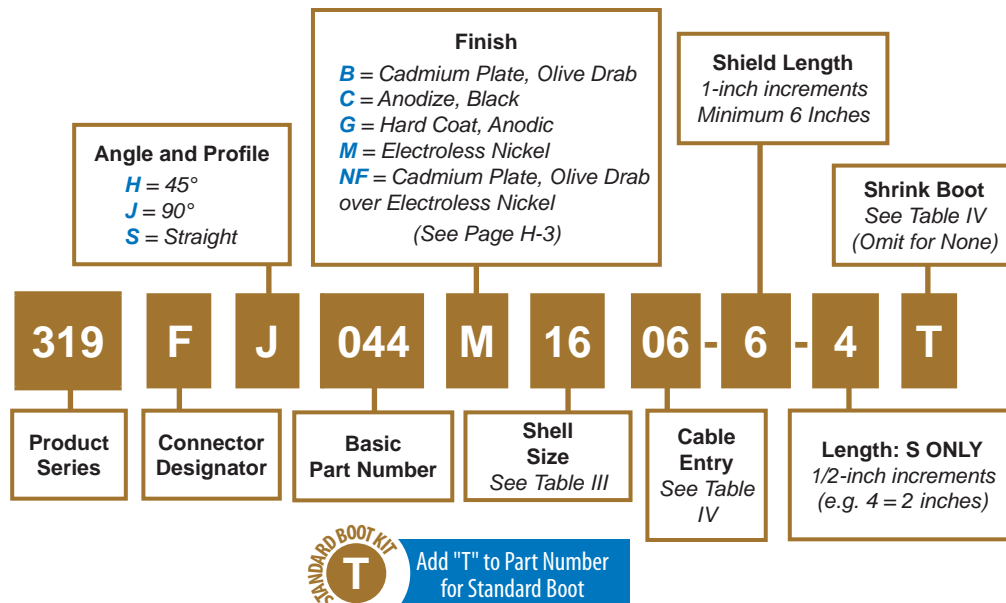
Dimensions in inches (millimeters) and are subject to change without notice.

# 319-044

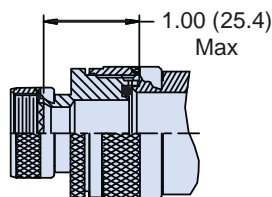
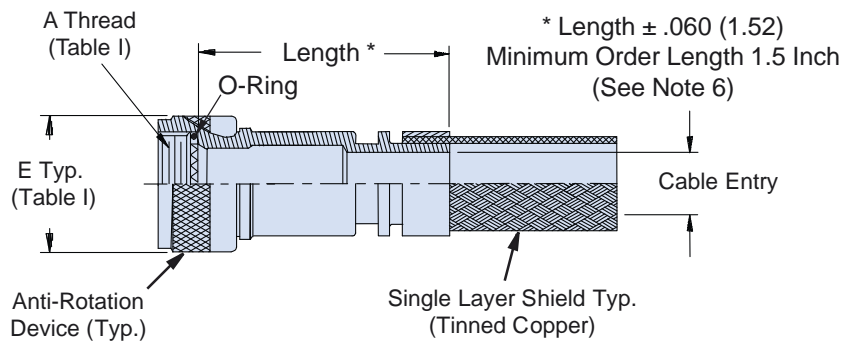
## EMI/RFI Shield Sock Shrink Boot Adapter with Optional Shrink Boot

### Standard Profile - Self Locking - Rotatable Coupling

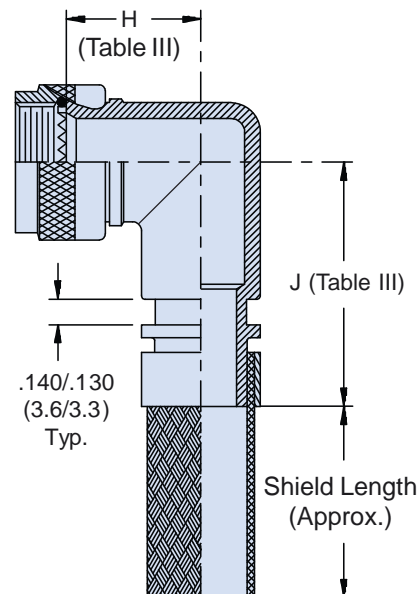
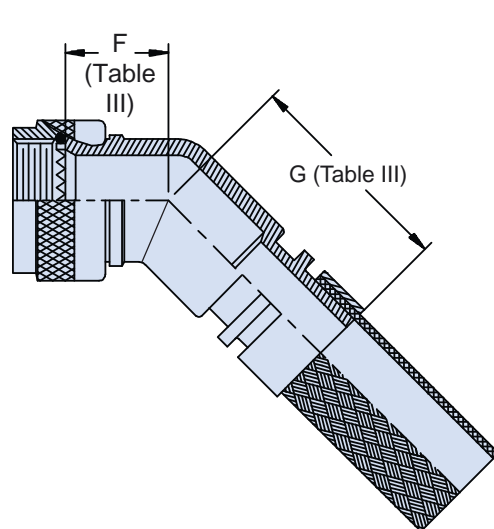
CONNECTOR DESIGNATOR:	
<b>A</b>	MIL-DTL-5015, -26482, Series II and -83723 Series I and III
<b>F</b>	MIL-DTL-38999 Series I, II
<b>H</b>	MIL-DTL-38999 Series III and IV
<b>L</b>	LN29729
<b>S</b>	PATT 105, PATT 603, PATT 608
<b>ROTATABLE COUPLING</b>	
<b>SELF-LOCKING</b>	



**STYLE 2  
(STRAIGHT  
See Note 5)**



**STYLE 2  
(45° & 90°  
See Note 5)**



Dimensions in inches (millimeters) and are subject to change without notice.

CAGE Code 06324

Printed in U.S.A.



**EMI/RFI Shield Sock Shrink Boot Adapter  
with Optional Shrink Boot  
Standard Profile - Self Locking - Rotatable Coupling**



See Pages H-2 and H-3 for unabridged Tables I and II, and Pages H-4 and H-5 for MIL-DTL-5015

**TABLE III: Connector Designators and Dimensions**

Shell Size - Conn. Desig. A-F-L-S	H	F Max	G Max	H Max	J Max
08	09	.986 (25.0)	1.045 (26.5)	1.096 (27.8)	1.155 (29.3)
10	11	1.016 (25.8)	1.075 (27.3)	1.166 (29.6)	1.225 (31.1)
12	13	1.038 (26.4)	1.097 (27.9)	1.226 (31.1)	1.285 (32.6)
14	15	1.056 (26.8)	1.125 (28.6)	1.286 (32.7)	1.345 (34.2)
16	17	1.066 (27.1)	1.145 (29.1)	1.346 (34.2)	1.405 (35.7)
18	19	1.106 (28.1)	1.165 (29.6)	1.396 (35.5)	1.455 (37.0)
20	21	1.136 (28.9)	1.195 (30.4)	1.466 (37.2)	1.525 (38.7)
22	23	1.156 (29.4)	1.215 (30.9)	1.516 (38.5)	1.575 (40.0)
24	25	1.186 (30.1)	1.245 (31.6)	1.586 (40.3)	1.645 (41.8)

**TABLE IV: Cable Entry, Dimensions and Shrink Boot**

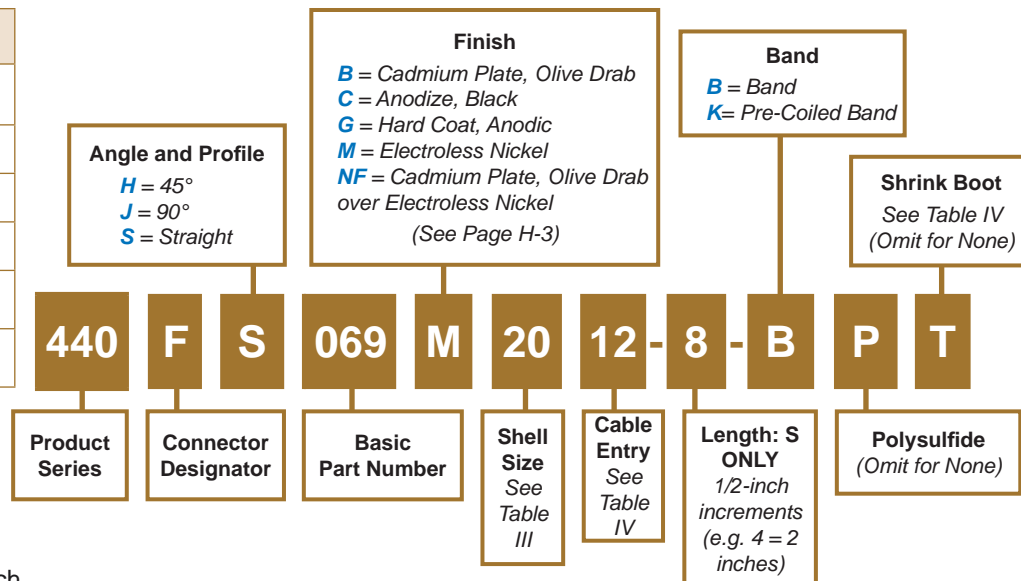
Dash No.	Cable Entry	Shrink Boot Part Number
01	.188 (4.8)	N/A
02	.250 (6.4)	N/A
03	.312 (7.9)	770-001S103
04	.375 (9.5)	770-001S103
05	.438 (11.1)	770-001S103
06	.500 (12.7)	770-001S104
07	.562 (14.3)	770-001S104
08	.625 (15.9)	770-001S104
09	.688 (17.5)	770-001S105
10	.750 (19.1)	770-001S105
11	.812 (20.6)	770-001S105
12	.875 (22.2)	770-001S106
13	.938 (23.8)	770-001S106
14	1.000 (25.4)	770-001S106
15	1.250 (31.8)	770-001S107
16	1.500 (38.1)	770-001S108
17	1.750 (44.5)	770-001S108
18	2.000 (50.8)	770-001S109
19	1.125 (28.6)	770-001S107
20	1.375 (34.9)	770-001S107
21	1.625 (41.3)	770-001S108
22	1.062 (27.0)	770-001S106
23	1.188 (30.2)	770-001S107
24	1.875 (47.6)	770-001S109

**APPLICATION NOTES**

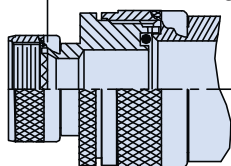
- Cable Entry is defined as the accommodation range for the wire bundle or cable. Dimensions shown are not intended for inspection criteria.
- See Backshell Interface Dimensions and Standards on Pages H-4 and H-5.
- Metric dimensions (mm) noted in parentheses are for reference only.
- O-Ring not supplied with Connector Designator A.
- When maximum entry is exceeded, Style 2 will be supplied and dimensions F, G, H and J will not apply. Please consult factory.
- For shorter lengths on straight backshells, please consult the factory.

Dimensions in inches (millimeters) and are subject to change without notice.

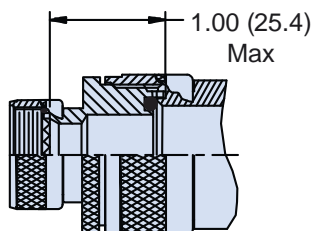
CONNECTOR DESIGNATOR:	
<b>A</b>	MIL-DTL-5015, -26482, Series II and -83723 Series I and III
<b>F</b>	MIL-DTL-38999 Series I, II
<b>H</b>	MIL-DTL-38999 Series III and IV
<b>L</b>	LN29729
<b>ROTATABLE COUPLING</b>	
<b>SELF-LOCKING</b>	



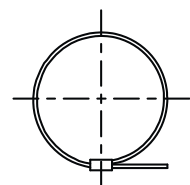
Length ± .060 (1.52)  
Min. Order Length 2.5 inch



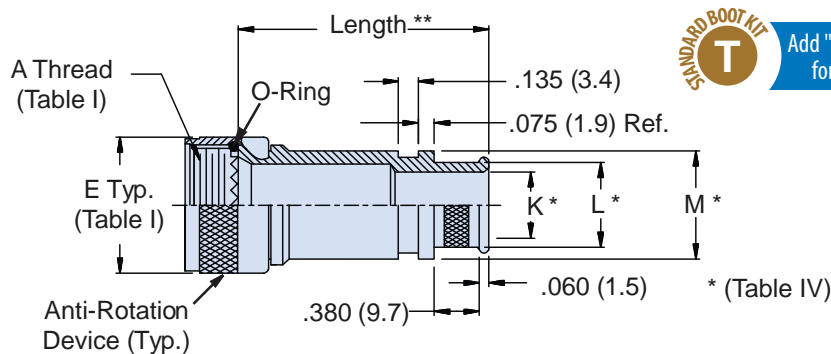
**STYLE 2  
(STRAIGHT)**  
See Note 1)



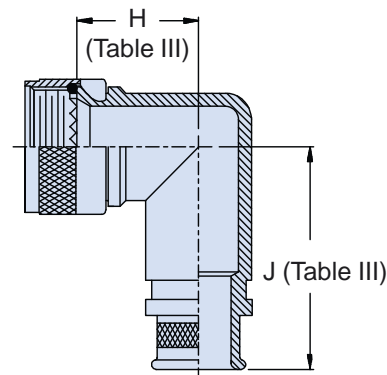
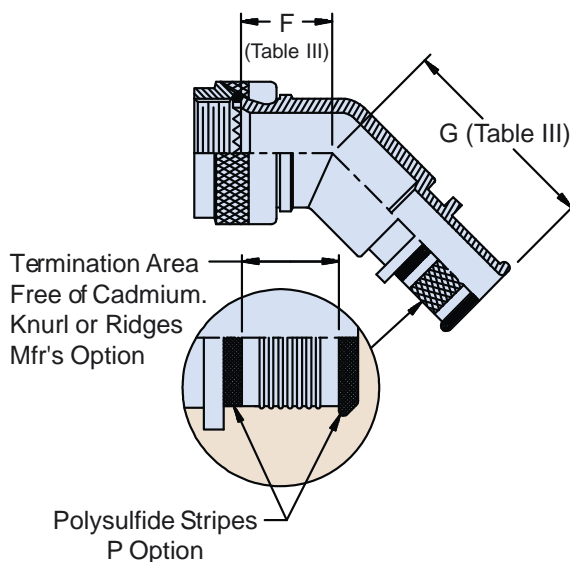
**STYLE 2  
(45° & 90°)**  
See Note 1)



Band Option  
(K Option Shown -  
See Note 6)



Add "T" to Part Number  
for Standard Boot



Dimensions in inches (millimeters) and are subject to change without notice.

CAGE Code 06324

Printed in U.S.A.

See Pages H-2 and H-3 for unabridged Tables I and II, and Pages H-4 and H-5 for MIL-DTL-5015

**TABLE III: Connector Designators and Dimensions**

Shell Size - Conn. Desig. A-F-L	H	F Max	G Max	H Max	J Max
08	09	.806 (20.5)	1.038 (26.4)	.906 (23.0)	1.146 (29.1)
10	11	.832 (21.1)	1.064 (27.0)	.966 (24.5)	1.210 (30.7)
12	13	.856 (21.7)	1.088 (27.6)	1.026 (26.1)	1.268 (32.2)
14	15	.882 (22.4)	1.114 (28.3)	1.076 (27.3)	1.330 (33.8)
16	17	.908 (23.1)	1.150 (29.2)	1.136 (28.9)	1.392 (35.4)
18	19	.927 (23.5)	1.190 (30.2)	1.176 (29.9)	1.438 (36.5)
20	21	.953 (24.2)	1.250 (31.8)	1.236 (31.4)	1.500 (38.1)
22	23	.979 (24.9)	1.320 (33.5)	1.296 (32.9)	1.562 (39.7)
24	25	1.004 (25.5)	1.380 (35.1)	1.356 (34.4)	1.625 (41.3)
28		1.197 (30.4)	1.500 (38.1)	1.422 (36.1)	1.654 (42.0)
32		1.280 (32.5)	1.620 (41.1)	1.545 (39.2)	1.777 (45.1)
36		1.294 (32.9)	1.750 (44.5)	1.652 (42.0)	1.844 (46.8)
40		1.320 (33.5)	1.870 (47.5)	1.960 (49.8)	2.070 (52.6)

**TABLE IV: Cable Entry, Dimensions and Shrink Boot**

Dash No.	K	L	M	Shrink Boot Part Number
01	.125 (3.2)	.250 (6.4)	.312 (7.9)	770-003S111
31	.188 (4.8)	.312 (7.9)	.374 (9.5)	770-003S111
02	.250 (6.4)	.375 (9.5)	.437 (11.1)	770-003S112
32	.312 (7.9)	.438 (11.1)	.500 (12.7)	770-003S112
03	.375 (9.5)	.500 (12.7)	.562 (14.3)	770-003S112
33	.438 (11.1)	.562 (14.3)	.624 (15.8)	770-001S104
04	.500 (12.7)	.625 (15.9)	.687 (17.4)	770-001S104
34	.562 (14.3)	.688 (17.5)	.750 (19.1)	770-001S104
05	.625 (15.9)	.750 (19.1)	.812 (20.6)	770-001S104
35	.688 (17.5)	.812 (20.6)	.874 (22.2)	770-001S104
06	.750 (19.1)	.875 (22.2)	.937 (23.8)	770-001S105
36	.812 (20.6)	.938 (23.8)	1.000 (25.4)	770-001S105
07	.875 (22.2)	1.000 (25.4)	1.062 (27.0)	770-001S105
37	.938 (23.8)	1.062 (27.0)	1.124 (28.5)	770-001S105
08	1.000 (25.4)	1.125 (28.6)	1.187 (30.1)	770-001S106
38	1.062 (27.0)	1.188 (30.2)	1.250 (31.8)	770-001S106
09	1.125 (28.6)	1.250 (31.8)	1.312 (33.3)	770-001S107
10	1.250 (31.8)	1.375 (34.9)	1.437 (36.5)	770-001S107
11	1.375 (34.9)	1.500 (38.1)	1.562 (39.7)	770-001S107
12	1.500 (38.1)	1.625 (41.3)	1.687 (42.8)	770-001S107
13	1.625 (41.3)	1.750 (44.5)	1.812 (46.0)	770-001S108
14	1.750 (44.5)	1.875 (47.6)	1.937 (49.2)	770-001S108
15	1.875 (47.6)	2.000 (50.8)	2.062 (52.4)	770-001S109
16	2.000 (50.8)	2.125 (54.0)	2.187 (55.5)	770-001S109

**APPLICATION NOTES**

1. Cable Entry is defined as the accommodation range for the wire bundle or cable. Dimensions shown are not intended for inspection criteria.
2. See Backshell Interface Dimensions and Standards on Pages H-4 and H-5.
3. Metric dimensions (mm) noted in parentheses are for reference only.
4. When maximum entry is exceeded, Style 2 will be supplied and dimensions F, G, H and J will not apply. Please consult factory.
5. Interface O-Ring not supplied with Connector Designator A.
6. Backshells supplied with 600-052 Band. See Glenair Series 600 Tool Catalog for installation details.

Dimensions in inches (millimeters) and are subject to change without notice.

# M83723/27M

## Series 310 Straight Shrink Boot Adapter

## CONNECTOR DESIGNATOR:

**K** MIL-DTL-83723 Series II
Basic  
Part NumberShell  
Size

M83723/27M

- 22

M

Order Boot Separately

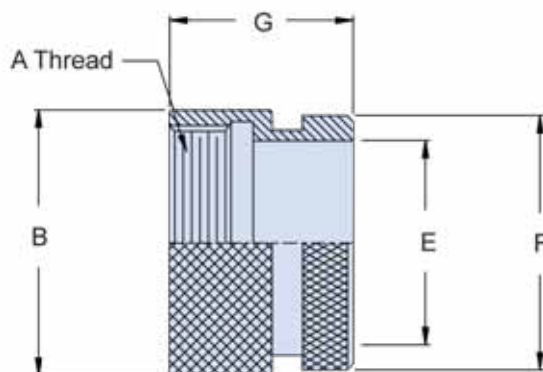
Backshell  
Only

TABLE I: Shell Size and Dimensions

Adapter Size	Shell Size Ref.	A Thread Class 2B	B Dia Max	E Dia	F Dia Min	G Max
08	8S	.438 - 28 UNEF	.580 (14.7)	.250 (6.4)	.479 (12.2)	.830 (21.1)
10	10S	.500 - 28 UNEF	.640 (16.3)	.303 (7.7)	.539 (13.7)	.830 (21.1)
11	10SL	.562 - 24 UNEF	.700 (17.8)	.383 (9.7)	.608 (15.4)	.830 (21.1)
12	12	.625 - 24 UNEF	.760 (19.3)	.408 (10.4)	.659 (16.7)	.830 (21.1)
13	12S	.625 - 24 UNEF	.760 (19.3)	.408 (10.4)	.659 (16.7)	.830 (21.1)
14	14	.750 - 20 UNEF	.890 (22.6)	.490 (12.4)	.782 (19.9)	.830 (21.1)
16	14S	.750 - 20 UNEF	.890 (22.6)	.490 (12.4)	.782 (19.9)	.830 (21.1)
16	16	.875 - 20 UNEF	1.010 (25.7)	.609 (15.5)	.908 (23.1)	.996 (25.3)
17	16S	.875 - 20 UNEF	1.010 (25.7)	.609 (15.5)	.908 (23.1)	.830 (21.1)
18	18	1.000 - 20 UNEF	1.140 (29.0)	.730 (18.5)	1.025 (26.0)	.996 (25.3)
20	20	1.125 - 18 UNEF	1.260 (32.0)	.870 (22.1)	1.212 (30.8)	.996 (25.3)
22	22	1.250 - 18 UNEF	1.390 (35.3)	.978 (24.8)	1.343 (34.1)	.996 (25.3)
24	24	1.375 - 18 UNEF	1.520 (38.6)	1.090 (27.7)	1.450 (36.8)	.996 (25.3)
28	28	1.625 - 18 UNEF	1.760 (44.7)	1.250 (31.8)	1.671 (42.4)	1.076 (27.3)
32	32	1.875 - 16 UN	2.010 (51.1)	1.520 (38.6)	1.956 (49.7)	1.076 (27.3)
36	36	2.125 - 16 UN	2.260 (57.4)	1.756 (44.6)	2.164 (55.0)	1.076 (27.3)
40	40	2.375 - 16 UN	2.510 (63.8)	1.880 (47.8)	2.500 (63.5)	1.222 (31.0)

## APPLICATION NOTES

- For complete dimensions see the applicable Military Specification.
- Finish: Electroless Nickel.

Dimensions in inches (millimeters) and are subject to change without notice.

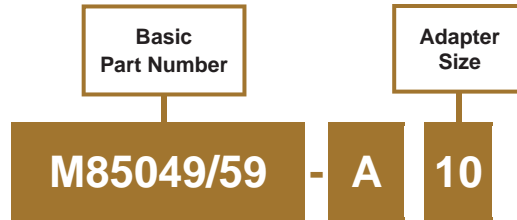
CAGE Code 06324

Printed in U.S.A.

# AS85049/59 Series 310 Straight Shrink Boot Adapter

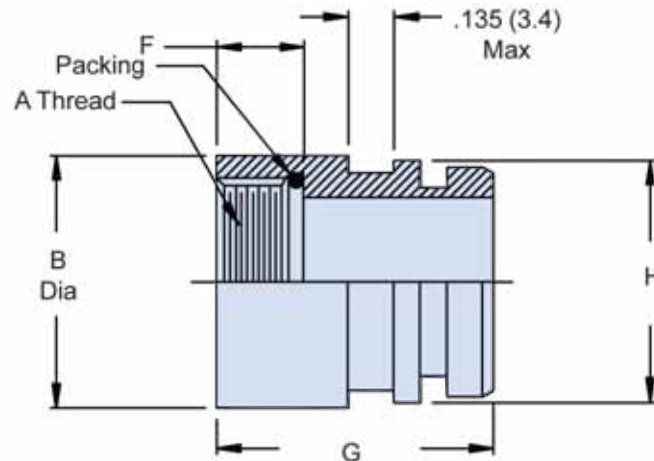


CONNECTOR DESIGNATOR:	
<b>C</b>	MIL-DTL-22992



Order Boot Separately

**Finish**  
*A = Black Anodize*  
*W = 500 Hr. Cadmium Olive Drab over Electroless Nickel*



Adapter Size	A Thread Class 2B-LH	B Max	F ±.016 (0.4)	G ±.031 (0.8)	H Dia ±.010 (0.3)
12	.750 - 20 UNEF	.933 (23.7)	.479 (6.4)	1.175 (29.8)	.798 (20.3)
14	.875 - 20 UNEF	1.057 (26.8)	.479 (6.4)	1.175 (29.8)	.922 (23.4)
16	1.000 - 20 UNEF	1.182 (30.0)	.479 (6.4)	1.175 (29.8)	1.048 (26.6)
18	1.125 - 18 UNEF	1.307 (33.2)	.479 (6.4)	1.175 (29.8)	1.172 (29.8)
20	1.250 - 18 UNEF	1.432 (36.4)	.479 (6.4)	1.175 (29.8)	1.297 (32.9)
22	1.375 - 18 UNEF	1.557 (39.5)	.479 (6.4)	1.175 (29.8)	1.423 (36.1)
24	1.625 - 18 UNEF	1.797 (45.6)	.479 (6.4)	1.175 (29.8)	1.662 (42.2)
28	1.875 - 16 UN	2.057 (52.2)	.479 (6.4)	1.175 (29.8)	1.922 (48.8)
32	2.062 - 16 UN	2.307 (58.6)	.479 (6.4)	1.175 (29.8)	2.172 (55.2)
36	2.312 - 16 UN	2.557 (64.9)	.479 (6.4)	1.175 (29.8)	2.422 (61.5)
40	2.625 - 16 UN	2.869 (72.9)	.667 (16.9)	1.375 (44.9)	2.734 (69.4)
44	2.875 - 16 UN	3.120 (79.2)	.667 (16.9)	1.375 (44.9)	2.982 (75.7)

**APPLICATION NOTES**

- For complete dimensions see the applicable Military Specification.

Dimensions in inches (millimeters) and are subject to change without notice.

# AS85049/60-1 and MS3158 Series 310 Straight Shrink Boot Adapter

## CONNECTOR DESIGNATOR:

A

MIL-DTL-5015 Series 3400,  
MIL-DTL-26482 Series II,  
AS81703 Series III,  
MIL-DTL-83723 Series I & II,  
40M39569, DEF 5326-3,  
EN 2997, EN 3646, ESC 10,  
ESC 11, LN 29504,  
NFC93422 Series HE302,  
PAN 6432-1, PAN 6432-2,  
PATT 602

Basic Part Number

Shell Size

M85049/60-1

W

22

### Finish

A = Black Anodize  
N = Electroless Nickel  
W = 500 Hr. Cadmium Olive Drab over  
Electroless Nickel

## Superseded Part Number

Basic Part Number

Shell Size

MS3158

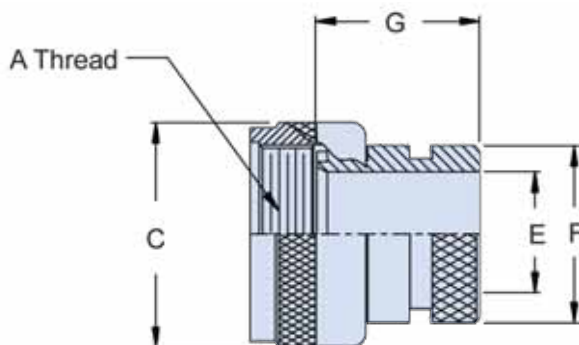
22

C

### Finish

A = 1,000 Hr. Cadmium Olive Drab  
C = Cadmium Olive Drab  
N = Electroless Nickel

Order Boot Separately



### TABLE I: Shell Size and Dimensions

Shell Size	A Thread Class 2B	C Dia Max +.000 (0.0) -.045 (1.14)	E Min Dia	F Dia +.000 (0.0) -.020 (0.5)	G Max
3	.562 - 24 UNEF	.670 (17.0)	.250 (6.4)	.533 (13.5)	.832 (21.1)
8	.500 - 20 UNF	.620 (15.7)	.250 (6.4)	.533 (13.5)	.832 (21.1)
10	.625 - 24 UNEF	.740 (18.8)	.355 (9.0)	.605 (15.4)	.832 (21.1)
12	.750 - 20 UNEF	.860 (21.8)	.491 (12.5)	.774 (19.7)	.832 (21.1)
14	.875 - 20 UNEF	.980 (24.9)	.565 (14.4)	.838 (21.3)	.832 (21.1)
16	1.000 - 20 UNEF	1.110 (28.2)	.690 (17.5)	.963 (24.5)	.832 (21.1)
18	1.062 - 18 UNEF	1.220 (31.0)	.769 (19.5)	1.042 (26.5)	.832 (21.1)
20	1.188 - 18 UNEF	1.350 (34.3)	.894 (22.7)	1.217 (30.9)	.832 (21.1)
22	1.313 - 18 UNEF	1.470 (37.3)	1.019 (25.9)	1.355 (34.4)	.832 (21.1)
24	1.438 - 18 UNEF	1.590 (40.4)	1.134 (28.8)	1.443 (36.7)	.832 (21.1)
28	1.750 - 18 UNS	1.970 (50.0)	1.369 (34.8)	1.709 (43.4)	.994 (25.3)
32	2.000 - 18 UNS	2.220 (56.4)	1.615 (41.0)	1.919 (48.7)	.994 (25.3)
36	2.250 - 16 UN	2.470 (62.7)	1.830 (46.5)	2.169 (55.1)	.994 (25.3)
40	2.500 - 16 UN	2.720 (69.1)	2.045 (51.9)	2.402 (61.0)	.994 (25.3)
44	2.750 - 16 UN	2.970 (75.4)	2.300 (58.4)	2.657 (67.5)	.994 (25.3)
48	3.000 - 16 UN	3.220 (81.8)	2.550 (64.8)	2.907 (73.8)	.994 (25.3)
61	1.500 - 18 UNEF	1.650 (41.9)	1.174 (29.8)	1.529 (38.8)	.832 (21.1)

## APPLICATION NOTES

- For complete dimensions see the applicable Military Specification.

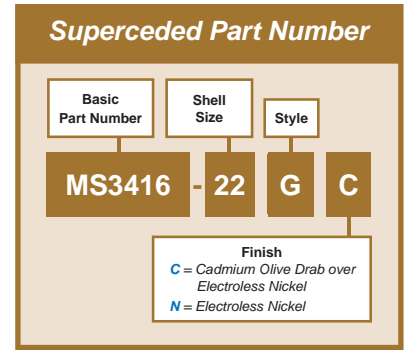
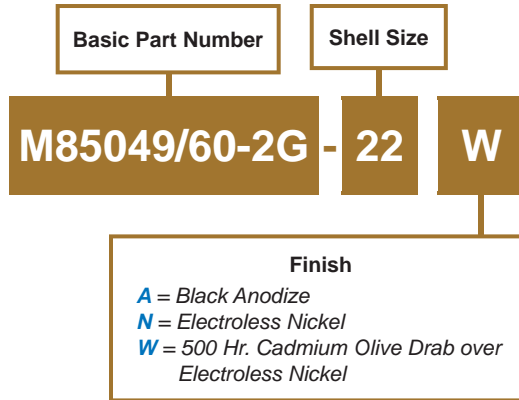
Dimensions in inches (millimeters) and are subject to change without notice.

# AS85049/60-2G and MS3416-G Series 310 Straight Shrink Boot Adapter

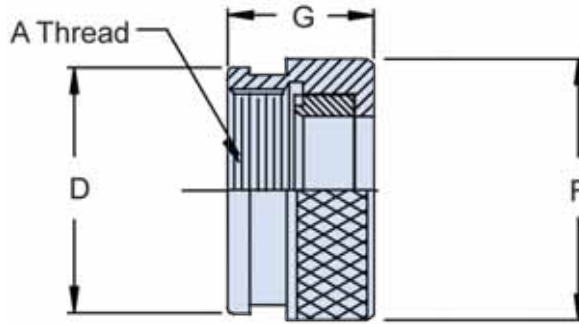


**CONNECTOR DESIGNATOR:**

<b>A</b>	MIL-DTL-5015 Series 3400, MIL-DTL-26482 Series II, AS81703 Series III, MIL-DTL-83723 Series I & II, 40M39569, DEF 5326-3, EN 2997, EN 3646, ESC 10, ESC 11, LN 29504, NFC93422 Series HE302, PAN 6432-1, PAN 6432-2, PATT 602
----------	--



Order Boot Separately



**TABLE I: Shell Size and Dimensions**

Shell Size	A Thread Class 2B	D Dia +.000 (0.0) -.020 (0.5)	F Dia +.000 (0.0) -.045 (1.1)	G Max
3	.562 - 24 UNEF	.709 (18.0)	.750 (19.1)	.540 (13.7)
8	.500 - 20 UNF	.657 (16.7)	.688 (17.5)	.540 (13.7)
10	.625 - 24 UNEF	.774 (19.7)	.803 (20.4)	.540 (13.7)
12	.750 - 20 UNEF	.898 (22.8)	.938 (23.8)	.540 (13.7)
14	.875 - 20 UNEF	1.024 (26.0)	1.063 (27.0)	.540 (13.7)
16	1.000 - 20 UNEF	1.152 (29.3)	1.238 (31.4)	.540 (13.7)
18	1.062 - 18 UNEF	1.243 (31.6)	1.310 (33.3)	.540 (13.7)
20	1.188 - 18 UNEF	1.370 (34.8)	1.436 (36.5)	.540 (13.7)
22	1.313 - 18 UNEF	1.443 (36.7)	1.560 (39.6)	.540 (13.7)
24	1.438 - 18 UNEF	1.618 (41.1)	1.686 (42.8)	.540 (13.7)
28	1.750 - 18 UNS	1.969 (50.0)	2.062 (52.4)	.702 (17.8)
32	2.000 - 18 UNS	2.219 (56.4)	2.312 (58.7)	.702 (17.8)
36	2.250 - 16 UN	2.469 (62.7)	2.562 (65.1)	.702 (17.8)
40	2.500 - 16 UN	2.719 (69.1)	2.812 (71.4)	.702 (17.8)
44	2.750 - 16 UN	2.969 (75.4)	3.062 (77.8)	.702 (17.8)
48	3.000 - 16 UN	3.219 (81.8)	3.312 (84.1)	.702 (17.8)
61	1.500 - 18 UNEF	1.653 (42.0)	1.748 (44.4)	.540 (13.7)

**APPLICATION NOTES**

- For complete dimensions see the applicable Military Specification.

Dimensions in inches (millimeters) and are subject to change without notice.

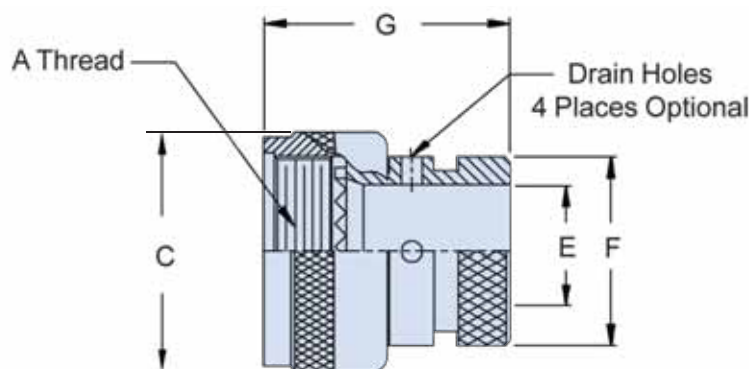
# AS85049/62 and MS38999/2 Series 310 Straight Shrink Boot Adapter

**CONNECTOR DESIGNATOR:**
**F**

MIL-DTL-38999 Series I & II,  
40M38277, PAN 6433-1,  
PATT 614, PATT 616,  
NFC93422 Series HE308 & HE309

**Basic  
Part Number**
**Shell  
Size**
**Drain Hole Option  
(Omit for None)**
**M85049/62**
**- 10**
**W**
**D**
**Order Boot Separately**
**Finish**

*A* = Black Anodize  
*N* = Electroless Nickel  
*W* = 500 Hr. Cadmium Olive Drab over  
Electroless Nickel


**TABLE I: Shell Size and Dimensions**

Shell Size	A Thread Class 2B	C Max	E Dia Min	F Dia Min	G Max
08	.438 - 28 UNEF	.750 (19.1)	.250 (6.4)	.533 (13.5)	1.000 (25.4)
10	.562 - 24 UNEF	.850 (21.6)	.375 (9.5)	.605 (15.4)	1.000 (25.4)
12	.688 - 24 UNEF	1.000 (25.4)	.500 (12.7)	.774 (19.7)	1.000 (25.4)
14	.813 - 20 UNEF	1.100 (27.9)	.625 (15.9)	.838 (21.3)	1.000 (25.4)
16	.938 - 20 UNEF	1.250 (31.8)	.750 (19.1)	.963 (24.5)	1.000 (25.4)
18	1.063 - 18 UNEF	1.400 (35.6)	.812 (20.6)	1.042 (26.5)	1.000 (25.4)
20	1.188 - 18 UNEF	1.500 (38.1)	.937 (23.8)	1.217 (30.9)	1.000 (25.4)
22	1.313 - 18 UNEF	1.650 (41.9)	1.062 (27.0)	1.355 (34.4)	1.000 (25.4)
24	1.438 - 18 UNEF	1.750 (44.5)	1.188 (30.2)	1.443 (36.7)	1.000 (25.4)

**APPLICATION NOTES**

- For complete dimensions see the applicable Military Specification.

Dimensions in inches (millimeters) and are subject to change without notice.

CAGE Code 06324

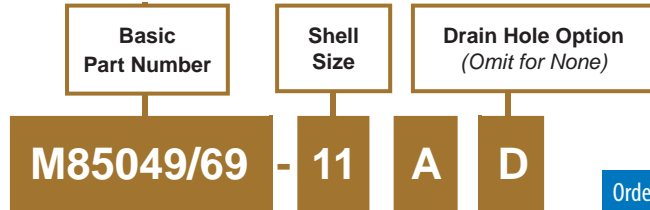
Printed in U.S.A.



# AS85049/69 Series 310 Straight Shrink Boot Adapter

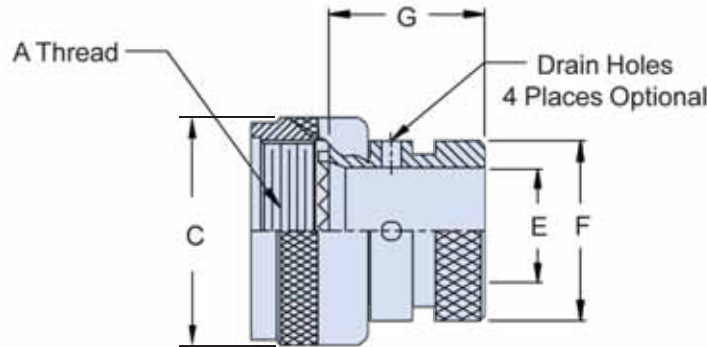


CONNECTOR DESIGNATOR:	
<b>H</b>	MIL-DTL-38999 Series III & IV, EN3645



Order Boot Separately

**Finish**  
*A = Black Anodize*  
*N = Electroless Nickel*  
*W = 500 Hr. Cadmium Olive Drab over Electroless Nickel*



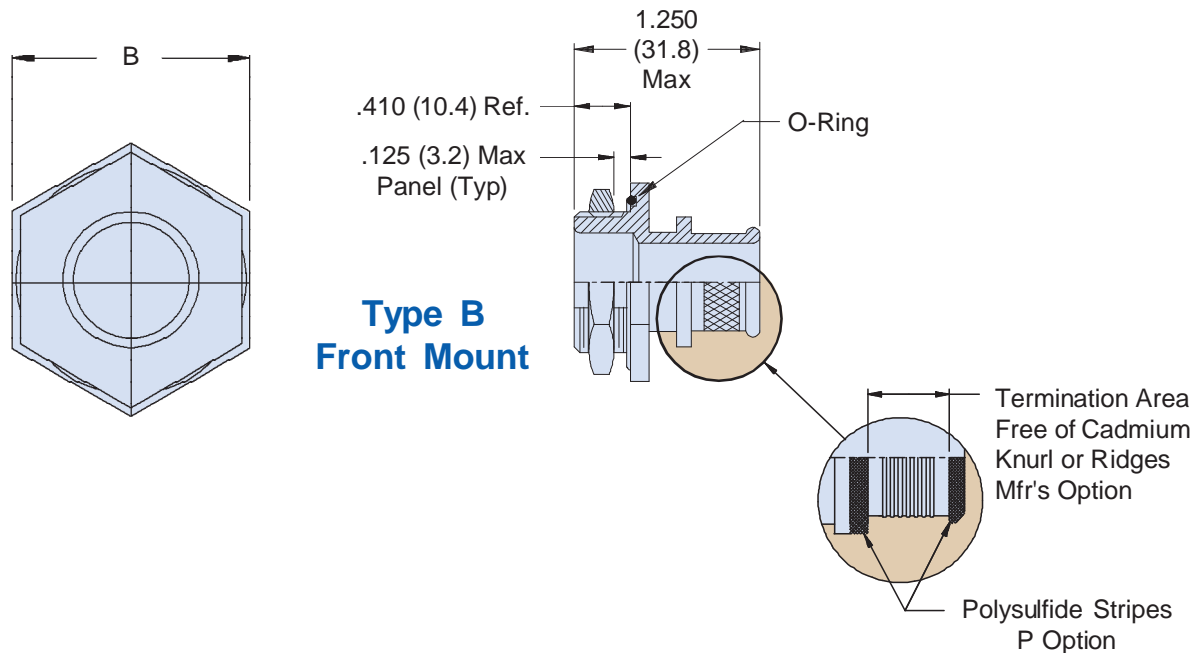
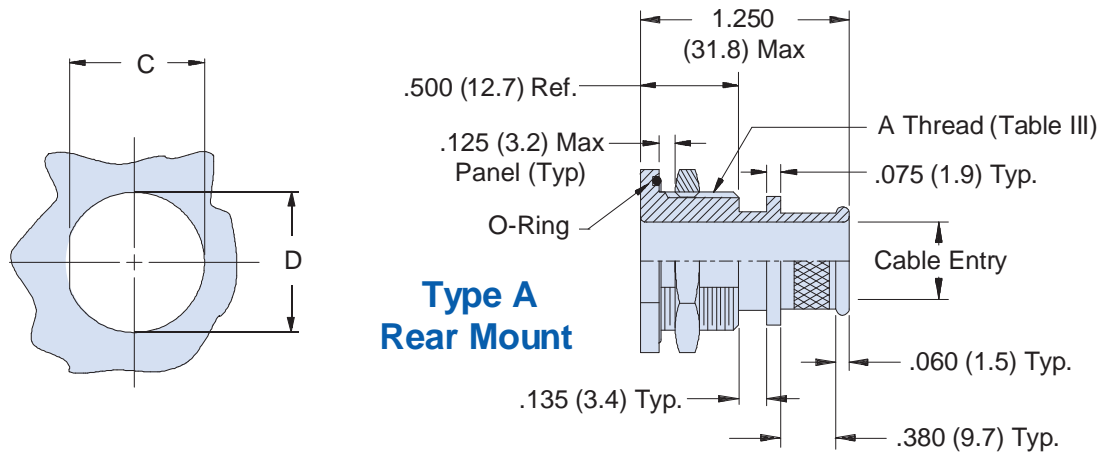
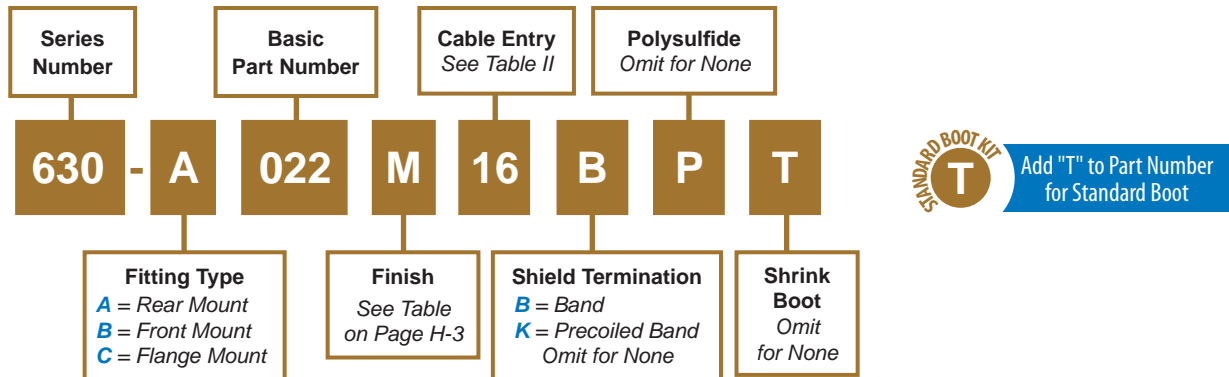
Shell Size	A Thread Class 6H	C Max	E Dia Min	F Dia Max	G Max
9	M12 X 1 - 6H	.750 (19.1)	.250 (6.4)	.533 (13.5)	.710 (18.0)
11	M15 X 1 - 6H	.850 (21.6)	.375 (9.5)	.605 (15.4)	.710 (18.0)
13	M18 X 1 - 6H	1.000 (25.4)	.500 (12.7)	.774 (19.7)	.710 (18.0)
15	M22 X 1 - 6H	1.150 (29.2)	.625 (15.9)	.838 (21.3)	.710 (18.0)
17	M25 X 1 - 6H	1.250 (31.8)	.750 (19.1)	.963 (24.5)	.710 (18.0)
19	M28 X 1 - 6H	1.400 (35.6)	.812 (20.6)	1.042 (26.5)	.710 (18.0)
21	M31 X 1 - 6H	1.550 (39.4)	.938 (23.8)	1.217 (30.9)	.710 (18.0)
23	M34 X 1 - 6H	1.650 (41.9)	1.062 (27.0)	1.355 (34.4)	.710 (18.0)
25	M37 X 1 - 6H	1.785 (47.0)	1.188 (30.2)	1.443 (36.7)	.710 (18.0)

### APPLICATION NOTES

- For complete dimensions see the applicable Military Specification.

Dimensions in inches (millimeters) and are subject to change without notice.

# EMI/RFI Environmental Bulkhead Banding Adapter with Optional Shrink Boot Jam Nut and Panel Mount - Straight

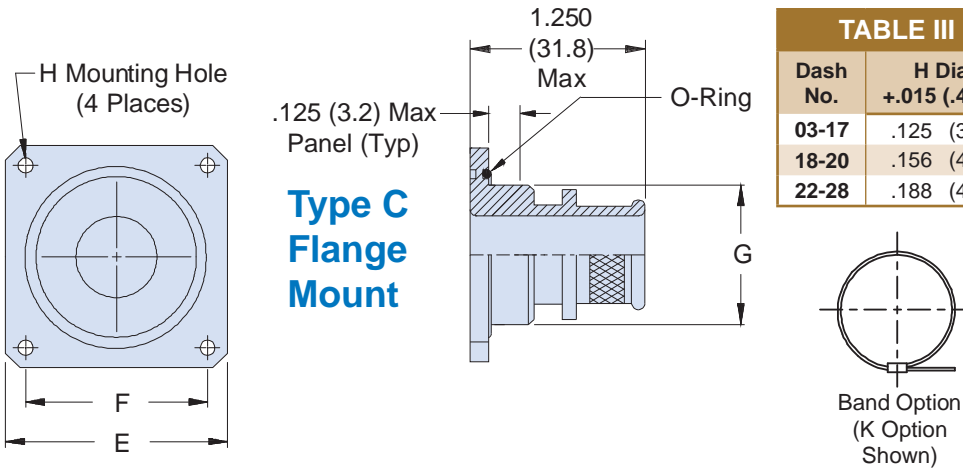


630-022

EMI/RFI Environmental Bulkhead Banding Adapter  
with Optional Shrink Boot  
Jam Nut and Panel Mount - Straight



Adapters



Dash No.	H Dia +.015 (.4) -0
03-17	.125 (3.2)
18-20	.156 (4.0)
22-28	.188 (4.8)

Dash No.	Shrink Boot (See Note 2)
03-06	770-001S103
07-10	770-001S104
11-12	770-001S105
13-16	770-001S106
17-20	770-001S107
22-26	770-001S108
28	770-001S109

Dash No.	Cable Entry Dia	A Thread Unified	B Dim	C Flat ± .010 ± (.3)	D Dia ± .010 ± (.3)	E Sq ± .031 ± (.8)	F Dim	G Dia +.005 (.1) -.015 (.4)
03	.188 (4.8)	1/2 -28	.688 (17.5)	.480 (12.2)	.515 (13.1)	.875 (22.2)	.594 (15.1)	.500 (12.7)
04	.250 (6.4)	1/2 -28	.688 (17.5)	.480 (12.2)	.515 (13.1)	.875 (22.2)	.594 (15.1)	.500 (12.7)
05	.313 (8.0)	5/8 -24	.813 (20.7)	.605 (15.4)	.640 (16.3)	1.000 (25.4)	.719 (18.3)	.625 (15.9)
06	.375 (9.5)	5/8 -24	.813 (20.7)	.605 (15.4)	.640 (16.3)	1.000 (25.4)	.719 (18.3)	.625 (15.9)
07	.438 (11.1)	3/4 -20	.938 (23.8)	.730 (18.5)	.765 (19.4)	1.094 (27.8)	.812 (20.6)	.750 (19.1)
08	.500 (12.7)	3/4 -20	.938 (23.8)	.730 (18.5)	.765 (19.4)	1.094 (27.8)	.812 (20.6)	.750 (19.1)
09	.563 (14.3)	7/8 -20	1.063 (27.0)	.855 (21.7)	.890 (22.6)	1.188 (30.2)	.906 (23.0)	.875 (22.2)
10	.625 (15.9)	7/8 -20	1.063 (27.0)	.855 (21.7)	.890 (22.6)	1.188 (30.2)	.906 (23.0)	.875 (22.2)
11	.688 (17.5)	1 -20	1.188 (30.2)	.980 (24.9)	1.015 (25.8)	1.281 (32.5)	.969 (24.6)	1.000 (25.4)
12	.750 (19.1)	1 -20	1.188 (30.2)	.980 (24.9)	1.015 (25.8)	1.281 (32.5)	.969 (24.6)	1.000 (25.4)
13	.813 (20.7)	1 1/8 -18	1.313 (33.4)	1.105 (28.1)	1.140 (29.0)	1.375 (34.9)	1.062 (27.0)	1.125 (28.6)
14	.875 (22.2)	1 1/4 -18	1.438 (36.5)	1.230 (31.2)	1.265 (32.1)	1.500 (38.1)	1.156 (29.4)	1.250 (31.8)
15	.938 (23.8)	1 1/4 -18	1.438 (36.5)	1.230 (31.2)	1.265 (32.1)	1.500 (38.1)	1.156 (29.4)	1.250 (31.8)
16	1.000 (25.4)	1 3/8 -18	1.563 (39.7)	1.355 (34.4)	1.390 (35.3)	1.625 (41.3)	1.250 (31.8)	1.375 (34.9)
17	1.063 (27.0)	1 3/8 -18	1.563 (39.7)	1.355 (34.4)	1.390 (35.3)	1.625 (41.3)	1.250 (31.8)	1.375 (34.9)
18	1.125 (28.6)	1 1/2 -18	1.688 (42.9)	1.480 (37.6)	1.515 (38.5)	1.750 (44.5)	1.375 (34.9)	1.500 (38.1)
19	1.188 (30.2)	1 1/2 -18	1.688 (42.9)	1.480 (37.6)	1.515 (38.5)	1.750 (44.5)	1.375 (34.9)	1.500 (38.1)
20	1.250 (31.8)	1 5/8 -18	1.813 (46.1)	1.605 (40.8)	1.640 (41.7)	1.812 (46.0)	1.500 (38.1)	1.625 (41.3)
22	1.375 (34.9)	1 3/4 -18	1.938 (49.2)	1.730 (43.9)	1.765 (44.8)	2.000 (50.8)	1.562 (39.7)	1.750 (44.5)
24	1.500 (38.1)	2 -18	2.188 (55.6)	1.980 (50.3)	2.015 (51.2)	2.250 (57.2)	1.750 (44.5)	2.000 (50.8)
26	1.625 (41.3)	2 -18	2.188 (55.6)	1.980 (50.3)	2.015 (51.2)	2.250 (57.2)	1.750 (44.5)	2.000 (50.8)
28	1.750 (44.5)	2 1/4 -16	2.438 (61.9)	2.230 (56.6)	2.265 (57.5)	2.500 (63.5)	1.938 (49.2)	2.250 (57.2)

**APPLICATION NOTES**

- Metric dimensions (mm) are in parentheses
- Equivalent boot may be supplied in lieu of stated part number.

Dimensions in inches (millimeters) and are subject to change without notice.  
CAGE Code 06324

Printed in U.S.A.

© 2011 Glenair, Inc.

GLENAIR, INC. • 1211 AIR WAY • GLENDALE, CA 91201-2497 • 818-247-6000 • FAX 818-500-9912

www.glenair.com

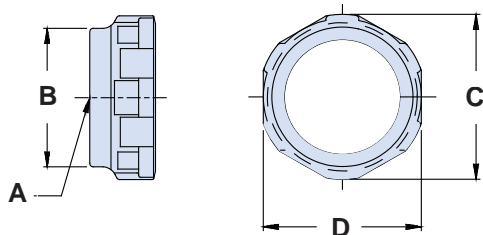
H-25

E-Mail: sales@glenair.com

H



**Table I**  
**Front End Dimensional Details**  
**for Composite Shrink Boot Adapters**

**NOTES:**

1. Connector shell size designations within   are for reference only; do not use in part numbers.
2. Metric dimensions (mm) are in parentheses and are for reference only. (1 inch = 25.4 mm)
3. Consult factory for accessory interface data not listed.
4. Use Glenair 600-091 or 600-157 tool to tighten coupling nut. Rubber jaw pliers or strap wrench may damage the parts.

**TABLE I**

SHELL SIZE FOR CONNECTOR DESIGNATOR					A THREAD REF	B DIA MAX	C DIA MAX	D FLATS REF
A	F/L	G	H	U				
-	08	09	-	-	7/16-28 UNEF	.59 (15.0)		
-	-	-	09	A	M12 x 1 - 6H	.65 (16.5)	.86 (21.8)	.75 (19.1)
08	-	-	-	-	1/2-20 UNF	.65 (16.5)		
-	-	-	-	08 9	A B	1/2-28 UNEF	.65 (16.5)	
03	10	11	-	-	9/16-24 UNEF	.72 (18.3)	.98 (24.9)	.88 (22.2)
-	-	-	11	B	M15 x 1 - 6H	.77 (19.6)		
10	-	-	-	-	5/8-24 UNEF	.77 (19.6)		
-	-	-	-	10 11	C D	5/8-28 UN	.77 (19.6)	
-	12	13	-	-	11/16-24 UNEF	.84 (21.3)	1.16 (29.4)	1.00 (25.4)
-	-	-	13	C	M18 x 1 - 6H	.89 (22.6)		
12	7	-	11	A	3/4-20 UNEF	.91 (23.1)		
-	-	-	-	12 13	F	3/4-28 UNS	.91 (23.1)	
-	14	15	-	-	13/16-20 UNEF	.97 (24.6)	1.28 (32.5)	1.13 (28.6)
-	-	-	15	D	M22 x 1 - 6H	1.03 (26.2)		
14	12	-	13	B	7/8-20 UNEF	1.03 (26.2)		
-	-	-	-	14 15	G H	7/8-28 UN	1.03 (26.2)	
-	16	17	-	-	15/16-20 UNEF	1.09 (27.7)	1.41 (35.7)	1.25 (31.8)
-	-	-	17	E	M25 x 1 - 6H	1.15 (29.2)		
16	19	-	15	C	1-20 UNEF	1.15 (29.2)		
-	-	-	-	16 17	J K	1-28 UN	1.15 (29.2)	
18	27	18	19	-	1-1/16-18 UNEF	1.22 (31.0)	1.52 (38.5)	1.38 (35.1)
-	-	-	19	F	M28 x 1 - 6H	1.28 (32.5)		
-	-	-	17	D	1-1/8-18 UNEF	1.28 (32.5)		
-	-	-	-	18 19	M N	1-1/8-28 UN	1.28 (32.5)	
20	37	20	21	-	1-3/16-18 UNEF	1.34 (34.0)	1.64 (41.7)	1.50 (38.1)
-	-	-	21	G	M31 x 1 - 6H	1.41 (35.8)		
-	-	-	19	E	1-1/4-18 UNEF	1.41 (35.8)		
-	-	-	-	20 21	P R	1-1/4-28 UN	1.41 (35.8)	
22	22	23	-	-	1-5/16-18 UNEF	1.47 (37.3)	1.77 (44.9)	1.63 (41.3)
-	-	-	23	H	M34 x 1 - 6H	1.53 (38.9)		
-	-	-	-	22 23	S T	1-3/8-28 UN	1.53 (38.9)	
24	24	25	23	F	1-7/16-18 UNEF	1.59 (40.4)	1.89 (48.0)	1.75 (44.5)
-	-	-	25	J	M37 x 1 - 6H	1.66 (42.2)		
61	-	-	-	-	1-1/2-18 UNEF	1.66 (42.2)		
-	-	-	-	24 25	U M	1-1/2-28 UN	1.66 (42.2)	2.02 (51.2)
-	-	25	G	-	1-9/16-18 UNEF	1.66 (42.2)		2.00 (50.8)
28	-	-	-	-	1-3/4-18 UNS	1.97 (50.0)	2.16 (54.8)	

Dimensions in inches (millimeters) and are subject to change without notice.

CAGE Code 06324

Printed in U.S.A.

© 2011 Glenair, Inc.

GLENAIR, INC. • 1211 AIR WAY • GLENDALE, CA 91201-2497 • 818-247-6000 • FAX 818-500-9912

www.glenair.com

H-26

E-Mail: sales@glenair.com

**Table II**  
**Glenair Composite Shrink Boot Adapter**  
**Standard Materials and Finishes**



The following standard materials are used for the majority of Glenair's composite products. However, components are not limited to those listed but are representative of the elements used in Glenair's composite products.

<b>Component Material Specification</b>
Bodies, clamps, Composite AIR 4567, AS85049 Saddles, coupling nuts, ASTM D 5205 protective covers, etc.
Hardware: Such as screws, Corrosion Resisting QQ-S-763 (300 Series) washers, rivets, wire rope, sash Steel chain, band straps, etc.
Elastomeric seals: Such as Silicone or ZZ-R-765 or o-rings, cable jacket seals, Fluorosilicone MIL-R-25988 grommets, etc.
Anti-friction and thrust washers Teflon TFE

### Standard Finishes

FINISH DETAILS		
SYM	MATERIAL	FINISH
XO	Composite Thermoplastic	No Plating, Natural
XB		No Plating, Black
XZN		Conductive, Zinc Nickel, Black
XM		Conductive, Electroless Nickel
XMT		Conductive, Ni-PTFE <i>1000 Hour Grey™</i>
XW		Conductive, Cadmium O.D. Over Electroless Nickel

### Locking Compound

Glenair recommends **ND VIBRA-TITE® Formula 3** Thread Locking Compound for customers who choose to lock or seal fasteners used on composite products.

Available from ND Industries ([www.ndindustries.com](http://www.ndindustries.com)), this product is non-reactive to composite resins

FINISH CODE CROSS REFERENCE		
Glenair Finish	MIL-DTL-38999	AS85049
<b>XM</b>	<b>M</b>	<b>M</b>
<b>XW</b>	<b>J</b>	<b>J</b>
<b>XMT</b>	<b>T</b>	<b>X</b>

### *1000 Hour Grey™* Ni-PTFE Nickel Fluorocarbon Polymer



The MIL-DTL-38999 Rev L detail specification lists Nickel Fluorocarbon Polymer as a qualified Cadmium free plating alternative. This RoHS compliant plating formula is now available on composite interconnect products from Glenair and offers the following benefits in harsh-environment applications:

- 2000+ hour salt spray
- Cadmium free
- Outstanding mating lubricity
- Hexavalent Chromium free
- 500+ mating cycles
- Non-Magnetic

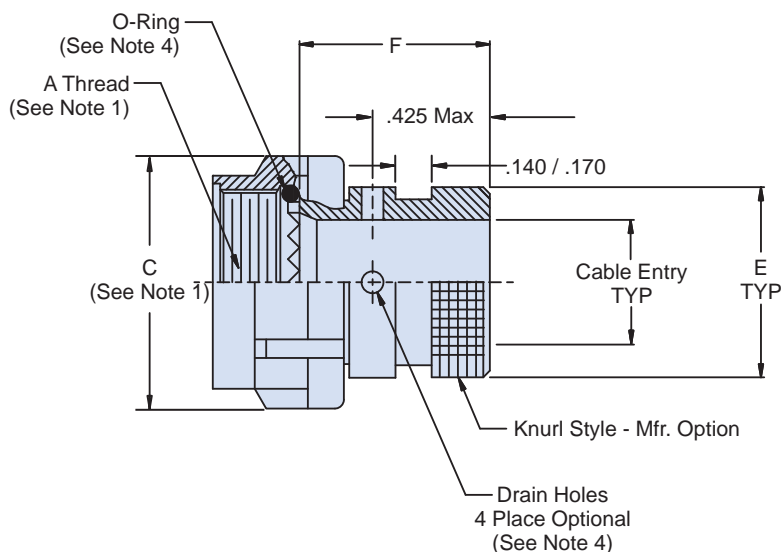
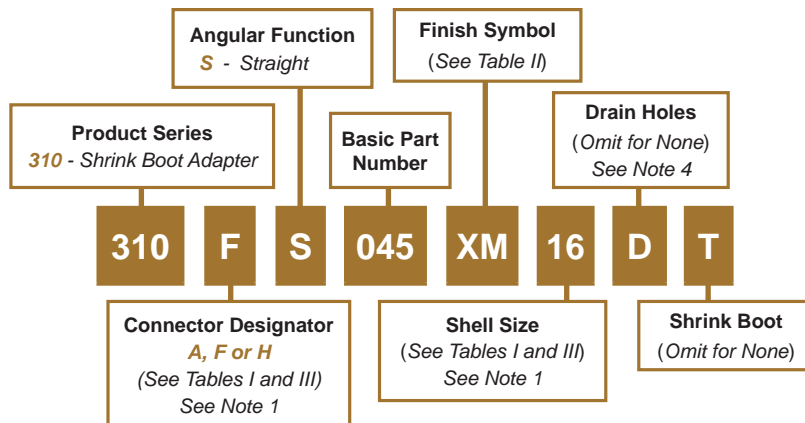
Dimensions in inches (millimeters) and are subject to change without notice.

CAGE Code 06324

Printed in U.S.A.

# 310-045 Composite Shrink Boot Adapter with Self-Locking Rotatable Coupling Nut

CONNECTOR DESIGNATOR:	
<b>A</b>	MIL-DTL-5015, -26482 Series II, and -83723 Series I and III
<b>F</b>	MIL-DTL-38999 Series I, II
<b>H</b>	MIL-DTL-38999 Series III and IV
<b>SELF-LOCKING</b>	
<b>ROTATABLE COUPLING</b>	
<b>STANDARD PROFILE</b>	



Add "T" to Part Number  
for Standard Boot

## APPLICATION NOTES

- See Table I on Page H-26 for front-end dimensional details.
- Assembly identified with manufacturer's name and P/N, space permitting.
- Glenair Series 600 backshell assembly tools are recommended for assembly and installation.
- O-Ring supplied with connector designator F and H only. O-Ring not supplied with connector designator A or with drain hole option.
- Material/Finish:  
Adapter - High-temperature engineering thermoplastic (natural)/See Table II  
Coupling Nut - High temperature engineering thermoplastic (black)/N.A.  
O-Ring - Silicone/N.A.  
Shrink Boot - Elastomeric/N.A.

Dimensions in inches (millimeters) and are subject to change without notice.

CAGE Code 06324

Printed in U.S.A.

**310-045**  
**Composite Shrink Boot Adapter**  
**with Self-Locking Rotatable Coupling Nut**



**TABLE II: Finish**

Symbol	Finish Description
<b>XB</b>	No Plating - Black Color (Non-Conductive Finish)
<b>XM</b>	2000 Hour Corrosion Resistant Electroless Nickel
<b>XMT</b>	2000 Hour Corrosion Resistant Ni-PTFE, Nickel-Fluorocarbon Polymer. <i>1000 Hour Grey™</i>
<b>XW</b>	2000 Hour Corrosion Resistant Cadmium/Olive Drab over Electroless Nickel, 1000 Hour Salt Spray
<b>XD</b>	No Plating, Desert Tan

**TABLE III: Shell Size, Dimensions, Cable Entry & Shrink Boot**

Shell Size		E Max	F Max	Cable Entry Min.	T Shrink Boot
A, F	H				
08	09	.533 (13.5)	.940 (23.9)	.250 (6.4)	770-001S103
10	11	.605 (15.4)	.940 (23.9)	.355 (9.0)	770-001S103
12	13	.774 (19.7)	.940 (23.9)	.491 (12.5)	770-001S104
14	15	.838 (21.3)	.940 (23.9)	.565 (14.4)	770-001S104
16	17	.963 (24.5)	.940 (23.9)	.690 (17.5)	770-001S105
18	19	1.042 (26.5)	.940 (23.9)	.769 (19.5)	770-001S106
20	21	1.217 (30.9)	.940 (23.9)	.894 (22.7)	770-001S107
22	23	1.355 (34.4)	.940 (23.9)	1.019 (25.9)	770-001S107
24	25	1.443 (36.7)	.940 (23.9)	1.134 (28.8)	770-001S108

Dimensions in inches (millimeters) and are subject to change without notice.

CAGE Code 06324

Printed in U.S.A.

© 2011 Glenair, Inc.

**GLENAIR, INC. • 1211 AIR WAY • GLENDALE, CA 91201-2497 • 818-247-6000 • FAX 818-500-9912**

www.glenair.com

**H-29**

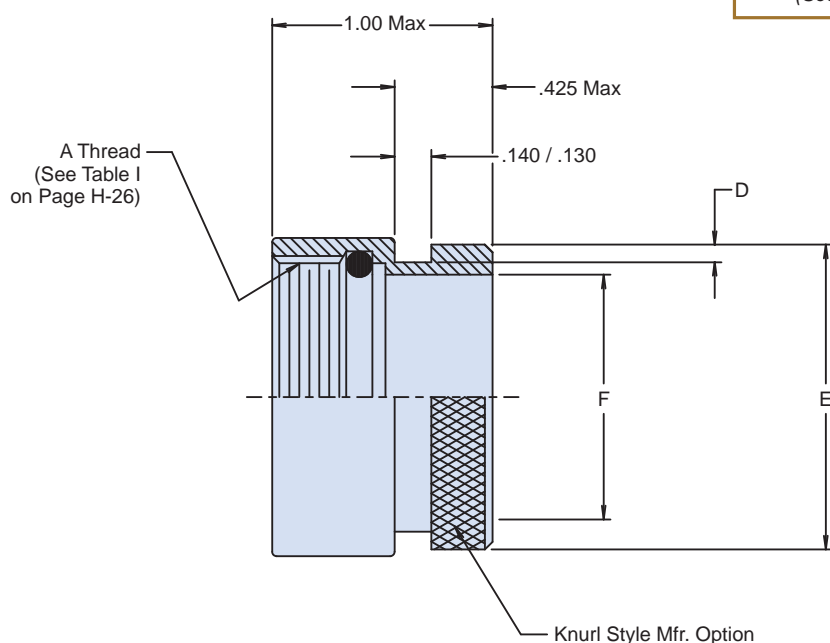
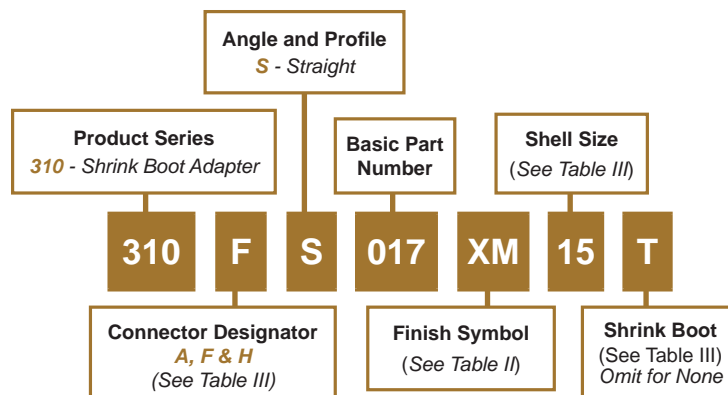
E-Mail: sales@glenair.com

# 310-017 Composite Shrink Boot Adapter with Direct Coupling Nut

## CONNECTOR DESIGNATOR:

<b>A</b>	MIL-DTL-5015, -26482, Series II and -83723 Series I and III
<b>F</b>	MIL-DTL-38999 Series I, II
<b>H</b>	MIL-DTL-38999 Series III and IV

## DIRECT COUPLING



Add "T" to Part Number  
for Standard Boot

### TABLE II: FINISH

Symbol	Finish Description
<b>XB</b>	No Plating - Black Color (Non-Conductive Finish)
<b>XO</b>	Composite Material—No Plating, Color Black and Brown, Brass Interface Shroud and Adapter—Nickel Plated
<b>XM</b>	2000 Hour Corrosion Resistant Electroless Nickel
<b>XMT</b>	2000 Hour Corrosion Resistant Ni-PTFE, Nickel-Fluorocarbon Polymer. 1000 Hour Grey™
<b>XW</b>	2000 Hour Corrosion Resistant Cadmium/Olive Drab over Electroless Nickel

### TABLE III: Shell Size, Dimensions and Shrink Boot

Shell Size		D + .008 - .000	E + .000 - .045	F	T Shrink Boot
A, F	H				
08	09	.044 (1.1)	.612 (15.5)	.346 (8.8)	770-001S103
10	11	.044 (1.1)	.732 (18.6)	.475 (12.1)	770-001S103
12	13	.044 (1.1)	.857 (21.8)	.589 (15.0)	770-001S104
14	15	.044 (1.1)	.980 (24.9)	.714 (18.1)	770-001S104
16	17	.044 (1.1)	1.100 (27.9)	.839 (21.3)	770-001S105
18	19	.069 (1.8)	1.215 (30.9)	.945 (24.0)	770-001S106
20	21	.069 (1.8)	1.345 (34.2)	1.070 (27.2)	770-001S107
22	23	.069 (1.8)	1.465 (37.2)	1.195 (30.4)	770-001S107
24	25	.069 (1.8)	1.590 (40.4)	1.320 (33.5)	770-001S107

### NOTES

- See Table I on Page H-26 for front-end dimensional details.
- (Straight)** 770-001S\*\*-0 shrink boot supplied with "T" option.  
For angled shrink boot, contact Glenair engineering. See shrink boot product pages for more details.
- Metric dimensions (mm) are in parentheses.

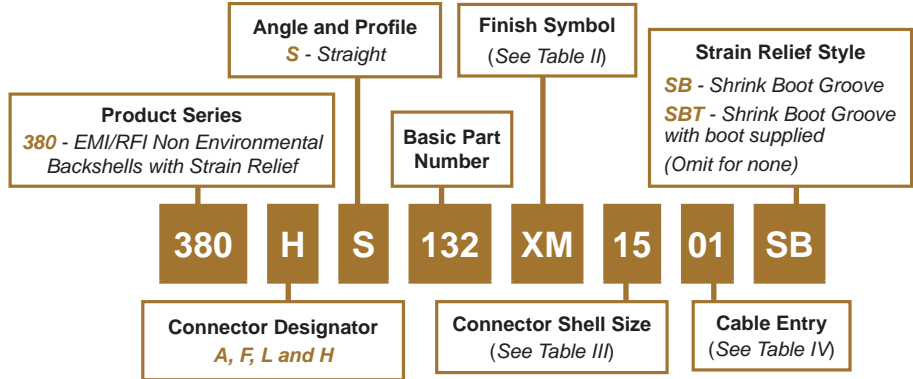
Dimensions in inches (millimeters) and are subject to change without notice.



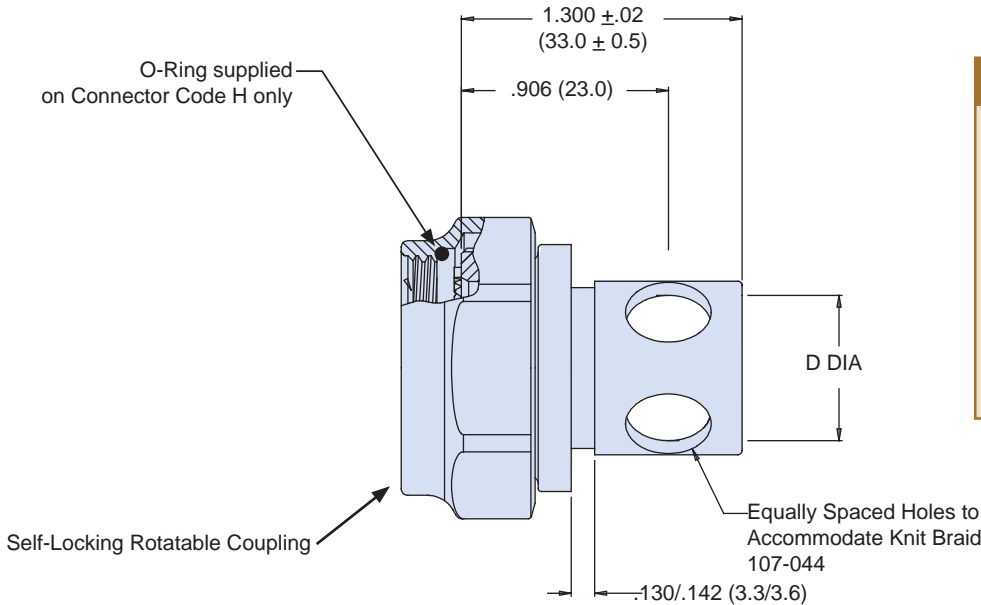
**Composite Knit-Braid Style EMI/RFI  
O-Ring Equipped Shield Termination Backshell  
with Shrink Boot Adapter and Rotatable Coupling**



CONNECTOR DESIGNATOR:	
<b>A</b>	MIL-DTL-5015, -26482, Series II and -83723 Series I and III
<b>F</b>	MIL-DTL-38999 Series I, II
<b>L</b>	MIL-DTL-38999 Series 1.5 (JN1003)
<b>H</b>	MIL-DTL-38999 Series III and IV
ROTATABLE COUPLING	



Order Boot Separately



- APPLICATION NOTES**
1. Coupling nut and saddle bars supplied unplated.
  2. Consult factory for additional entry sizes available.
  3. For angled part requirements, use in conjunction with Glenair 327-060 Extenders.
  4. See Table I on Page H-26 for additional front-end dimensional details.

**TABLE III: SHELL SIZE**

Shell Size A	Max Entry Code**	Shell Size		Max Entry Code**
		F/L	H	
08	00	08	09	01
10	01	10	11	02
12	02	12	13	03
14	03	14	15	04
16	04	16	17	05
18	05	18	19	06
20	06	20	21	07
22	07	22	23	08
24	08	24	25	09

**TABLE IV: CABLE ENTRY/SHRINK BOOT**

Entry Code**	D ±.010 (0.25)	Number Of Holes	Shrink Boot
00	.268 (6.8)	2**	770-003S101
01	.354 (9.0)	2**	770-003S103
02	.472 (12.0)	2**	770-003S104
03	.591 (15.0)	2*	770-003S104
04	.709 (18.0)	2*	770-003S105
05	.837 (21.3)	2*	770-003S106
06	.945 (24.0)	2*	770-003S106
07	1.063 (27.0)	4*	770-003S107
08	1.191 (30.3)	4*	770-003S107
09	1.319 (33.56)	4*	770-003S108

\*Oval Holes, .256 (6.5) x .512 (13.0)  
 \*\*Oval Holes, .315 (8.0) x .512 (13.0)  
 \*Circular Holes, .512 (13.0) Diameter.

**TABLE II: FINISH**

Symbol	Finish Description
XM	2000 Hour Corrosion Resistant Electroless Nickel
XMT	2000 Hour Corrosion Resistant Ni-PTFE, Nickel-Fluorocarbon Polymer. 1000 Hour Grey™
XW	2000 Hour Corrosion Resistant Cadmium/Olive Drab over Electroless Nickel

Dimensions in inches (millimeters) and are subject to change without notice.

CAGE Code 06324

Printed in U.S.A.



# 440-144 Composite Ultra Low Profile EMI/RFI Micro-Banding Backshell with Shrink Boot Porch and Self-Locking Rotatable Coupling

CONNECTOR DESIGNATOR:	
<b>A</b>	MIL-DTL-5015, -26482, Series II and -83723 Series I and III
<b>F</b>	MIL-DTL-38999 Series I, II
<b>H</b>	MIL-DTL-38999 Series III and IV
<b>SELF-LOCKING</b>	
<b>ROTATABLE COUPLING</b>	
<b>ULTRA LOW PROFILE</b>	

**Angle and Profile**  
**S** - Straight      **A** - 90° Standard  
**T** - 45° Elbow    **E** - 90° Low Profile, Split  
**W** - 90° Low Profile, Solid

**Cable Entry**  
 (See Table IV)  
 Omit for E and W Option Only

**Drain Hole Option**  
 (Omit "D" if not required)

**Shrink Boot Option**  
 Shrink boot supplied with T option  
 O-Ring will not be supplied with Connector Designator A  
 (Omit for none)  
 Consult factory for shrink boot part numbers for elliptical parts.

**Product Series**  
 440 - EMI/RFI Non-Environmental Micro-Banding Backshells

**Basic Part Number**

**Finish Symbol**  
 (See Table II)

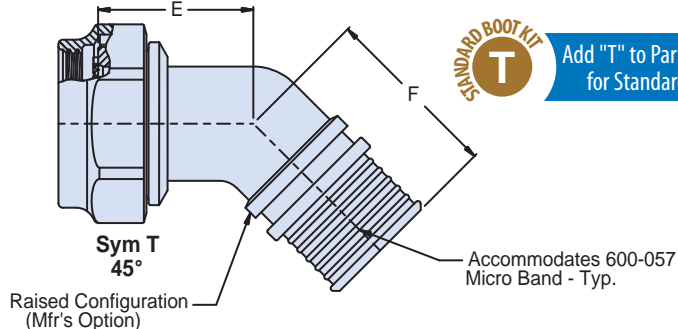
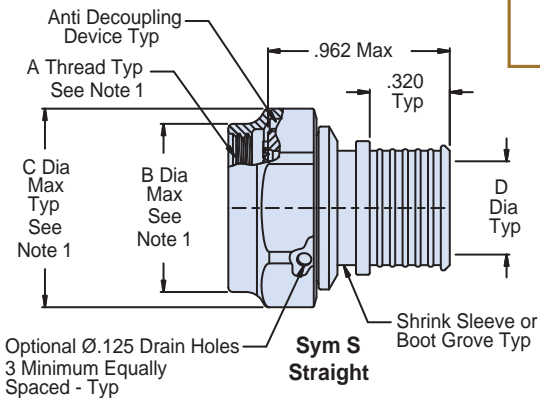
**440 H S 144 XM 15 09 D B T S**

**Connector Designator**  
**A, F or H**  
 (See Table III)  
 See Note 4

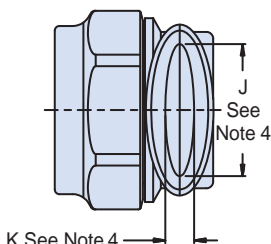
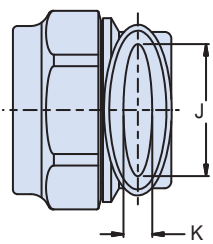
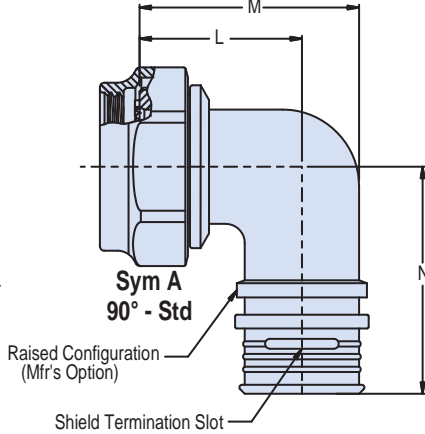
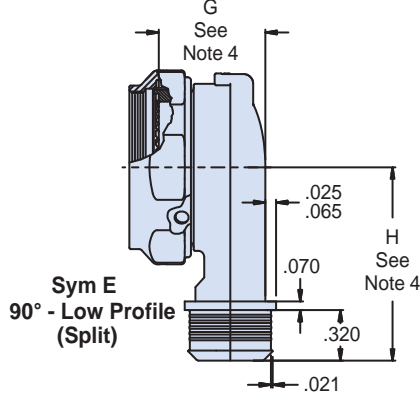
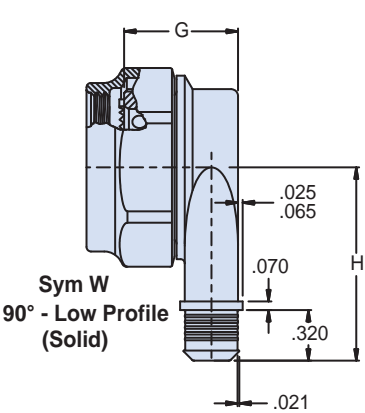
**Connector Shell Size**  
 (See Table III)  
 See Note 1

**Band Option**  
**B** - 600-057  
**K** - 600-057-1  
 (Omit for none)

**Shield Termination Slot**  
 (Omit for none)



**STANDARD BOOT KIT**  
**T**  
 Add "T" to Part Number for Standard Boot



Dimensions in inches (millimeters) and are subject to change without notice.

CAGE Code 06324

Printed in U.S.A.

© 2011 Glenair, Inc.      GLENAIR, INC. • 1211 AIR WAY • GLENDALE, CA 91201-2497 • 818-247-6000 • FAX 818-500-9912

**Composite Ultra Low Profile EMI/RFI  
Micro-Banding Backshell with Shrink Boot Porch  
and Self-Locking Rotatable Coupling**



TABLE III: SHELL SIZE

Shell Size		Entry Code Available for Straight, 45° and 90° Std Configuration	G Max	H ±.03	J	K	L ±.09	M ±.09	N Max
A & F	H								
08	09	04	.630 (16.0)	1.042 (26.5)	.304 (7.7)	.160 (4.1)	.690 (17.5)	.880 (22.4)	1.360 (34.5)
10	11	05	.660 (16.8)	1.107 (28.1)	.432 (11.0)	.174 (4.4)	.750 (19.1)	1.000 (24.5)	1.420 (36.1)
12	13	07	.720 (18.3)	1.174 (29.8)	.546 (13.9)	.195 (5.0)	.810 (20.6)	1.130 (28.7)	1.480 (37.6)
14	15	09	.830 (21.1)	1.241 (31.5)	.670 (17.0)	.315 (8.0)	.880 (22.4)	1.310 (33.3)	1.550 (39.4)
16	17	05 and 11	.910 (23.1)	1.305 (33.1)	.796 (20.2)	.385 (9.8)	.940 (23.9)	1.380 (35.1)	1.610 (40.9)
18	19	07 and 13	.930 (23.6)	1.371 (34.8)	.902 (22.9)	.445 (11.3)	.970 (24.6)	1.440 (36.6)	1.640 (41.7)
20	21	09 and 15	1.040 (26.4)	1.438 (36.5)	1.027 (26.1)	.525 (13.3)	1.060 (26.9)	1.630 (41.4)	1.730 (43.9)
22	23	11 and 16	1.120 (28.4)	1.505 (38.2)	1.152 (29.3)	.595 (15.1)	1.130 (28.7)	1.750 (44.5)	1.800 (45.7)
24	25	07, 13 and 17	1.180 (30.0)	1.572 (39.9)	1.276 (32.4)	.655 (16.6)	1.190 (30.2)	1.880 (47.8)	1.860 (47.2)
24*	25		1.020 (26.0)	1.850 (47.0)	1.460 (37.1)	.450 (11.4)			

\*See Note 4

Consult factory for shrink boot part numbers for elliptical parts

TABLE IV: CABLE ENTRY

Entry Code	D ± .030	E ± .060	F ± .090	Shrink Boot
04	.250 (6.4)	.720 (18.3)	.870 (22.1)	770-003S103
05	.310 (7.9)	.750 (19.1)	.930 (23.6)	770-003S104
07	.440 (11.2)	.750 (19.1)	1.000 (25.4)	770-003S104
09	.560 (14.2)	.760 (19.3)	1.030 (26.2)	770-003S105
11	.680 (17.3)	.780 (19.8)	1.050 (26.7)	770-003S106
13	.810 (20.6)	.790 (20.1)	1.060 (26.9)	770-003S106
15	.940 (23.9)	.820 (20.8)	1.090 (27.7)	770-003S107
16	1.000 (25.4)	.860 (21.8)	1.130 (28.7)	770-003S107
17	1.160 (29.5)	.890 (22.6)	1.160 (29.5)	770-003S107

TABLE II: FINISH

Symbol	Finish Description
XM	2000 Hour Corrosion Resistant Electroless Nickel
XMT	2000 Hour Corrosion Resistant Ni-PTFE, Nickel-Fluorocarbon Polymer. <i>1000 Hour Grey™</i>
XW	2000 Hour Corrosion Resistant Cadmium/Olive Drab over Electroless Nickel

## NOTES

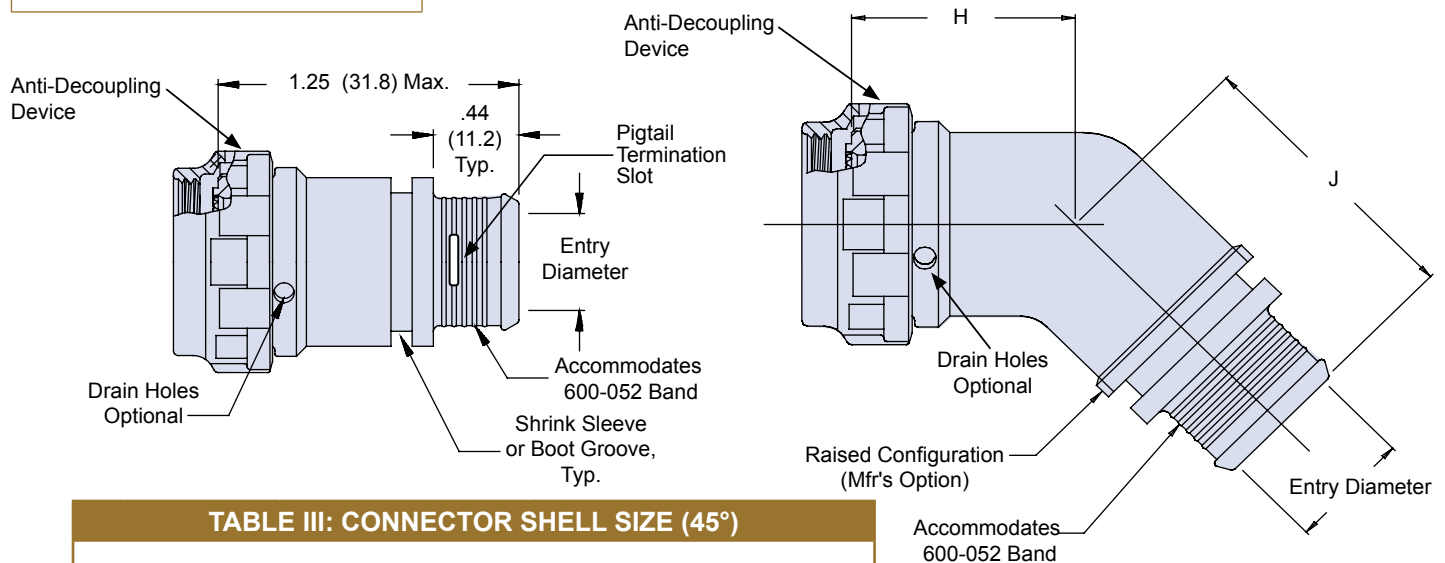
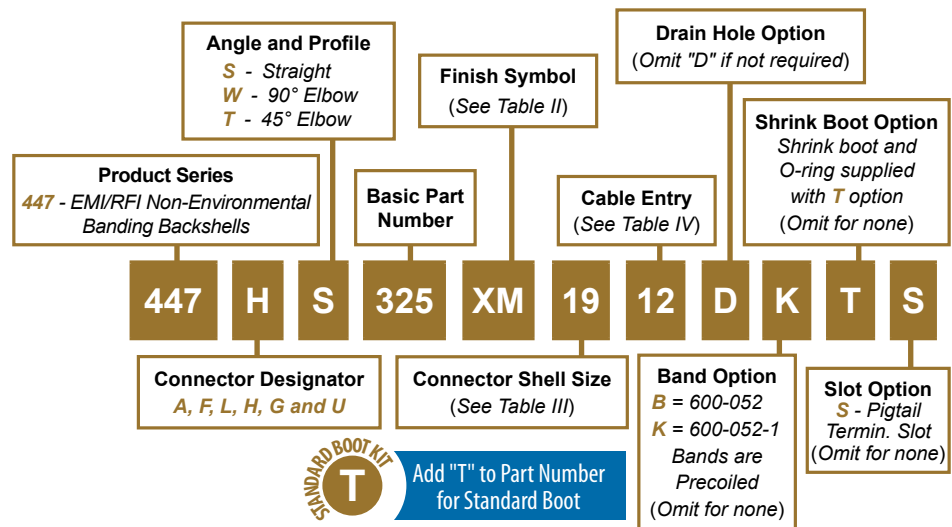
- 770-001S\*\*-0 shrink boot supplied with T option. See shrink boot product pages for more details.
- O-Ring will not be supplied with Connector Designator A.
- Coupling nut supplied unplated.
- See Table I on Page H-26 for front-end dimensional details.

Dimensions in inches (millimeters) and are subject to change without notice.



# 447-325 Composite Standard Profile EMI/RFI Banding Backshell with Shrink Boot Porch and Self-Locking Rotatable Coupling

CONNECTOR DESIGNATOR:	
<b>A</b>	MIL-DTL-5015, -26482 Series II, and -83723 Series I and III
<b>F</b>	MIL-DTL-38999 Series I, II
<b>L</b>	MIL-DTL-38999 Series 1.5 (JN1003)
<b>H</b>	MIL-DTL-38999 Series III and IV
<b>G</b>	MIL-DTL-28840
<b>U</b>	DG123 and DG123A
<b>SELF-LOCKING</b>	
<b>ROTATABLE COUPLING</b>	
<b>STANDARD PROFILE</b>	



**TABLE III: CONNECTOR SHELL SIZE (45°)**

Shell Size For Connector Designator*					H	J	Max Entry Dash No. (Table IV)**
<b>A</b>	<b>F/L</b>	<b>H</b>	<b>G</b>	<b>U</b>	± .06 (1.5)	± .09 (2.3)	
08	08	09	-	-	.72 (18.3)	1.00 (25.4)	04
10	10	11	-	08	.75 (19.1)	1.06 (26.9)	06
12	12	13	11	10	.75 (19.1)	1.13 (28.7)	08
14	14	15	13	12	.76 (19.3)	1.16 (29.5)	10
16	16	17	15	14	.78 (19.8)	1.18 (30.0)	12
18	18	19	17	16	.79 (20.1)	1.19 (30.2)	13
20	20	21	19	18	.82 (20.8)	1.22 (31.0)	15
22	22	23	-	20	.86 (21.8)	1.26 (32.0)	17
24	24	25	23	22	.89 (22.6)	1.29 (32.8)	19
28	-	-	25	24	.92 (23.4)	1.32 (33.5)	22

\*\*Consult factory for additional entry sizes available.

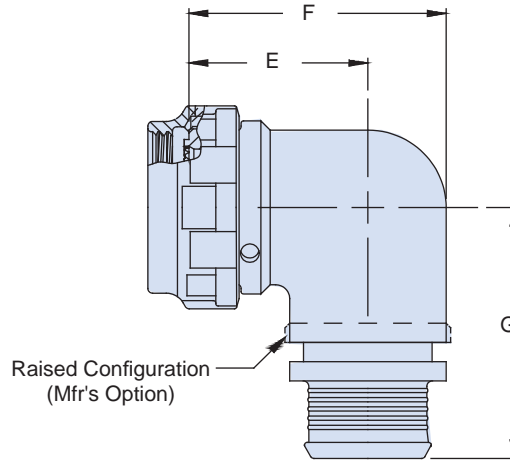
\*See Page Table I on H-26 for additional connector front-end details.

## NOTES

- 770-001S\*\*-0 shrink boot supplied with T option. See shrink boot product pages for more details.
- O-Ring will not be supplied with Connector Designator A.
- Coupling nut supplied unplated.
- Consult factory for O-Ring to be supplied with part less shrink boot.
- Metric dimensions (mm) are in parenthesis and are for reference only.
- See Table I on Page H-26 for front-end dimensional details.

Dimensions in inches (millimeters) and are subject to change without notice.

**Composite Standard Profile EMI/RFI  
Banding Backshell with Shrink Boot Porch  
and Self-Locking Rotatable Coupling**



**TABLE IV: CABLE ENTRY**

Entry Code	Entry Dia. ± .03 (.08)	Dash No.	Entry Dia. ± .03 (.08)	Shrink Boot
03	.19 (6.4)	13	.81 (20.6)	770-003S102
04	.25 (7.9)	14	.88 (22.4)	770-003S103
05	.31 (11.2)	15	.94 (23.9)	770-003S104
06	.38 (14.2)	16	1.00 (25.4)	770-003S104
07	.44 (17.3)	17	1.06 (26.9)	770-003S104
08	.50 (20.6)	18	1.13 (28.7)	770-003S105
09	.56 (23.9)	19	1.19 (30.2)	770-003S105
10	.63 (25.4)	20	1.25 (31.8)	770-003S105
11	.69 (29.5)	22	1.38 (35.1)	770-003S106
12	.75 (19.1)			770-003S106

**TABLE II: FINISH**

Symbol	Finish Description
XM	2000 Hour Corrosion Resistant Electroless Nickel
XMT	2000 Hour Corrosion Resistant Ni-PTFE, Nickel-Fluorocarbon Polymer. 1000 Hour Grey™
XW	2000 Hour Corrosion Resistant Cadmium/Olive Drab over Electroless Nickel

**TABLE III: CONNECTOR SHELL SIZE (90°)**

Shell Size For Connector Designator*					E	F	G	Max Entry Dash No. (Table IV)**
A	F/L	H	G	U	± .06 (1.5)	± .09 (2.3)	± .09 (2.3)	
08	08	09	-	-	.69 (17.5)	.88 (22.4)	1.19 (30.2)	04
10	10	11	-	08	.75 (19.1)	1.00 (25.4)	1.25 (31.8)	06
12	12	13	11	10	.81 (20.6)	1.13 (28.7)	1.31 (33.3)	08
14	14	15	13	12	.88 (22.4)	1.31 (33.3)	1.38 (35.1)	10
16	16	17	15	14	.94 (23.9)	1.38 (35.1)	1.44 (36.6)	12
18	18	19	17	16	.97 (24.6)	1.44 (36.6)	1.47 (37.3)	13
20	20	21	19	18	1.06 (26.9)	1.63 (41.4)	1.56 (39.6)	15
22	22	23	-	20	1.13 (28.7)	1.75 (44.5)	1.63 (41.4)	17
24	24	25	23	22	1.19 (30.2)	1.88 (47.8)	1.69 (42.9)	19
28	-	-	25	24	1.34 (34.0)	2.13 (54.1)	1.78 (17.5)	22

\*\*Consult factory for additional entry sizes available.

\*See Page Table I on H-26 for additional connector front-end details.

Dimensions in inches (millimeters) and are subject to change without notice.

CAGE Code 06324

Printed in U.S.A.

SERIES 77

# FULL NELSON

ADHESIVES, TOOLS AND ASSEMBLY INSTRUCTIONS



**G**lenair provides application guides and assembly instructions to support operators who have been trained in the installation of heat shrinkable products, as well as in the use of special adhesives such as two-part epoxy—the most efficient and effective adhesive we supply due to its superior bond strength, higher temperature range and better chemical resistance compared to hot melt adhesive. Please note that *Material Safety Data Sheets (MSDS) are available at [www.glenair.com/compliance/](http://www.glenair.com/compliance/)*



### About User-Installed Epoxy

Epoxy adhesive provides superior bond strength, higher temperature range and better chemical resistance compared to hot melt adhesive. Glenair supplies both type R one-part epoxy pre-coating as well as user-installed two part epoxy—which offers several advantages including reduced boot installation time and an easier installation process. Pre-coated boots require additional care to install because the boot must be heated sufficiently to activate the epoxy, at the risk of overheating the overall assembly. User-installed epoxy has a four hour pot life, and only a small amount is necessary, so a single 50 ml duo syringe can coat many boots. The duo syringe can be re-capped for re-use. Inexpensive mixing nozzles must be discarded after each use. **NOTE: Glenair high-performance two part epoxy meets VG95343 part 15.**

### Two Part Epoxy



High performance flexible two part thermoset epoxy provides high strength flexible bond from -75°C to 150°C. 50 ml duo syringe fits standard dispensing guns. Use with square green mixing nozzle sold separately. 12 hour cure time at 20°C, 1 hour at 85°C, 30 minutes at 150°C. Apply to inside of boot with wooden spatula. 18 month shelf life.

Part Number
779-001

### Epoxy Dispensing Gun



Twin push-rod 1:1 ratio epoxy dispensing gun for use with duo syringe epoxy and mixing nozzle sold separately. Durable heavy-duty plastic. Gun type hand grip with ratcheting trigger to advance push-rods.

Part Number
779-002

### Epoxy Mixing Nozzle



1:1 ratio mixing nozzle attaches to duo syringe with 1/2 turn and locks into place. Nozzle provides consistent mixing of resin and hardener. Kit consists of (12) nozzles.

Part Number	Count Per Pack
779-003	12

Dimensions in inches (millimeters) and are subject to change without notice.



## Series 77 Shrink Boots General Installation Guide

### GENERAL INSTALLATION GUIDES FOR GLENAIR HEAT SHRINK BOOTS

#### METHODS FOR SHRINKING PARTS

These application guides are to support operators who have been trained in the installation of heat shrinkable products, the use of adhesives and product evaluation. Operators will have been made aware of all health and safety issues and is aware of the relevant MSDSs for heat shrink materials, specified adhesives and cleaning materials. **Material Safety Data Sheets (MSDS) are available at [www.glenair.com/html/compliance.htm](http://www.glenair.com/html/compliance.htm)**

#### CAUTION

The use of heat shrinkable products entails the potential exposure of people to heat, solvents and gases. Every precaution is to be taken against harmful effects by the use of protective gloves, safety glasses and good ventilation. All local health and safety regulations should be adhered to and operators should follow designated safe working practices. The use of protective gloves and barrier creams are recommended when using solvents and adhesives. Repeated skin contact should be avoided and care should be taken to wear safety glasses when handling these materials. Attention should be taken of the recommendations of the relevant MSDS sheets for the materials being used.

#### APPLICATION EQUIPMENT

##### Heat Source

A suitable Leister or Steinel hot air gun is recommended. Other heat guns may be used but these must be able to deliver hot air at the temperatures recommended in these installation guides. Reflectors can assist in the process of recovering parts. Always ensure the air vent on the rear of the hot air gun is open and free of dust and or other materials. Always allow the hot air gun to reach the required temperature and to stabilize before starting to shrink parts. It is recommended that the Heat Gun is calibrated daily by the use of a thermocouple positioned 25mm from the end of the nozzle.

#### CAUTION

The surfaces of the nozzles and reflectors reach high temperatures and will cause burns if touched. Great care should be taken when handling these tools especially after use since they take a considerable time to cool.

##### Cleaning Materials

100 grit Emery Cloth is recommended for cleaning and abrading surfaces to be adhered to. Isopropyl alcohol (IPA) is recommended for degreasing either as a liquid or an impregnated tissue. (Note safety issues on the use of solvents already documented in this guide.)

Dimensions in inches (millimeters) and are subject to change without notice.

© 2011 Glenair, Inc.

CAGE Code 06324

Printed in U.S.A.

GLENAIR, INC. • 1211 AIR WAY • GLENDALE, CA 91201-2497 • 818-247-6000 • FAX 818-500-9912

[www.glenair.com](http://www.glenair.com)

I-2

E-Mail: [sales@glenair.com](mailto:sales@glenair.com)



**PROCEDURE**

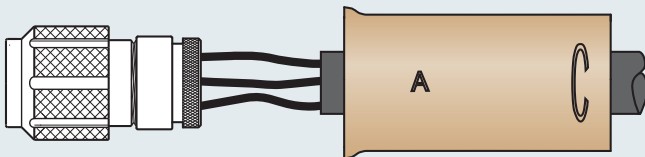
The following general instructions are applicable to all Glenair heatshrink boots. Specific instructions for surface preparation, the use of adhesive and specific conditions for each molding material are given in the relevant sections following these general instructions.

**APPLICATION NOTE**

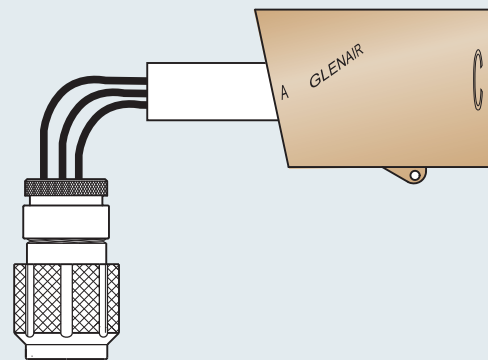
**When preheating of a connector or adaptor is required because of size then care should be taken not to damage any insulation or plastic material on either the connector or the wire insulation. Heat should only be applied to metal areas. DO NOT PREHEAT COMPOSITE PARTS.**

**STEP 1: PLACE BOOT ON CABLE**

Position the boot so that the lipped "A" end is toward the adapter and the "C" end is toward the cable .



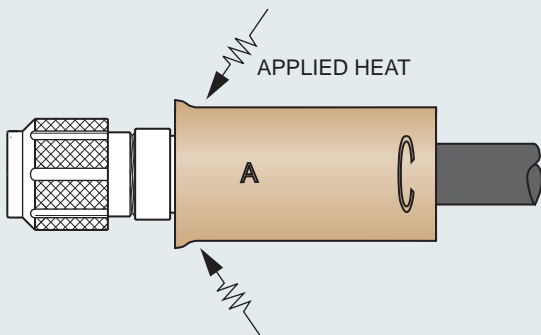
**Straight**



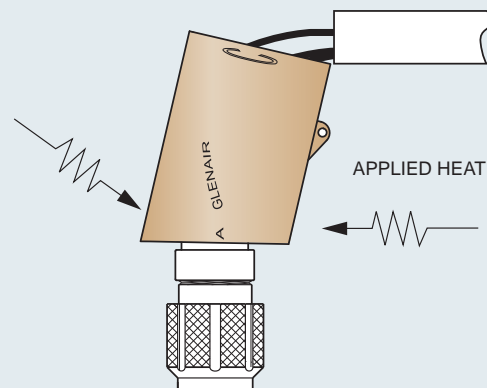
**Right Angle**

**STEP 2: APPLY HEAT TO ADAPTER END OF BOOT**

Position the boot so that the lipped "A" end will recover into the groove of the adapter. Apply heat evenly around the boot at the adapter end. Ensure the boot is fully recovered and the lip fits into the groove of the adapter. This will take approximately 30 seconds for a size 04 or 05 boot, less for smaller parts and longer for larger boots.



**Straight**



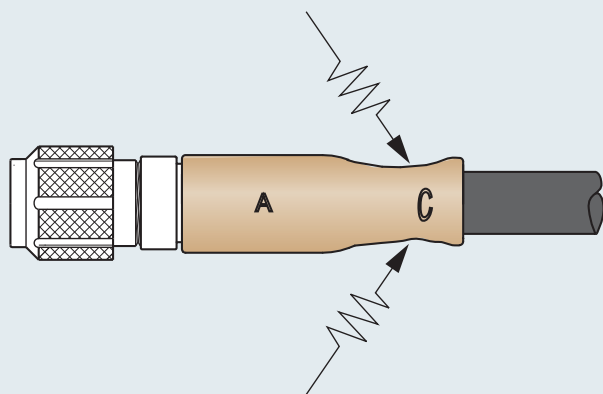
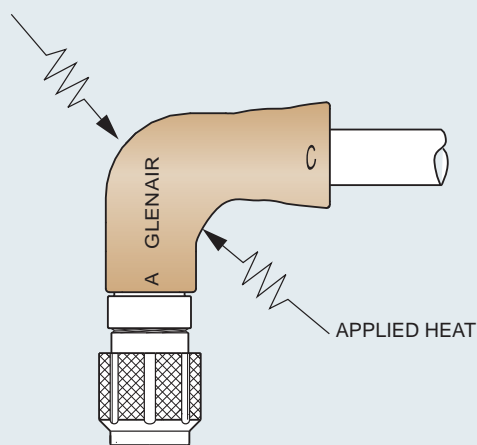
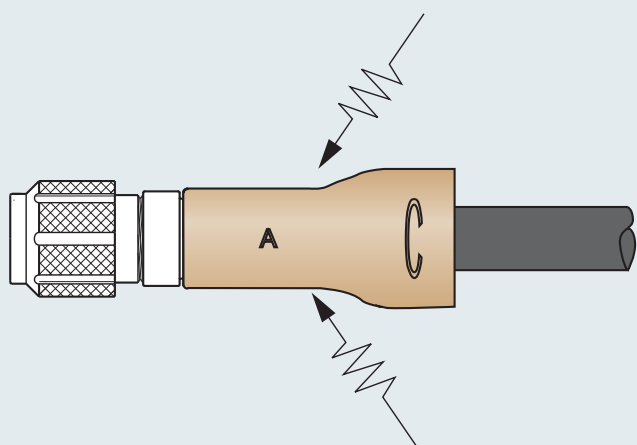
**Right Angle**

Dimensions in inches (millimeters) and are subject to change without notice.

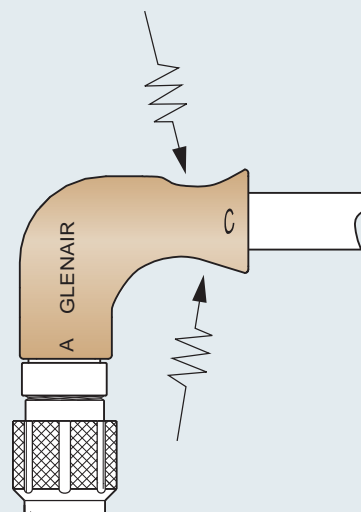
### STEP 3: CONTINUE APPLYING HEAT TOWARD THE "C" END OF BOOT

Continue to heat down the body of the boot towards the "C" end. Apply heat in brush-like strokes, ensuring the last part to recover is the "C" end. A feature of the Glenair boots is that, unlike other boots, they resist the tendency to fold over at the "C" end.

After the boot is recovered, apply further post heat (typically 90-150 seconds) to ensure the adhesive flows and bonds. Refer to the specific slash sheets for these conditions. Great care must be taken to ensure the boot is not scorched or blistered or otherwise damaged during this process. The development of a high gloss is an indication that the part is reaching too high a temperature.



**Straight**



**Right Angle**

Dimensions in inches (millimeters) and are subject to change without notice.

CAGE Code 06324

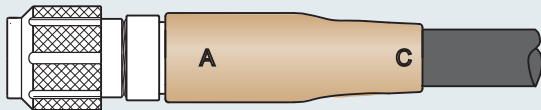
Printed in U.S.A.

**STEP 4: AFTER BOOT IS FULLY RECOVERED, APPLY FURTHER HEAT TO "A" END**

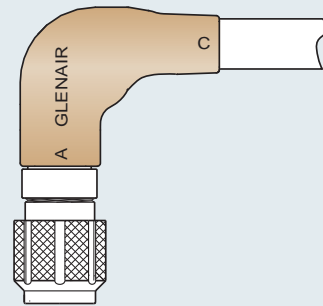
After the boot is fully recovered, apply additional heat to the "A" end to ensure adhesive melting and good adhesion. Typically this post heating will require 90-150 seconds depending on size. Refer to the specific instructions for each boot and adhesive type following this section. Care should be taken to avoid damaging the boot with excessive heat. Allow the parts to fully cool before handling.

**CAUTION**

**The recovered parts will remain hot for some time and will be capable of burning skin if touched. Molten adhesive may also cause burns and adhere to exposed skin.**



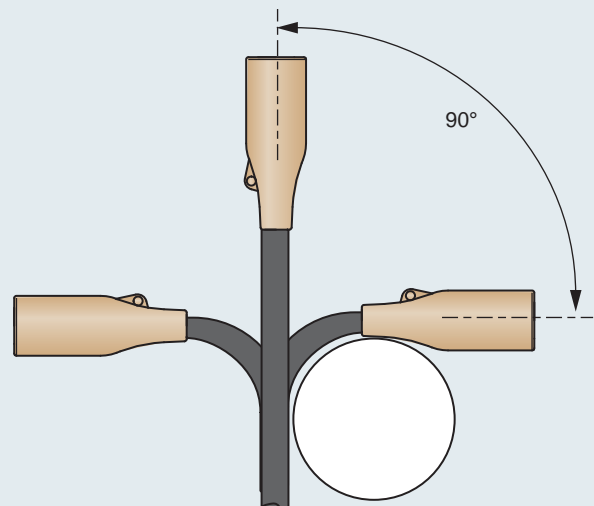
**Straight**



**Right Angle**

**STEP 5: INSPECTION OF INSTALLED HEATSHRINK BOOT**

1. The boot should be free of blisters, scorch marks and essentially free from distortion.
2. Any excessive adhesive should be removed.
3. The boot lip should be seated into the adapter groove, and the boot should be properly oriented (straight or right angle).
4. A small fillet of adhesive should be visible between the boot and the cable jacket.
5. The termination should be subjected to a 90° flex test in each of the four planes around a mandrel with a diameter equal to 6X the cable diameter. Note: this is a flex test and not subjected to a tensile force. The joint should not be flexed until the boot has fully cooled and the adhesive cured for the specific times given in the following section.

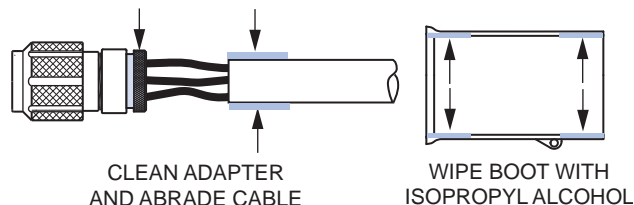


#### INSTALLATION OF HEATSHRINK BOOTS WITH USER-INSTALLED TWO PART EPOXY ADHESIVE

Glenair two part epoxy is compatible with Type 1, 2, 3, 5, 6 and 7 materials. Part number 779-001 duo syringe, 779-002 dispensing gun and 779-003 mixing nozzle are recommended. Epoxy complies with BS G 198 Type U, EC 62329 and VG 95343 Part 15. Only adhesives that meet the requirements of these specifications are recommended.

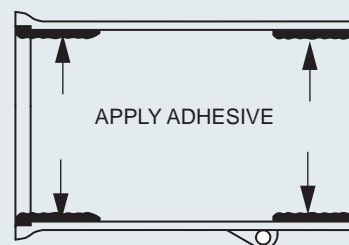
#### Surface Preparation

1. Prepare the inside of the boot in the areas where it will adhere to the adapter and cable jacket by degreasing with isopropyl alcohol or IPA impregnated wipes.
2. Abrade the cable jacket thoroughly with 100 grit emery cloth in the region where the part will recover. Remove loose particles with a dry tissue.



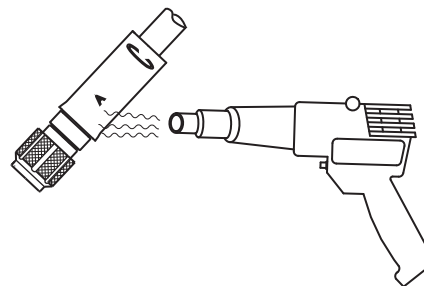
#### Adhesive Application

1. Prepare adhesive in accordance with the instructions supplied with the adhesive.
2. Apply adhesive to both the "A" and "C" ends of the boot. It is recommended to dispense the adhesive directly onto the surface of the boot. Smooth out the adhesive using a suitable wooden mixing stick.



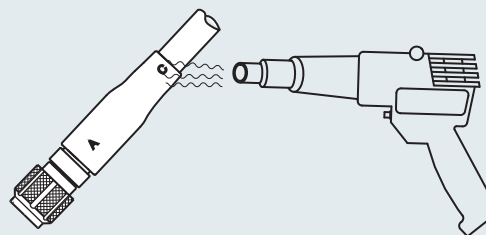
#### Installation

1. Set heat gun temperature to 230-250 °C (446°-482°F), measured at 25mm (1") from the nozzle exit.
2. Allow the heat gun 2 minutes to stabilize.
3. Recover boot in accordance with the general installation procedures.



#### Post Installation

1. Remove any excess adhesive using a dry tissue.
2. Apply a few seconds of additional heat to the "C" end to force a small amount of adhesive to flow and form a fillet between the boot and cable jacket. If necessary smooth fillet with a wooden mixing stick.



#### Curing Schedule

12 hours at room temperature, 2 hours at 70 °C (158°F), 1 hour at 85 °C (185°F), 30 minutes at 150 °C (302°F).

Dimensions in inches (millimeters) and are subject to change without notice.

CAGE Code 06324

Printed in U.S.A.

# Series 77 Shrink Boots Installation Instructions: Type R Epoxy Pre-Coat

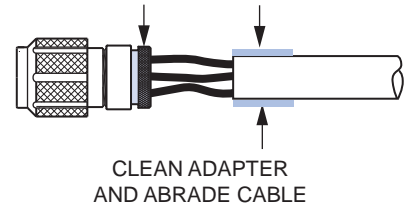


## INSTALLATION OF HEATSHRINK BOOTS WITH TYPE R PRE-COATED EPOXY

The following instructions apply to heatshrink boots with Type 1, 2 and 5 High Performance material and type R one part thermoset epoxy. These boots are pre-coated at the factory.

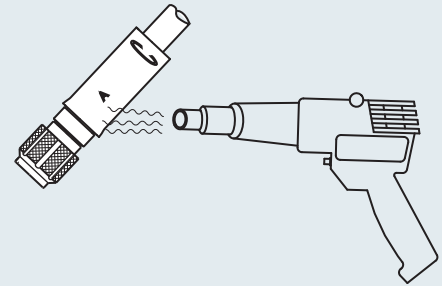
### Surface Preparation

1. No preparation of the heatshrink boot is required.
2. Degrease the adapter using isopropyl alcohol or IPA impregnated wipes.
2. Abrade the cable jacket thoroughly with 100 grit emery cloth in the region where the part will recover. Remove loose particles with a dry tissue.



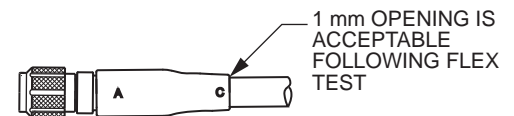
### Installation

1. Set heat gun temperature to 230-250 °C (446°-482°F), measured at 25mm (1") from the nozzle exit.
2. Allow the heat gun 2 minutes to stabilize.
3. Recover boot in accordance with the general installation procedures, except as follows:
  - Do not apply hot air directly onto the adhesive lining of the boot as this may cause premature curing of the epoxy.
  - After the boot has been recovered remove any excess adhesive with a tissue.
  - Apply a post heat period of 2 minutes to both the "A" and "C" end to ensure full cure of the adhesive.



### Post Installation and Inspection

1. Allow the part two hours before the inspection stage; however, once the part has cooled the harness can be handled with care.
2. Joints should be inspected per the General Installation Guide.
3. When inspecting boots with Type R epoxy pre-coat, it is acceptable to see a slight opening on the extreme edge of the cable to a maximum of 1mm (.040").



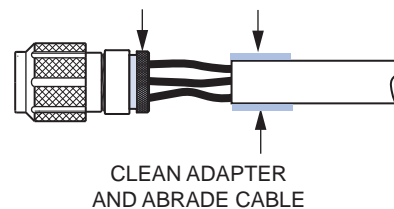
Dimensions in inches (millimeters) and are subject to change without notice.

#### INSTALLATION OF HEATSHRINK BOOTS WITH TYPE W1 HOT MELT ADHESIVE

The following instructions apply to heatshrink boots with Type 1, 2, 5, 6 and 7 High Performance material or Type 2 Low Smoke/Zero Halogen material and type W1 high temperature hot melt adhesive. These boots are pre-coated at the factory.

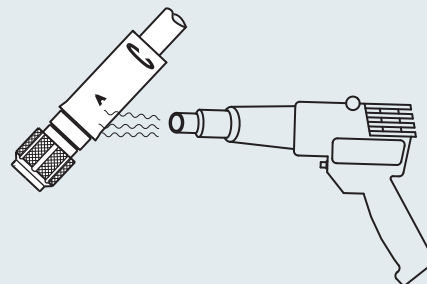
#### Surface Preparation

1. No preparation of the heatshrink boot is required.
2. Degrease the adapter using isopropyl alcohol or IPA impregnated wipes.
2. Abrade the cable jacket thoroughly with 100 grit emery cloth in the region where the part will recover. Remove loose particles with a dry tissue.



#### Installation

1. Set heat gun temperature to 230-250 °C (446°-482°F), measured at 25mm (1") from the nozzle exit.
2. Allow the heat gun 2 minutes to stabilize.
3. Recover boot in accordance with the general installation procedures, except as follows:
  - After the boot has been recovered remove any excess adhesive with a tissue.
  - Apply a post heat period of 2 minutes to both the "A" and "C" end to ensure full flow and adhesion of the adhesive. A flow of adhesive around the "C" cable end should be evident.



#### Post Installation and Inspection

1. Allow the part two hours before the inspection stage; however, once the part has cooled the harness can be handled with care.
2. Joints should be inspected per the General Installation Guide.

Dimensions in inches (millimeters) and are subject to change without notice.

CAGE Code 06324

Printed in U.S.A.

# Series 77 Shrink Boots Installation Instructions: Type W2 Hot Melt

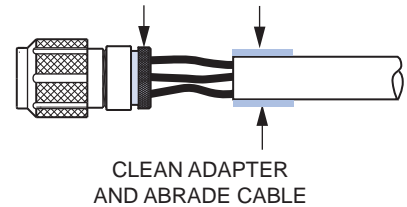


## INSTALLATION OF HEATSHRINK BOOTS WITH TYPE W2 HOT MELT ADHESIVE

The following instructions apply to heatshrink boots with Type 1, 2, 3 and 7 high performance materials and type W2 hot melt adhesive. These boots are pre-coated at the factory.

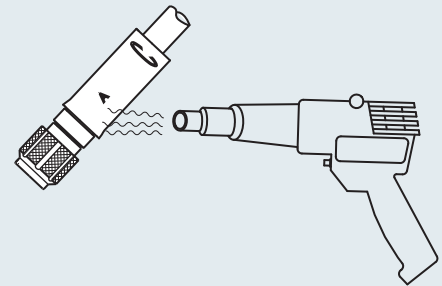
### Surface Preparation

1. No preparation of the heatshrink boot is required.
2. Degrease the adapter using isopropyl alcohol or IPA impregnated wipes.
2. Abrade the cable jacket thoroughly with 100 grit emery cloth in the region where the part will recover. Remove loose particles with a dry tissue.



### Installation

1. Set heat gun temperature to 200-220 °C (392°-428°F), measured at 25mm (1") from the nozzle exit.
2. Allow the heat gun 2 minutes to stabilize.
3. Recover boot in accordance with the general installation procedures, except as follows:
  - After the boot has been recovered remove any excess adhesive with a tissue.
  - Apply a post heat period of 30 seconds to both the "A" and "C" end to ensure full flow and adhesion of the adhesive. A flow of adhesive around the "C" cable end should be evident.



### Post Installation and Inspection

1. Allow the part two hours before the inspection stage; however, once the part has cooled the harness can be handled with care.
2. Joints should be inspected per the General Installation Guide.

Dimensions in inches (millimeters) and are subject to change without notice.

**Held Hostage to Long Lead Times?  
*Need a Boot Now?*  
Glenair Series 77 Boots In Stock!**



1211 Air Way  
Glendale, California 91201-2497

Telephone: 818-247-6000 · Facsimile: 818-500-9912 · E-mail: [sales@glenair.com](mailto:sales@glenair.com)

United States · United Kingdom · Germany · Nordic · France · Italy · Spain · Japan

[www.glenair.com](http://www.glenair.com)



## Series 77 Shrink Boots Part Number Index



310-001	H-6	770-001A205	C-4	770-001B204W1	C-9
310-017	H-30	770-001A205W1	C-4	770-001B204W2	C-9
310-034	H-8	770-001A205W2	C-4	770-001B204R	C-9
310-045	H-28	770-001A205R	C-4	770-001B205	C-9
311-001	H-10	770-001A206	C-4	770-001B205W1	C-9
319-001	H-12	770-001A206W1	C-4	770-001B205W2	C-9
319-044	H-14	770-001A206W2	C-4	770-001B205R	C-9
380-132	H-31	770-001A206R	C-4	770-001B206	C-9
440-069	H-16	770-001A207	C-4	770-001B206W1	C-9
440-144	H-32	770-001A207W1	C-4	770-001B206W2	C-9
447-325	H-34	770-001A207W2	C-4	770-001B206R	C-9
630-022	J-24	770-001A207R	C-4	770-001B207	C-9
AS85049/59	H-19	770-001A208	C-4	770-001B207W1	C-9
AS85049/60-1	H-20	770-001A208W1	C-4	770-001B207W2	C-9
AS85049/62	H-22	770-001A208W2	C-4	770-001B207R	C-9
AS85049/69	H-23	770-001A208R	C-4	770-001B303	C-9
AS85049/60-2G	H-21	770-001A209	C-4	770-001B303W2	C-9
M83723/27M	H-18	770-001A209W1	C-4	770-001B304	C-9
MS3158	H-20	770-001A209W2	C-4	770-001B304W2	C-9
MS3416-G	H-21	770-001A209R	C-4	770-001B305	C-9
MS38999/2	H-22	770-001A303	C-5	770-001B305W2	C-9
770-001A103	C-3	770-001A303W2	C-5	770-001B306	C-9
770-001A103W1	C-3	770-001A304	C-5	770-001B306W2	C-9
770-001A103W2	C-3	770-001A304W2	C-5	770-001B307	C-9
770-001A103R	C-3	770-001A305	C-5	770-001B307W2	C-9
770-001A104	C-3	770-001A305W2	C-5	770-001S103	B-3
770-001A104W1	C-3	770-001A306	C-5	770-001S103W1	B-3
770-001A104W2	C-3	770-001A306W2	C-5	770-001S103W2	B-3
770-001A104R	C-3	770-001A307	C-5	770-001S103R	B-3
770-001A105	C-3	770-001A307W2	C-5	770-001S104	B-3
770-001A105W1	C-3	770-001A308	C-5	770-001S104W1	B-3
770-001A105W2	C-3	770-001A308W2	C-5	770-001S104W2	B-3
770-001A105R	C-3	770-001B103	C-8	770-001S104R	B-3
770-001A106	C-3	770-001B103W1	C-8	770-001S105	B-3
770-001A106W1	C-3	770-001B103W2	C-8	770-001S105W1	B-3
770-001A106W2	C-3	770-001B103R	C-8	770-001S105W2	B-3
770-001A106R	C-3	770-001B104	C-8	770-001S105R	B-3
770-001A107	C-3	770-001B104W1	C-8	770-001S106	B-3
770-001A107W1	C-3	770-001B104W2	C-8	770-001S106W1	B-3
770-001A107W2	C-3	770-001B104R	C-8	770-001S106W2	B-3
770-001A107R	C-3	770-001B105	C-8	770-001S106R	B-3
770-001A108	C-3	770-001B105W1	C-8	770-001S107	B-3
770-001A108W1	C-3	770-001B105W2	C-8	770-001S107W1	B-3
770-001A108W2	C-3	770-001B105R	C-8	770-001S107W2	B-3
770-001A108R	C-3	770-001B106	C-8	770-001S107R	B-3
770-001A109	C-3	770-001B106W1	C-8	770-001S108	B-3
770-001A109W1	C-3	770-001B106W2	C-8	770-001S108W1	B-3
770-001A109W2	C-3	770-001B106R	C-8	770-001S108W2	B-3
770-001A109R	C-3	770-001B107	C-8	770-001S108R	B-3
770-001A203	C-4	770-001B107W1	C-8	770-001S109	B-3
770-001A203W1	C-4	770-001B107W2	C-8	770-001S109W1	B-3
770-001S203W2	C-4	770-001B107R	C-8	770-001S109W2	B-3
770-001A203R	C-4	770-001B203	C-9	770-001S109R	B-3
770-001A204	C-4	770-001B203W1	C-9	770-001S203	B-4
770-001A204W1	C-4	770-001B203W2	C-9	770-001S203W1	B-4
770-001A204W2	C-4	770-001B203R	C-9	770-001S203W2	B-4
770-001A204R	C-4	770-001B204	C-9	770-001S203R	B-4



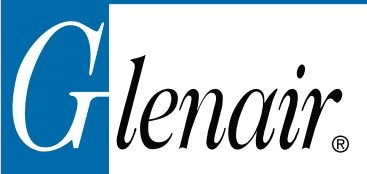
## Series 77 Shrink Boots Part Number Index

770-001S204.....	B-4	770-002S107R.....	B-8	770-003A103W1.....	C-3
770-001S204W1.....	B-4	770-002S108.....	B-8	770-003A103W2.....	C-3
770-001S204W2.....	B-4	770-002S108W1.....	B-8	770-003A103R.....	C-3
770-001S204R.....	B-4	770-002S108W2.....	B-8	770-003A104.....	C-3
770-001S205.....	B-4	770-002S108R.....	B-8	770-003A104W1.....	C-3
770-001S205W1.....	B-4	770-002S109.....	B-8	770-003A103W2.....	C-3
770-001S205W2.....	B-4	770-002S109W1.....	B-8	770-003A104R.....	C-3
770-001S205R.....	B-4	770-002S109W2.....	B-8	770-003A105.....	C-3
770-001S206.....	B-4	770-002S109R.....	B-8	770-003A105W1.....	C-3
770-001S206W1.....	B-4	770-002S203.....	B-9	770-003A104W2.....	C-3
770-001S206W2.....	B-4	770-002S203W1.....	B-9	770-003A105R.....	C-3
770-001S206R.....	B-4	770-002S203W2.....	B-9	770-003A106.....	C-3
770-001S207.....	B-4	770-002S203R.....	B-9	770-003A106W1.....	C-3
770-001S207W1.....	B-4	770-002S204.....	B-9	770-003A105W2.....	C-3
770-001S207W2.....	B-4	770-002S204W1.....	B-9	770-003A106R.....	C-3
770-001S207R.....	B-4	770-002S204W2.....	B-9	770-003A107W1.....	C-3
770-001S208.....	B-4	770-002S204R.....	B-9	770-003A106W2.....	C-3
770-001S208W1.....	B-4	770-002S205.....	B-9	770-003A107R.....	C-3
770-001S208W2.....	B-4	770-002S205W1.....	B-9	770-003A108.....	C-3
770-001S208R.....	B-4	770-002S205W2.....	B-9	770-003A108W1.....	C-3
770-001S209.....	B-4	770-002S205R.....	B-9	770-003A107W2.....	C-3
770-001S209W1.....	B-4	770-002S206.....	B-9	770-003A108R.....	C-3
770-001S209W2.....	B-4	770-002S206W1.....	B-9	770-003A108W2.....	C-3
770-001S209R.....	B-4	770-002S206W2.....	B-9	770-003A202.....	C-4
770-001S303.....	B-5	770-002S206R.....	B-9	770-003A202W1.....	C-4
770-001S303W2.....	B-5	770-002S207.....	B-9	770-00A202W2.....	C-4
770-001S304.....	B-5	770-002S207W1.....	B-9	770-003A202R.....	C-4
770-001S304W2.....	B-5	770-002S207W2.....	B-9	770-003A203.....	C-4
770-001S305.....	B-5	770-002S207R.....	B-9	770-003A203W1.....	C-4
770-001S305W2.....	B-5	770-002S208.....	B-9	770-003A203W2.....	C-4
770-001S306.....	B-5	770-002S208W1.....	B-9	770-003A203R.....	C-4
770-001S306W2.....	B-5	770-002S208W2.....	B-9	770-003A204.....	C-4
770-001S307.....	B-5	770-002S208R.....	B-9	770-003A204W1.....	C-4
770-001S307W2.....	B-5	770-002S209.....	B-9	770-003A204W2.....	C-4
770-001S308.....	B-5	770-002S209W1.....	B-9	770-003A204R.....	C-4
770-001S308W2.....	B-5	770-002S209W2.....	B-9	770-003A205.....	C-4
770-001S309.....	B-5	770-002S209R.....	B-9	770-003A205W1.....	C-4
770-001S309W2.....	B-5	770-002S303.....	B-10	770-003A205W2.....	C-4
770-002S103.....	B-8	770-002S303W2.....	B-10	770-003A205R.....	C-4
770-002S103W1.....	B-8	770-002S304.....	B-10	770-003A206.....	C-4
770-002S103W2.....	B-8	770-002S304W2.....	B-10	770-003A206W1.....	C-4
770-002S103R.....	B-8	770-002S305.....	B-10	770-003A206W2.....	C-4
770-002S104.....	B-8	770-002S305W2.....	B-10	770-003A206R.....	C-4
770-002S104W1.....	B-8	770-002S306.....	B-10	770-003A207.....	C-4
770-002S104W2.....	B-8	770-002S306W2.....	B-10	770-003A207W1.....	C-4
770-002S104R.....	B-8	770-002S307.....	B-10	770-003A207W2.....	C-4
770-002S105.....	B-8	770-002S307W2.....	B-10	770-003A207R.....	C-4
770-002S105W1.....	B-8	770-002S308.....	B-10	770-003A208.....	C-4
770-002S105W2.....	B-8	770-002S308W2.....	B-10	770-003A208W1.....	C-4
770-002S105R.....	B-8	770-002S309.....	B-10	770-003A208W2.....	C-4
770-002S106.....	B-8	770-002S309W2.....	B-10	770-003A208R.....	C-4
770-002S106W1.....	B-8	770-003A107.....	C-3	770-003A302.....	C-5
770-002S106W2.....	B-8	770-003A102.....	C-3	770-003A302W2.....	C-5
770-002S106R.....	B-8	770-003A102W1.....	C-3	770-003A303.....	C-5
770-002S107.....	B-8	770-003A102W2.....	C-3	770-003A303W2.....	C-5
770-002S107W1.....	B-8	770-003A102R.....	C-3	770-003A304.....	C-5
770-002S107W2.....	B-8	770-003A103.....	C-3	770-003A304W2.....	C-5

## Series 77 Shrink Boots Part Number Index



770-003A305.....	C-5	770-003B307W2.....	C-10	770-003S204.....	B-4
770-003A305W2.....	C-5	770-003S100.....	B-3	770-003S204W1.....	B-4
770-003A306.....	C-5	770-003S100W1.....	B-3	770-003S204W2.....	B-4
770-003A306W2.....	C-5	770-003S100W2.....	B-3	770-003S204R.....	B-4
770-003A307.....	C-5	770-003S100R.....	B-3	770-003S205.....	B-4
770-003A307W2.....	C-5	770-003S101.....	B-3	770-003S205W1.....	B-4
770-003A308.....	C-5	770-003S101W1.....	B-3	770-003S205W2.....	B-4
770-003A308W2.....	C-5	770-003S101W2.....	B-3	770-003S205R.....	B-4
770-003B103.....	C-8	770-003S101R.....	B-3	770-003S206.....	B-4
770-003B103W1.....	C-8	770-003S102.....	B-3	770-003S206W1.....	B-4
770-003B103W2.....	C-8	770-003S102W1.....	B-3	770-003S206W2.....	B-4
770-003B103R.....	C-8	770-003S102W2.....	B-3	770-003S206R.....	B-4
770-003B104.....	C-8	770-003S102R.....	B-3	770-003S207.....	B-4
770-003B104W1.....	C-8	770-003S103.....	B-3	770-003S207W1.....	B-4
770-003B103W2.....	C-8	770-003S103W1.....	B-3	770-003S207W2.....	B-4
770-003B104R.....	C-8	770-003S103W2.....	B-3	770-003S207R.....	B-4
770-003B105.....	C-8	770-003S103R.....	B-3	770-003S208.....	B-4
770-003B105W1.....	C-8	770-003S104.....	B-3	770-003S208W1.....	B-4
770-003B104W2.....	C-8	770-003S104W1.....	B-3	770-003S208W2.....	B-4
770-003B105R.....	C-8	770-003S104W2.....	B-3	770-003S208R.....	B-4
770-003B106.....	C-8	770-003S104R.....	B-3	770-003S209.....	B-4
770-003B106W1.....	C-8	770-003S105.....	B-3	770-003S209W1.....	B-4
770-003B105W2.....	C-8	770-003S105W1.....	B-3	770-003S209W2.....	B-4
770-003B106R.....	C-8	770-003S105W2.....	B-3	770-003S208R.....	B-4
770-003B107.....	C-8	770-003S105R.....	B-3	770-003S300.....	B-5
770-003B107W1.....	C-8	770-003S106.....	B-3	770-003S300W2.....	B-5
770-003B106W2.....	C-8	770-003S106W1.....	B-3	770-003S301.....	B-5
770-003B107R.....	C-8	770-003S106W2.....	B-3	770-003S301W2.....	B-5
770-003B203.....	C-9	770-003S106R.....	B-3	770-003S302.....	B-5
770-003B203W1.....	C-9	770-003S107.....	B-3	770-003S302W2.....	B-5
770-003B203W2.....	C-9	770-003S107W1.....	B-3	770-003S303.....	B-5
770-003B203R.....	C-9	770-003S107W2.....	B-3	770-003S303W2.....	B-5
770-003B204.....	C-9	770-003S107R.....	B-3	770-003S304.....	B-5
770-003B204W1.....	C-9	770-003S108.....	B-3	770-003S304W2.....	B-5
770-003B204W2.....	C-9	770-003S108W1.....	B-3	770-003S305.....	B-5
770-003B204R.....	C-9	770-003S108W2.....	B-3	770-003S305W2.....	B-5
770-003B205.....	C-9	770-003S108R.....	B-3	770-003S306.....	B-5
770-003B205W1.....	C-9	770-003S109.....	B-3	770-003S306W2.....	B-5
770-003B205W2.....	C-9	770-003S109W1.....	B-3	770-003S307.....	B-5
770-003B205R.....	C-9	770-003S109W2.....	B-3	770-003S307W2.....	B-5
770-003B206.....	C-9	770-003S109R.....	B-3	770-003S308.....	B-5
770-003B206W1.....	C-9	770-003S200.....	B-4	770-003S308W2.....	B-5
770-003B206W2.....	C-9	770-003S200W1.....	B-4	770-003S309.....	B-5
770-003B206R.....	C-9	770-003S200W2.....	B-4	770-003S309W2.....	B-5
770-003B207.....	C-9	770-003S200R.....	B-4	770-004S103.....	B-8
770-003B207W1.....	C-9	770-003S201.....	B-4	770-004S103W1.....	B-8
770-003B207W2.....	C-9	770-003S201W1.....	B-4	770-004S103W2.....	B-8
770-003B207R.....	C-9	770-003S201W2.....	B-4	770-004S103R.....	B-8
770-003B303.....	C-10	770-003S201R.....	B-4	770-004S104.....	B-8
770-003B303W2.....	C-10	770-003S202.....	B-4	770-004S104W1.....	B-8
770-003B304.....	C-10	770-003S202W1.....	B-4	770-004S104W2.....	B-8
770-003B304W2.....	C-10	770-003S202W2.....	B-4	770-004S104R.....	B-8
770-003B305.....	C-10	770-003S202R.....	B-4	770-004S105.....	B-8
770-003B305W2.....	C-10	770-003S203.....	B-4	770-004S105W1.....	B-8
770-003B306.....	C-10	770-003S203W1.....	B-4	770-004S105W2.....	B-8
770-003B306W2.....	C-10	770-003S203W2.....	B-4	770-004S105R.....	B-8
770-003B307.....	C-10	770-003S203R.....	B-4	770-004S106.....	B-8



## Series 77 Shrink Boots Part Number Index

770-004S106W1.....	B-8	770-005A100.....	E-3	770-005A207W1.....	E-4
770-004S106W2.....	B-8	770-005A100W1.....	E-3	770-005A207W2.....	E-4
770-004S106R.....	B-8	770-005A100W2.....	E-3	770-005A207R.....	E-4
770-004S107.....	B-8	770-005A100R.....	E-3	770-005A208.....	E-4
770-004S107W1.....	B-8	770-005A102.....	E-3	770-005A208W1.....	E-4
770-004S107W2.....	B-8	770-005A102W1.....	E-3	770-005A208W2.....	E-4
770-004S107R.....	B-8	770-005A101W2.....	E-3	770-005A208R.....	E-4
770-004S108.....	B-8	770-005A102R.....	E-3	770-005A300.....	E-5
770-004S108W1.....	B-8	770-005A103.....	E-3	770-005A300W2.....	E-5
770-004S108W2.....	B-8	770-005A103W1.....	E-3	770-005A302.....	E-5
770-004S108R.....	B-8	770-005A102W2.....	E-3	770-005A302W2.....	E-5
770-004S109.....	B-8	770-005A103R.....	E-3	770-005A303.....	E-5
770-004S109W1.....	B-8	770-005A104.....	E-3	770-005A303W2.....	E-5
770-004S109W2.....	B-8	770-005A104W1.....	E-3	770-005A304.....	E-5
770-004S109R.....	B-8	770-005A103W2.....	E-3	770-005A304W2.....	E-5
770-004S203.....	B-9	770-005A104R.....	E-3	770-005A305.....	E-5
770-004S203W1.....	B-9	770-005A105.....	E-3	770-005A305W2.....	E-5
770-004S203W2.....	B-9	770-005A105W1.....	E-3	770-005A306.....	E-5
770-004S203R.....	B-9	770-005A104W2.....	E-3	770-005A306W2.....	E-5
770-004S204.....	B-9	770-005A105R.....	E-3	770-005A307.....	E-5
770-004S204W1.....	B-9	770-005A106.....	E-3	770-005A307W2.....	E-5
770-004S204W2.....	B-9	770-005A106W1.....	E-3	770-005A308.....	E-5
770-004S204R.....	B-9	770-005A105W2.....	E-3	770-005A308W2.....	E-5
770-004S205.....	B-9	770-005A106R.....	E-3	770-005S100.....	D-3
770-004S205W1.....	B-9	770-005A107.....	E-3	770-005S100W1.....	D-3
770-004S205W2.....	B-9	770-005A107W1.....	E-3	770-005S100W2.....	D-3
770-004S205R.....	B-9	770-005A106W2.....	E-3	770-005S100R.....	D-3
770-004S206.....	B-9	770-005A107R.....	E-3	770-005S101.....	D-3
770-004S206W1.....	B-9	770-005A108.....	E-3	770-005S101W1.....	D-3
770-004S206W2.....	B-9	770-005A108W1.....	E-3	770-005S101W2.....	D-3
770-004S206R.....	B-9	770-005A107W2.....	E-3	770-005S101R.....	D-3
770-004S207.....	B-9	770-005A108R.....	E-3	770-005S102.....	D-3
770-004S207W1.....	B-9	770-005A200.....	E-4	770-005S102W1.....	D-3
770-004S207W2.....	B-9	770-005A200W1.....	E-4	770-005S102W2.....	D-3
770-004S207R.....	B-9	770-005A200W2.....	E-4	770-005S102R.....	D-3
770-004S208.....	B-9	770-005A200R.....	E-4	770-005S103.....	D-3
770-004S208W1.....	B-9	770-005A202.....	E-4	770-005S103W1.....	D-3
770-004S208W2.....	B-9	770-005A202W1.....	E-4	770-005S103W2.....	D-3
770-004S208R.....	B-9	770-005A202W2.....	E-4	770-005S103R.....	D-3
770-004S209.....	B-9	770-005A202R.....	E-4	770-005S104.....	D-3
770-004S209W1.....	B-9	770-005A203.....	E-4	770-005S104W1.....	D-3
770-004S209W2.....	B-9	770-005A203W1.....	E-4	770-005S104W2.....	D-3
770-004S209R.....	B-9	770-005A203W2.....	E-4	770-005S104R.....	D-3
770-004S303.....	B-10	770-005A203R.....	E-4	770-005S105.....	D-3
770-004S303W2.....	B-10	770-005A204.....	E-4	770-005S105W1.....	D-3
770-004S304.....	B-10	770-005A204W1.....	E-4	770-005S105W2.....	D-3
770-004S304W2.....	B-10	770-005A204W2.....	E-4	770-005S105R.....	D-3
770-004S305.....	B-10	770-005A204R.....	E-4	770-005S106.....	D-3
770-004S305W2.....	B-10	770-005A205.....	E-4	770-005S106W1.....	D-3
770-004S306.....	B-10	770-005A205W1.....	E-4	770-005S106W2.....	D-3
770-004S306W2.....	B-10	770-005A205W2.....	E-4	770-005S106R.....	D-3
770-004S307.....	B-10	770-005A205R.....	E-4	770-005S107.....	D-3
770-004S307W2.....	B-10	770-005A206.....	E-4	770-005S107W1.....	D-3
770-004S308.....	B-10	770-005A206W1.....	E-4	770-005S107W2.....	D-3
770-004S308W2.....	B-10	770-005A206W2.....	E-4	770-005S107R.....	D-3
770-004S309.....	B-10	770-005A206R.....	E-4	770-005S108.....	D-3
770-004S309W2.....	B-10	770-005A207.....	E-4	770-005S108W1.....	D-3

## Series 77 Shrink Boots Part Number Index



770-005S108W2.....	D-3	770-005S301W2.....	D-5	770-006S111W2.....	B-13
770-005S108R.....	D-3	770-005S302.....	D-5	770-006S111R.....	B-13
770-005S109.....	D-3	770-005S302W2.....	D-5	770-006S202.....	B-14
770-005S109W1.....	D-3	770-005S303.....	D-5	770-006S202W1.....	B-14
770-005S109W2.....	D-3	770-005S303W2.....	D-5	770-006S202W2.....	B-14
770-005S109R.....	D-3	770-005S304.....	D-5	770-006S202R.....	B-14
770-005S110.....	D-3	770-005S304W2.....	D-5	770-006S203.....	B-14
770-005S110W1.....	D-3	770-005S305.....	D-5	770-006S203W1.....	B-14
770-005S110W2.....	D-3	770-005S305W2.....	D-5	770-006S203W2.....	B-14
770-005S110R.....	D-3	770-005S306.....	D-5	770-006S203R.....	B-14
770-005S200.....	D-4	770-005S306W2.....	D-5	770-006S204.....	B-14
770-005S200W1.....	D-4	770-005S307.....	D-5	770-006S204W1.....	B-14
770-005S200W2.....	D-4	770-005S307W2.....	D-5	770-006S204W2.....	B-14
770-005S200R.....	D-4	770-005S308.....	D-5	770-006S204R.....	B-14
770-005S201.....	D-4	770-005S308W2.....	D-5	770-006S205.....	B-14
770-005S201W1.....	D-4	770-005S309.....	D-5	770-006S205W1.....	B-14
770-005S201W2.....	D-4	770-005S309W2.....	D-5	770-006S205W2.....	B-14
770-005S201R.....	D-4	770-005S310.....	D-5	770-006S205R.....	B-14
770-005S202.....	D-4	770-005S310W2.....	D-5	770-006S206.....	B-14
770-005S202W1.....	D-4	770-006S102.....	B-13	770-006S206W1.....	B-14
770-005S202W2.....	D-4	770-006S102W1.....	B-13	770-006S206W2.....	B-14
770-005S202R.....	D-4	770-006S102W2.....	B-13	770-006S206R.....	B-14
770-005S203.....	D-4	770-006S102R.....	B-13	770-006S207.....	B-14
770-005S203W1.....	D-4	770-006S103.....	B-13	770-006S207W1.....	B-14
770-005S203W2.....	D-4	770-006S103W1.....	B-13	770-006S207W2.....	B-14
770-005S203R.....	D-4	770-006S103W2.....	B-13	770-006S207R.....	B-14
770-005S204.....	D-4	770-006S103R.....	B-13	770-006S208.....	B-14
770-005S204W1.....	D-4	770-006S104.....	B-13	770-006S208W1.....	B-14
770-005S204W2.....	D-4	770-006S104W1.....	B-13	770-006S208W2.....	B-14
770-005S204R.....	D-4	770-006S104W2.....	B-13	770-006S208R.....	B-14
770-005S205.....	D-4	770-006S104R.....	B-13	770-006S209.....	B-14
770-005S205W1.....	D-4	770-006S105.....	B-13	770-006S209W1.....	B-14
770-005S205W2.....	D-4	770-006S105W1.....	B-13	770-006S209W2.....	B-14
770-005S205R.....	D-4	770-006S105W2.....	B-13	770-006S209R.....	B-14
770-005S206.....	D-4	770-006S105R.....	B-13	770-006S210.....	B-14
770-005S206W1.....	D-4	770-006S106.....	B-13	770-006S210W1.....	B-14
770-005S206W2.....	D-4	770-006S106W1.....	B-13	770-006S210W2.....	B-14
770-005S206R.....	D-4	770-006S106W2.....	B-13	770-006S210R.....	B-14
770-005S207.....	D-4	770-006S106R.....	B-13	770-006S211.....	B-14
770-005S207W1.....	D-4	770-006S107.....	B-13	770-006S211W1.....	B-14
770-005S207W2.....	D-4	770-006S107W1.....	B-13	770-006S211W2.....	B-14
770-005S207R.....	D-4	770-006S107W2.....	B-13	770-006S211R.....	B-14
770-005S208.....	D-4	770-006S107R.....	B-13	770-006S302.....	B-15
770-005S208W1.....	D-4	770-006S108.....	B-13	770-006S302W2.....	B-15
770-005S208W2.....	D-4	770-006S108W1.....	B-13	770-006S303.....	B-15
770-005S208R.....	D-4	770-006S108W2.....	B-13	770-006S303W2.....	B-15
770-005S209.....	D-4	770-006S108R.....	B-13	770-006S304.....	B-15
770-005S209W1.....	D-4	770-006S109.....	B-13	770-006S304W2.....	B-15
770-005S209W2.....	D-4	770-006S109W1.....	B-13	770-006S305.....	B-15
770-005S209R.....	D-4	770-006S109W2.....	B-13	770-006S305W2.....	B-15
770-005S210.....	D-4	770-006S109R.....	B-13	770-006S306.....	B-15
770-005S210W1.....	D-4	770-006S110.....	B-13	770-006S306W2.....	B-15
770-005S210W2.....	D-4	770-006S110W1.....	B-13	770-006S307.....	B-15
770-005S210R.....	D-4	770-006S110W2.....	B-13	770-006S307W2.....	B-15
770-005S300.....	D-5	770-006S110R.....	B-13	770-006S308.....	B-15
770-005S300W2.....	D-5	770-006S111.....	B-13	770-006S308W2.....	B-15
770-005S301.....	D-5	770-006S111W1.....	B-13	770-006S309.....	B-15



## Series 77 Shrink Boots Part Number Index

770-006S309W2.....	B-15	770-009Y516.....	G-3	770-010Y108W1.....	G-5
770-006S310.....	B-15	770-009Y516W1.....	G-3	770-010Y108W2.....	G-5
770-006S310W2.....	B-15	770-009Y516R.....	G-3	770-010Y108R.....	G-5
770-006S311.....	B-15	770-009Y526.....	G-3	770-010Y205.....	G-5
770-006S311W2.....	B-15	770-009Y526W1.....	G-3	770-010Y205W1.....	G-5
770-007S103.....	B-16	770-009Y526R.....	G-3	770-010Y205W2.....	G-5
770-007S103W1.....	B-16	770-009Y536.....	G-3	770-010Y205R.....	G-5
770-007S103W2.....	B-16	770-009Y536W1.....	G-3	770-010Y206.....	G-5
770-007S103R.....	B-16	770-009Y536R.....	G-3	770-010Y206W1.....	G-5
770-007S104.....	B-16	770-009Y605.....	G-3	770-010Y206W2.....	G-5
770-007S104W1.....	B-16	770-009Y605W1.....	G-3	770-010Y206R.....	G-5
770-007S104W2.....	B-16	770-009Y606.....	G-3	770-010Y207.....	G-5
770-007S104R.....	B-16	770-009Y606W1.....	G-3	770-010Y207W1.....	G-5
770-007S106.....	B-16	770-009Y607.....	G-3	770-010Y207W2.....	G-5
770-007S106W1.....	B-16	770-009Y607W1.....	G-3	770-010Y207R.....	G-5
770-007S105W2.....	B-16	770-009Y608.....	G-3	770-010Y208.....	G-5
770-007S106R.....	B-16	770-009Y608W1.....	G-3	770-010Y208W1.....	G-5
770-007S107.....	B-16	770-009Y616.....	G-3	770-010Y208W2.....	G-5
770-007S107W1.....	B-16	770-009Y616W1.....	G-3	770-010Y208R.....	G-5
770-007S106W2.....	B-16	770-009Y626.....	G-3	770-010Y305.....	G-5
770-007S107R.....	B-16	770-009Y626W1.....	G-3	770-010Y305W2.....	G-5
770-007S203.....	B-19	770-009Y636.....	G-3	770-010Y306.....	G-5
770-007S203W1.....	B-19	770-009Y636W1.....	G-3	770-010Y306W2.....	G-5
770-007S203W2.....	B-19	770-009Y705.....	G-3	770-010Y307.....	G-5
770-007S203R.....	B-19	770-009Y705W1.....	G-3	770-010Y307W2.....	G-5
770-007S204.....	B-19	770-009Y705W2.....	G-3	770-010Y308.....	G-5
770-007S204W1.....	B-19	770-009Y706.....	G-3	770-010Y308W2.....	G-5
770-007S204W2.....	B-19	770-009Y706W1.....	G-3	770-011T101.....	G-9
770-007S204R.....	B-19	770-009Y706W2.....	G-3	770-011T101W1.....	G-9
770-007S206.....	B-19	770-009Y707.....	G-3	770-011T101W2.....	G-9
770-007S206W1.....	B-19	770-009Y707W1.....	G-3	770-011T101R.....	G-9
770-007S206W2.....	B-19	770-009Y707W2.....	G-3	770-011T102.....	G-9
770-007S206R.....	B-19	770-009Y708.....	G-3	770-011T102W1.....	G-9
770-007S207.....	B-19	770-009Y708W1.....	G-3	770-011T102W2.....	G-9
770-007S207W1.....	B-19	770-009Y708W2.....	G-3	770-011T102R.....	G-9
770-007S207W2.....	B-19	770-009Y716.....	G-3	770-011T103.....	G-9
770-007S207R.....	B-19	770-009Y716W1.....	G-3	770-011T103W1.....	G-9
770-007S303.....	B-19	770-009Y716W2.....	G-3	770-011T103W2.....	G-9
770-007S303W2.....	B-19	770-009Y726.....	G-3	770-011T103R.....	G-9
770-007S304.....	B-19	770-009Y726W1.....	G-3	770-011T104.....	G-9
770-007S304W2.....	B-19	770-009Y726W2.....	G-3	770-011T104W1.....	G-9
770-007S306.....	B-19	770-009Y736.....	G-3	770-011T104W2.....	G-9
770-007S306W2.....	B-19	770-009Y736W1.....	G-3	770-011T104R.....	G-9
770-007S307.....	B-19	770-009Y736W2.....	G-3	770-011T201.....	G-9
770-007S307W2.....	B-19	770-010Y105.....	G-5	770-011T201W1.....	G-9
770-009Y505.....	G-3	770-010Y105W1.....	G-5	770-011T201W2.....	G-9
770-009Y505W1.....	G-3	770-010Y105W2.....	G-5	770-011T201R.....	G-9
770-009Y505R.....	G-3	770-010Y105R.....	G-5	770-011T202.....	G-9
770-009Y506.....	G-3	770-010Y106.....	G-5	770-011T202W1.....	G-9
770-009Y506W1.....	G-3	770-010Y106W1.....	G-5	770-011T202W2.....	G-9
770-009Y506R.....	G-3	770-010Y106W2.....	G-5	770-011T202R.....	G-9
770-009Y507.....	G-3	770-010Y106R.....	G-5	770-011T203.....	G-9
770-009Y507W1.....	G-3	770-010Y107.....	G-5	770-011T203W1.....	G-9
770-009Y507R.....	G-3	770-010Y107W1.....	G-5	770-011T203W2.....	G-9
770-009Y508.....	G-3	770-010Y107W2.....	G-5	770-011T203R.....	G-9
770-009Y508W1.....	G-3	770-010Y107R.....	G-5	770-011T204.....	G-9
770-009Y508R.....	G-3	770-010Y108.....	G-5	770-011T204W1.....	G-9

## Series 77 Shrink Boots Part Number Index



770-011T204W2.....	G-9	770-013112R.....	G-13	770-014711W1.....	G-11
770-011T204R.....	G-9	770-013113.....	G-13	770-014711W2.....	G-11
770-011T301.....	G-9	770-013113W1.....	G-13	770-015114.....	G-15
770-011T301W2.....	G-9	770-013113W2.....	G-13	770-015114W1.....	G-15
770-011T302.....	G-9	770-013113R.....	G-13	770-015114W2.....	G-15
770-011T302W2.....	G-9	770-013209.....	G-13	770-015114R.....	G-15
770-011T303.....	G-9	770-013209W1.....	G-13	770-015115.....	G-15
770-011T303W2.....	G-9	770-013209W2.....	G-13	770-015115W1.....	G-15
770-011T304.....	G-9	770-013209R.....	G-13	770-015115W2.....	G-15
770-011T304W2.....	G-9	770-013210.....	G-13	770-015115R.....	G-15
770-012T501.....	G-7	770-013210W1.....	G-13	770-015116.....	G-15
770-012T501W1.....	G-7	770-013210W2.....	G-13	770-015116W1.....	G-15
770-012T501R.....	G-7	770-013210R.....	G-13	770-015116W2.....	G-15
770-012T502.....	G-7	770-013211.....	G-13	770-015116R.....	G-15
770-012T502W1.....	G-7	770-013211W1.....	G-13	770-015117.....	G-15
770-012T502R.....	G-7	770-013211W2.....	G-13	770-015117W1.....	G-15
770-012T503.....	G-7	770-013211R.....	G-13	770-015117W2.....	G-15
770-012T503W1.....	G-7	770-013212.....	G-13	770-015117R.....	G-15
770-012T503R.....	G-7	770-013212W1.....	G-13	770-015118.....	G-15
770-012T504.....	G-7	770-013212W2.....	G-13	770-015118W1.....	G-15
770-012T504W1.....	G-7	770-013212R.....	G-13	770-015118W2.....	G-15
770-012T504R.....	G-7	770-013213.....	G-13	770-015118R.....	G-15
770-012T601.....	G-7	770-013213W1.....	G-13	770-015119.....	G-15
770-012T601W1.....	G-7	770-013213W2.....	G-13	770-015119W1.....	G-15
770-012T602.....	G-7	770-013213R.....	G-13	770-015119W2.....	G-15
770-012T602W1.....	G-7	770-013309.....	G-13	770-015119R.....	G-15
770-012T603.....	G-7	770-013309W2.....	G-13	770-015214.....	G-15
770-012T603W1.....	G-7	770-013310.....	G-13	770-015214W1.....	G-15
770-012T604.....	G-7	770-013310W2.....	G-13	770-015214W2.....	G-15
770-012T604W1.....	G-7	770-013311.....	G-13	770-015214R.....	G-15
770-012T701.....	G-7	770-013311W2.....	G-13	770-015215.....	G-15
770-012T701W1.....	G-7	770-013312.....	G-13	770-015215W1.....	G-15
770-012T701W2.....	G-7	770-013312W2.....	G-13	770-015215W2.....	G-15
770-012T702.....	G-7	770-013313.....	G-13	770-015215R.....	G-15
770-012T702W1.....	G-7	770-013313W2.....	G-13	770-015216.....	G-15
770-012T702W2.....	G-7	770-014509.....	G-11	770-015216W1.....	G-15
770-012T703.....	G-7	770-014509W1.....	G-11	770-015216W2.....	G-15
770-012T703W1.....	G-7	770-014509R.....	G-11	770-015216R.....	G-15
770-012T703W2.....	G-7	770-014510.....	G-11	770-015217.....	G-15
770-012T704.....	G-7	770-014510W1.....	G-11	770-015217W1.....	G-15
770-012T704W1.....	G-7	770-014510R.....	G-11	770-015217W2.....	G-15
770-012T704W2.....	G-7	770-014511.....	G-11	770-015217R.....	G-15
770-013109.....	G-13	770-014511W1.....	G-11	770-015218.....	G-15
770-013109W1.....	G-13	770-014511R.....	G-11	770-015218W1.....	G-15
770-013109W2.....	G-13	770-014609.....	G-11	770-015218W2.....	G-15
770-013109R.....	G-13	770-014609W1.....	G-11	770-015218R.....	G-15
770-013110.....	G-13	770-014610.....	G-11	770-015219.....	G-15
770-013110W1.....	G-13	770-014610W2.....	G-11	770-015219W1.....	G-15
770-013110W2.....	G-13	770-014611.....	G-11	770-015219W2.....	G-15
770-013110R.....	G-13	770-014611W2.....	G-11	770-015219R.....	G-15
770-013111.....	G-13	770-014709.....	G-11	770-015314.....	G-15
770-013111W1.....	G-13	770-014709W1.....	G-11	770-015314W2.....	G-15
770-013111W2.....	G-13	770-014709W2.....	G-11	770-015315.....	G-15
770-013111R.....	G-13	770-014710.....	G-11	770-015315W2.....	G-15
770-013112.....	G-13	770-014710W1.....	G-11	770-015316.....	G-15
770-013112W1.....	G-13	770-014710W2.....	G-11	770-015316W2.....	G-15
770-013112W2.....	G-13	770-014711.....	G-11	770-015317.....	G-15



## Series 77 Shrink Boots Part Number Index

770-015317W2 .....	G-15
770-015318 .....	G-15
770-015318W2 .....	G-15
770-015319 .....	G-15
770-015319W2 .....	G-15
770-022C501 .....	F-3
770-022C501W1 .....	F-3
770-022C501R .....	F-3
770-022C502 .....	F-3
770-022C502W1 .....	F-3
770-022C502R .....	F-3
770-022C503 .....	F-3
770-022C503W1 .....	F-3
770-022C503R .....	F-3
770-022C504 .....	F-3
770-022C504W1 .....	F-3
770-022C504R .....	F-3
770-022C505 .....	F-3
770-022C505W1 .....	F-3
770-022C505R .....	F-3
770-022C506 .....	F-3
770-022C506W1 .....	F-3
770-022C506R .....	F-3
770-022C601 .....	F-3
770-022C601W1 .....	F-3
770-022C602 .....	F-3
770-022C602W1 .....	F-3
770-022C603 .....	F-3
770-022C603W1 .....	F-3
770-022C604 .....	F-3
770-022C604W1 .....	F-3
770-022C605 .....	F-3
770-022C605W1 .....	F-3
770-022C606 .....	F-3
770-022C606W1 .....	F-3
770-022C701 .....	F-3
770-022C701W1 .....	F-3
770-022C701W2 .....	F-3
770-022C702 .....	F-3
770-022C702W1 .....	F-3
770-022C702W2 .....	F-3
770-022C703 .....	F-3
770-022C703W1 .....	F-3
770-022C703W2 .....	F-3
770-022C704 .....	F-3
770-022C704W1 .....	F-3
770-022C704W2 .....	F-3
770-022C705 .....	F-3
770-022C705W1 .....	F-3
770-022C705W2 .....	F-3
770-022C706 .....	F-3
770-022C706W1 .....	F-3
770-022C706W2 .....	F-3
779-001 .....	I-1
779-002 .....	I-1
779-003 .....	I-1



# Series 77 Shrink Boots

## Tyco to Glenair Part Number Cross Reference



Tyco Part Number	Glenair Part Number
202A111-100/180-0	770-005S202W1
202A111-100-0	770-005S202
202A111-25/225-0	770-005S102R
202A111-25/225-0	770-005S102R
202A111-25/42-0	770-005S102W2
202A111-25/42-0	770-005S102W2
202A111-25/86-0	770-005S102W1
202A111-25/86-0	770-005S102W1
202A111-25-0	770-005S102
202A111-25-0	770-005S102
202A111-4/42-0	770-005S302W2
202A111-4/42-0	770-005S302W2
202A111-4/42-0	770-005S302W2
202A111-4-0	770-005S302
202A121-100/180-0	770-005S203W1
202A121-100-0	770-005S203
202A121-25/225-0	770-005S103R
202A121-25/225-0	770-005S103R
202A121-25/42-0	770-005S103W2
202A121-25/42-0	770-005S103W2
202A121-25/86-0	770-005S103W1
202A121-25/86-0	770-005S103W1
202A121-25-0	770-005S103
202A121-25-0	770-005S103
202A121-4/42-0	770-005S303W2
202A121-4/42-0	770-005S303W2
202A121-4/42-0	770-005S303W2
202A121-4-0	770-005S303
202A132-100/180-0	770-005S204W1
202A132-100-0	770-005S204
202A132-25/225-0	770-005S104R
202A132-25/225-0	770-005S104R
202A132-25/42-0	770-005S104W2
202A132-25/42-0	770-005S104W2
202A132-25/86-0	770-005S104W1
202A132-25/86-0	770-005S104W1
202A132-25-0	770-005S104
202A132-25-0	770-005S104
202A132-4/42-0	770-005S304W2
202A132-4/42-0	770-005S304W2
202A132-4/42-0	770-005S304W2
202A132-4/42-0	770-005S304W2
202A132-4-0	770-005S304
202A142-100/180-0	770-005S205W1
202A142-100-0	770-005S205
202A142-100-0	770-005S205
202A142-25/225-0	770-005S105R

Tyco Part Number	Glenair Part Number
202A142-25/225-0	770-005S105R
202A142-25/42-0	770-005S105W2
202A142-25/42-0	770-005S105W2
202A142-25/86-0	770-005S105W1
202A142-25/86-0	770-005S105W1
202A142-25-0	770-005S105
202A142-25-0	770-005S105
202A142-4/42-0	770-005S305W2
202A142-4/42-0	770-005S305W2
202A142-4-0	770-005S305
202A153-100/180-0	770-005S206W1
202A153-100-0	770-005S206
202A153-25/225-0	770-005S106R
202A153-25/225-0	770-005S106R
202A153-25/42-0	770-005S106W2
202A153-25/42-0	770-005S106W2
202A153-25/86-0	770-005S106W1
202A153-25/86-0	770-005S106W1
202A153-25-0	770-005S106
202A153-25-0	770-005S106
202A153-4/42-0	770-005S306W2
202A153-4/42-0	770-005S306W2
202A153-4/42-0	770-005S306W2
202A153-4-0	770-005S306
202A163-100/180-0	770-005S207W1
202A163-100-0	770-005S207
202A163-25/225-0	770-005S107R
202A163-25/225-0	770-005S107R
202A163-25/42-0	770-005S107W2
202A163-25/42-0	770-005S107W2
202A163-25/86-0	770-005S107W1
202A163-25/86-0	770-005S107W1
202A163-25-0	770-005S107
202A163-25-0	770-005S107
202A163-4/42-0	770-005S307W2
202A163-4/42-0	770-005S307W2
202A163-4/42-0	770-005S307W2
202A163-4-0	770-005S307
202A174-100/180-0	770-005S208W1
202A174-100-0	770-005S208
202A174-25/225-0	770-005S108R
202A174-25/225-0	770-005S108R
202A174-25/42-0	770-005S108W2
202A174-25/42-0	770-005S108W2
202A174-25/86-0	770-005S108W1
202A174-25/86-0	770-005S108W1
202A174-25-0	770-005S108



## Series 77 Shrink Boots

### Tyco to Glenair Part Number Cross Reference

Tyco Part Number	Glenair Part Number
202A174-25-0	770-005S108
202A174-4/42-0	770-005S308W2
202A174-4/42-0	770-005S308W2
202A174-4/42-0	770-005S308W2
202A174-4-0	770-005S308
202A185-100/180-0	770-005S209W2
202A185-100/86-0	770-005S209W1
202A185-100-0	770-005S209
202A185-12-0	770-005S409
202A185-25/225-0	770-005S109R
202A185-25/42-0	770-005S109W2
202A185-25/86-0	770-005S109W1
202A185-25-0	770-005S109
202A185-3/42-0	770-005S109W2
202A185-3/86-0	770-005S109W1
202A185-3-0	770-005S109
202A185-4/164-0	770-005S309W3
202A185-4/180-0	770-005S309W2
202A185-4/86-0	770-005S309W1
202A185-4-0	770-005S309
202A196-100/180-0	770-005S210W2
202A196-100/86-0	770-005S210W1
202A196-100-0	770-005S210
202A196-12-0	770-005S410
202A196-25/225-0	770-005S110R
202A196-25/42-0	770-005S110W2
202A196-25/86-0	770-005S110W1
202A196-25-0	770-005S110
202A196-3/42-0	770-005S110W2
202A196-3/86-0	770-005S110W1
202A196-3-0	770-005S110
202A196-4/164-0	770-005S310W3
202A196-4/180-0	770-005S310W2
202A196-4/86-0	770-005S310W1
202A196-4-0	770-005S310
202C611-50	770-022C501
202C611-51/164-0	770-022C601W3
202C611-51/86-0	770-022C601W1
202C611-51-0	770-022C601
202C611-71/180-0	770-022C701W2
202C611-71/42-0	770-022C701W2
202C611-71/86-0	770-022C701W1
202C611-71-0	770-022C701
202C621-50	770-022C502
202C621-51/164-0	770-022C602W3
202C621-51/86-0	770-022C602W1
202C621-51-0	770-022C602

Tyco Part Number	Glenair Part Number
202C621-71/180-0	770-022C702W2
202C621-71/42-0	770-022C702W2
202C621-71/86-0	770-022C702W1
202C621-71-0	770-022C702
202C632-50	770-022C503
202C632-51/164-0	770-022C603W3
202C632-51/86-0	770-022C603W1
202C632-51-0	770-022C603
202C632-71/180-0	770-022C703W2
202C632-71/42-0	770-022C703W2
202C632-71/86-0	770-022C703W1
202C632-71-0	770-022C703
202C642-50	770-022C504
202C642-51/164-0	770-022C604W3
202C642-51/86-0	770-022C604W1
202C642-51-0	770-022C604
202C642-71/180-0	770-022C704W2
202C642-71/42-0	770-022C704W2
202C642-71/86-0	770-022C704W1
202C642-71-0	770-022C704
202C653-50	770-022C505
202C653-51/164-0	770-022C605W3
202C653-51/86-0	770-022C605W1
202C653-51-0	770-022C605
202C653-71/180-0	770-022C705W2
202C653-71/42-0	770-022C705W2
202C653-71/86-0	770-022C705W1
202C653-71-0	770-022C705
202C663-50-0	770-022C506
202C663-51/164-0	770-022C606W3
202C663-51/86-0	770-022C606W1
202C663-51-0	770-022C606
202C663-71/180-0	770-022C706W2
202C663-71/42-0	770-022C706W2
202C663-71/86-0	770-022C706W1
202C663-71-0	770-022C706
202D111-100/180-0	770-003S202W1
202D111-100-0	770-003S202
202D111-25/225-0	770-003S102R
202D111-25/225-0	770-003S102R
202D111-25/42-0	770-003S102W2
202D111-25/42-0	770-003S102W2
202D111-25/86-0	770-003S102W1
202D111-25/86-0	770-003S102W1
202D111-25-0	770-003S102
202D111-25-0	770-003S102
202D111-4/42-0	770-003S302W2

## Series 77 Shrink Boots Tyco to Glenair Part Number Cross Reference



Tyco Part Number	Glenair Part Number
202D111-4/42-0	770-003S302W2
202D111-4/42-0	770-003S302W2
202D111-4-0	770-003S302
202D119-100/180-0	770-003S200W1
202D119-100-0	770-003S200
202D119-25/225-0	770-003S100R
202D119-25/225-0	770-003S100R
202D119-25/42-0	770-003S100W2
202D119-25/42-0	770-003S100W2
202D119-25/86-0	770-003S100W1
202D119-25/86-0	770-003S100W1
202D119-25-0	770-003S100
202D119-25-0	770-003S100
202D119-4/42-0	770-003S300W2
202D119-4/42-0	770-003S300W2
202D119-4/42-0	770-003S300W2
202D119-4-0	770-003S300
202D121-100/180-0	770-003S203W1
202D121-100-0	770-003S203
202D121-100-07-0	770-004S203
202D121-25/225-0	770-003S103R
202D121-25/225-0	770-003S103R
202D121-25/42-0	770-003S103W2
202D121-25/42-0	770-003S103W2
202D121-25/86-0	770-003S103W1
202D121-25/86-0	770-003S103W1
202D121-25-0	770-003S103
202D121-25-0	770-003S103
202D121-25-07-0	770-004S103
202D121-3-07-0	770-004S703
202D121-4/42-0	770-003S303W2
202D121-4/42-0	770-003S303W2
202D121-4/42-0	770-003S303W2
202D121-4-0	770-003S303
202D121-4-07-0	770-004S303
202D132-100/180-0	770-003S204W1
202D132-100-0	770-003S204
202D132-100-07-0	770-004S204
202D132-25/225-0	770-003S104R
202D132-25/225-0	770-003S104R
202D132-25/42-0	770-003S104W2
202D132-25/42-0	770-003S104W2
202D132-25/86-0	770-003S104W1
202D132-25/86-0	770-003S104W1
202D132-25-0	770-003S104
202D132-25-0	770-003S104
202D132-25-07-0	770-004S104

Tyco Part Number	Glenair Part Number
202D132-3-07-0	770-004S104
202D132-4/42-0	770-003S304W2
202D132-4/42-0	770-003S304W2
202D132-4/42-0	770-003S304W2
202D132-4-0	770-003S304
202D132-4-07-0	770-004S304
202D142-100/180-0	770-003S205W1
202D142-100-0	770-003S205
202D142-100-07-0	770-004S205
202D142-25/225-0	770-003S105R
202D142-25/225-0	770-003S105R
202D142-25/42-0	770-003S105W2
202D142-25/42-0	770-003S105W2
202D142-25/86-0	770-003S105W1
202D142-25/86-0	770-003S105W1
202D142-25-0	770-003S105
202D142-25-0	770-003S105
202D142-25-07-0	770-004S105
202D142-3-07-0	770-004S105
202D142-4/42-0	770-003S305W2
202D142-4/42-0	770-003S305W2
202D142-4/42-0	770-003S305W2
202D142-4-0	770-003S305
202D142-4-07-0	770-004S305
202D153-100/180-0	770-003S206W1
202D153-100-0	770-003S206
202D153-100-07-0	770-004S206
202D153-25/225-0	770-003S106R
202D153-25/225-0	770-003S106R
202D153-25/42-0	770-003S106W2
202D153-25/42-0	770-003S106W2
202D153-25/86-0	770-003S106W1
202D153-25/86-0	770-003S106W1
202D153-25-0	770-003S106
202D153-25-0	770-003S106
202D153-25-07-0	770-004S106
202D153-3-07-0	770-004S106
202D153-4/42-0	770-003S306W2
202D153-4/42-0	770-003S306W2
202D153-4/42-0	770-003S306W2
202D153-4-0	770-003S306
202D153-4-07-0	770-004S306
202D163-100/180-0	770-003S207W1
202D163-100-0	770-003S207
202D163-25/225-0	770-003S107R
202D163-25/225-0	770-003S107R
202D163-25/42-0	770-003S107W2



## Series 77 Shrink Boots

### Tyco to Glenair Part Number Cross Reference

Tyco Part Number	Glenair Part Number
202D163-25/42-0	770-003S107W2
202D163-25/86-0	770-003S107W1
202D163-25/86-0	770-003S107W1
202D163-25-0	770-003S107
202D163-25-0	770-003S107
202D163-4/42-0	770-003S307W2
202D163-4/42-0	770-003S307W2
202D163-4/42-0	770-003S307W2
202D163-4-0	770-003S307
202D174-100	770-003S208
202D174-100/180-0	770-003S208W1
202D174-100-07-0	770-004S208
202D174-25/225-0	770-003S108R
202D174-25/225-0	770-003S108R
202D174-25/42-0	770-003S108W2
202D174-25/42-0	770-003S108W2
202D174-25/86-0	770-003S108W1
202D174-25/86-0	770-003S108W1
202D174-25-0	770-003S108
202D174-25-0	770-003S108
202D174-25-07-0	770-004S108
202D174-3-07-0	770-004S108
202D174-4/42-0	770-003S308W2
202D174-4/42-0	770-003S308W2
202D174-4/42-0	770-003S308W2
202D174-4-0	770-003S308
202D174-4-07-0	770-004S308
202D185-100/180-0	770-003S209W2
202D185-100/86-0	770-003S209W1
202D185-100-0	770-003S209
202D185-12-0	770-003S409
202D185-25/42-0	770-003S109W2
202D185-25/86-0	770-003S109W1
202D185-25-0	770-003S109
202D185-3/180-0	770-003S109W2
202D185-3/42-0	770-003S109W2
202D185-3/86-0	770-003S109W1
202D185-3-0	770-003S109
202D185-4/180-0	770-003S309W2
202D185-4/42-0	770-003S309W2
202D185-4/86-0	770-003S309W1
202D185-4-0	770-003S309
202D196-100/180-0	770-003S210W2
202D196-100/86-0	770-003S210W1
202D196-100-0	770-003S210
202D196-12-0	770-003S410
202D196-25/42-0	770-003S110W2

Tyco Part Number	Glenair Part Number
202D196-25/86-0	770-003S110W1
202D196-25-0	770-003S110
202D196-3/180-0	770-003S110W2
202D196-3/42-0	770-003S110W2
202D196-3/86-0	770-003S110W1
202D196-3-0	770-003S110
202D196-4/180-0	770-003S310W2
202D196-4/42-0	770-003S310W2
202D196-4/86-0	770-003S310W1
202D196-4-0	770-003S310
202D211-100/180-0	770-006S202W1
202D211-100-0	770-006S202
202D211-100-22-0	770-006S202-6725
202D211-25/225-0	770-006S102R
202D211-25/225-0	770-006S102R
202D211-25/42-0	770-006S102W2
202D211-25/42-0	770-006S102W2
202D211-25/86-0	770-006S102W1
202D211-25/86-0	770-006S102W1
202D211-25-0	770-006S102
202D211-25-0	770-006S102
202D211-25-22-0	770-006S102-6725
202D211-3-22-0	770-006S702-6725
202D211-4/42-0	770-006S302W2
202D211-4/42-0	770-006S302W2
202D211-4/42-0	770-006S302W2
202D211-4-0	770-006S302
202D211-4-22-0	770-006S302-6725
202D221-100/180-0	770-006S203W1
202D221-100-0	770-006S203
202D221-25/225-0	770-006S103R
202D221-25/225-0	770-006S103R
202D221-25/42-0	770-006S103W2
202D221-25/42-0	770-006S103W2
202D221-25/86-0	770-006S103W1
202D221-25/86-0	770-006S103W1
202D221-25-0	770-006S103
202D221-25-0	770-006S103
202D221-4/42-0	770-006S303W2
202D221-4/42-0	770-006S303W2
202D221-4/42-0	770-006S303W2
202D221-4-0	770-006S303
202D232-100/180-0	770-006S204W1
202D232-100-0	770-006S204
202D232-100-22-0	770-006S204-6726
202D232-25/225-0	770-006S104R
202D232-25/225-0	770-006S104R

## Series 77 Shrink Boots Tyco to Glenair Part Number Cross Reference



Tyco Part Number	Glenair Part Number
202D232-25/42-0	770-006S104W2
202D232-25/42-0	770-006S104W2
202D232-25/86-0	770-006S104W1
202D232-25/86-0	770-006S104W1
202D232-25-0	770-006S104
202D232-25-0	770-006S104
202D232-25-22-0	770-006S104-6726
202D232-3-22-0	770-006S704-6726
202D232-4/42-0	770-006S304W2
202D232-4/42-0	770-006S304W2
202D232-4/42-0	770-006S304W2
202D232-4-0	770-006S304
202D232-4-22-0	770-006S304-6726
202D242-100/180-0	770-006S205W1
202D242-100-0	770-006S205
202D242-100-22-0	770-006S205-6727
202D242-25/225-0	770-006S105R
202D242-25/225-0	770-006S105R
202D242-25/42-0	770-006S105W2
202D242-25/42-0	770-006S105W2
202D242-25/86-0	770-006S105W1
202D242-25/86-0	770-006S105W1
202D242-25-0	770-006S105
202D242-25-0	770-006S105
202D242-25-22-0	770-006S105-6727
202D242-3-22-0	770-006S705-6727
202D242-4/42-0	770-006S305W2
202D242-4/42-0	770-006S305W2
202D242-4/42-0	770-006S305W2
202D242-4-0	770-006S305
202D242-4-22-0	770-006S305-6727
202D253-100/180-0	770-006S206W1
202D253-100-0	770-006S206
202D253-25/225-0	770-006S106R
202D253-25/225-0	770-006S106R
202D253-25/42-0	770-006S106W2
202D253-25/42-0	770-006S106W2
202D253-25/86-0	770-006S106W1
202D253-25/86-0	770-006S106W1
202D253-25-0	770-006S106
202D253-25-0	770-006S106
202D253-4/42-0	770-006S306W2
202D253-4/42-0	770-006S306W2
202D253-4/42-0	770-006S306W2
202D253-4-0	770-006S306
202D263-100/180-0	770-006S207W1
202D263-100-0	770-006S207

Tyco Part Number	Glenair Part Number
202D263-100-22-0	770-006S207-6728
202D263-25/225-0	770-006S107R
202D263-25/225-0	770-006S107R
202D263-25/42-0	770-006S107W2
202D263-25/42-0	770-006S107W2
202D263-25/86-0	770-006S107W1
202D263-25/86-0	770-006S107W1
202D263-25-0	770-006S107
202D263-25-0	770-006S107
202D263-25-22-0	770-006S107-6728
202D263-3-22-0	770-006S707-6728
202D263-4/42-0	770-006S307W2
202D263-4/42-0	770-006S307W2
202D263-4/42-0	770-006S307W2
202D263-4-0	770-006S307
202D263-4-22-0	770-006S307-6728
202D274-100/180-0	770-006S208W1
202D274-100-0	770-006S208
202D274-25/225-0	770-006S108R
202D274-25/225-0	770-006S108R
202D274-25/42-0	770-006S108W2
202D274-25/42-0	770-006S108W2
202D274-25/86-0	770-006S108W1
202D274-25/86-0	770-006S108W1
202D274-25-0	770-006S108
202D274-25-0	770-006S108
202D274-4/42-0	770-006S308W2
202D274-4/42-0	770-006S308W2
202D274-4/42-0	770-006S308W2
202D274-4-0	770-006S308
202D285-100/180-0	770-006S209W2
202D285-100/86-0	770-006S209W1
202D285-100-0	770-006S209
202D285-12-0	770-006S409
202D285-25/42-0	770-006S109W2
202D285-25/86-0	770-006S109W1
202D285-25-0	770-006S109
202D285-3/180-0	770-006S109W2
202D285-3/42-0	770-006S109W2
202D285-3/86-0	770-006S109W1
202D285-3-0	770-006S109
202D285-4/180-0	770-006S309W2
202D285-4/42-0	770-006S309W2
202D285-4/86-0	770-006S309W1
202D285-4-0	770-006S309
202D296-100/180-0	770-006S210W2
202D296-100/86-0	770-006S210W1



## Series 77 Shrink Boots

### Tyco to Glenair Part Number Cross Reference

Tyco Part Number	Glenair Part Number
202D296-100-0	770-006S210
202D296-100-22-0	770-006S219-6729
202D296-12-0	770-006S410
202D296-25/42-0	770-006S110W2
202D296-25/86-0	770-006S110W1
202D296-25-0	770-006S110
202D296-25-22-0	770-006S119-6729
202D296-3/180-0	770-006S110W2
202D296-3/42-0	770-006S110W2
202D296-3/86-0	770-006S110W1
202D296-3-0	770-006S110
202D296-3-22-0	770-006S719-6729
202D296-4/180-0	770-006S310W2
202D296-4/42-0	770-006S310W2
202D296-4/86-0	770-006S310W1
202D296-4-0	770-006S310
202D296-4-22-0	770-006S319-6729
202D299-100/180-0	770-006S211W2
202D299-100/86-0	770-006S211W1
202D299-100-0	770-006S211
202D299-12-0	770-006S411
202D299-25/42-0	770-006S111W2
202D299-25/86-0	770-006S111W1
202D299-25-0	770-006S111
202D299-3/180-0	770-006S111W2
202D299-3/42-0	770-006S111W2
202D299-3/86-0	770-006S111W1
202D299-3-0	770-006S111
202D299-4/180-0	770-006S311W2
202D299-4/42-0	770-006S311W2
202D299-4/86-0	770-006S311W1
202D299-4-0	770-006S311
202D921-100/180-0	770-007S203W1
202D921-100-0	770-007S203
202D921-25/225-0	770-007S103R
202D921-25/225-0	770-007S103R
202D921-25/42-0	770-007S103W2
202D921-25/42-0	770-007S103W2
202D921-25/86-0	770-007S103W1
202D921-25/86-0	770-007S103W1
202D921-25-0	770-007S103-0
202D921-3-0	770-007S103
202D921-4/42-0	770-007S303W2
202D921-4/42-0	770-007S303W2
202D921-4/42-0	770-007S303W2
202D921-4-0	770-007S303
202D932-100/180-0	770-007S204W1

Tyco Part Number	Glenair Part Number
202D932-100-0	770-007S204
202D932-25/225-0	770-007S104R
202D932-25/225-0	770-007S104R
202D932-25/42-0	770-007S104W2
202D932-25/42-0	770-007S104W2
202D932-25/86-0	770-007S104W1
202D932-25/86-0	770-007S104W1
202D932-25-0	770-007S104
202D932-25-0	770-007S104
202D932-4/42-0	770-007S304W2
202D932-4/42-0	770-007S304W2
202D932-4/42-0	770-007S304W2
202D932-4-0	770-007S304
202D953-100/180-0	770-007S206W1
202D953-100-0	770-007S206
202D953-25/225-0	770-007S106R
202D953-25/225-0	770-007S106R
202D953-25/42-0	770-007S106W2
202D953-25/42-0	770-007S106W2
202D953-25/86-0	770-007S106W1
202D953-25/86-0	770-007S106W1
202D953-25-0	770-007S106
202D953-25-0	770-007S106
202D953-4/42-0	770-007S306W2
202D953-4/42-0	770-007S306W2
202D953-4/42-0	770-007S306W2
202D953-4-0	770-007S306
202D963-100/180-0	770-007S207W1
202D963-100-0	770-007S207
202D963-25/225-0	770-007S107R
202D963-25/225-0	770-007S107R
202D963-25/42-0	770-007S107W2
202D963-25/42-0	770-007S107W2
202D963-25/86-0	770-007S107W1
202D963-25/86-0	770-007S107W1
202D963-25-0	770-007S107
202D963-25-0	770-007S107
202D963-4/42-0	770-007S307W2
202D963-4/42-0	770-007S307W2
202D963-4/42-0	770-007S307W2
202D963-4-0	770-007S307
202E334-50-0	770-019SB501
202E334-51/164-0	770-019SB601W3
202E334-51/180-0	770-019SB601W2
202E334-51/86-0	770-019SB601W1
202E334-51-0	770-019SB601
202E334-71/180-0	770-019SB701W2

## Series 77 Shrink Boots Tyco to Glenair Part Number Cross Reference



Tyco Part Number	Glenair Part Number
202E334-71/42-0	770-019SB701W2
202E334-71/86-0	770-019SB701W1
202E334-71-0	770-019SB701
202E336/71-42-0	770-019SB702W2
202E336-50-0	770-019SB502
202E336-51/164-0	770-019SB602W3
202E336-51/180-0	770-019SB602W2
202E336-51/86-0	770-019SB602W1
202E336-51-0	770-019SB602
202E336-71/180-0	770-019SB702W2
202E336-71/86-0	770-019SB702W1
202E336-71-0	770-019SB702
202E344-50-0	770-019SB503
202E344-51/164-0	770-019SB603W3
202E344-51/180-0	770-019SB603W2
202E344-51/86-0	770-019SB603W1
202E344-51-0	770-019SB603
202E344-71/180-0	770-019SB703W2
202E344-71/42-0	770-019SB703W2
202E344-71/86-0	770-019SB703W1
202E344-71-0	770-019SB703
202E346-50-0	770-019SB504
202E346-51/164-0	770-019SB604W3
202E346-51/180-0	770-019SB604W2
202E346-51/86-0	770-019SB604W1
202E346-51-0	770-019SB604
202E346-71/180-0	770-019SB704W2
202E346-71/42-0	770-019SB704W2
202E346-71/86-0	770-019SB704W1
202E346-71-0	770-019SB704
202F211-50	770-020S502
202F211-51	770-020S602
202F211-51/164-0	770-020S602W3
202F211-51/180	770-020S602W2
202F211-51/86-0	770-020S602W1
202F211-71	770-020S702
202F211-71/180	770-020S702W2
202F211-71/42-0	770-020S702W2
202F211-71/86-0	770-020S702W1
202F221-50	770-020S503
202F221-51	770-020S603
202F221-51/164-0	770-020S603W3
202F221-51/180	770-020S603W2
202F221-51/86-0	770-020S603W1
202F221-71	770-020S703
202F221-71/180	770-020S703W2
202F221-71/42-0	770-020S703W2

Tyco Part Number	Glenair Part Number
202F221-71/86-0	770-020S703W1
202F232-50	770-020S504
202F232-51	770-020S604
202F232-51/164-0	770-020S604W3
202F232-51/180	770-020S604W2
202F232-51/86-0	770-020S604W1
202F232-71	770-020S704
202F232-71/180	770-020S704W2
202F232-71/42-0	770-020S704W2
202F232-71/86-0	770-020S704W1
202F242-50	770-020S505
202F242-51	770-020S605
202F242-51/164-0	770-020S605W3
202F242-51/180	770-020S605W2
202F242-51/86-0	770-020S605W1
202F242-71	770-020S705
202F242-71/180	770-020S705W2
202F242-71/42-0	770-020S705W2
202F242-71/86-0	770-020S705W1
202F253-50	770-020S506
202F253-51	770-020S606
202F253-51/164-0	770-020S606W3
202F253-51/180	770-020S606W2
202F253-51/86-0	770-020S606W1
202F253-71	770-020S706
202F253-71/180	770-020S706W2
202F253-71/42-0	770-020S706W2
202F253-71/86-0	770-020S706W1
202F263-50	770-020S507
202F263-51	770-020S607
202F263-51/164-0	770-020S607W3
202F263-51/180	770-020S607W2
202F263-51/86-0	770-020S607W1
202F263-71	770-020S707
202F263-71/180	770-020S707W2
202F263-71/180	770-020S708W2
202F263-71/42-0	770-020S707W2
202F263-71/86-0	770-020S707W1
202F274-50	770-020S508
202F274-51	770-020S608
202F274-51/164-0	770-020S608W3
202F274-51/180	770-020S608W2
202F274-51/86-0	770-020S608W1
202F274-71	770-020S708
202F274-71/42-0	770-020S708W2
202F274-71/86-0	770-020S708W1
202K121-100/180-0	770-001S203W1



## Series 77 Shrink Boots

### Tyco to Glenair Part Number Cross Reference

Tyco Part Number	Glenair Part Number
202K121-100-0	770-001S203
202K121-100-01/180-0	770-002S203W1
202K121-100-01-0	770-002S203
202K121-25/225-0	770-001S103R
202K121-25/225-0	770-001S103R
202K121-25/42-0	770-001S103W2
202K121-25/42-0	770-001S103W2
202K121-25/86-0	770-001S103W1
202K121-25/86-0	770-001S103W1
202K121-25-0	770-001S103
202K121-25-0	770-001S103
202K121-25-01/225-0	770-002S103R
202K121-25-01/225-0	770-002S103R
202K121-25-01/42-0	770-002S103W2
202K121-25-01/42-0	770-002S103W2
202K121-25-01/86-0	770-002S103W1
202K121-25-01/86-0	770-002S103W1
202K121-25-01-0	770-002S103
202K121-25-01-0	770-002S103
202K121-4/42-0	770-001S303W2
202K121-4/42-0	770-001S303W2
202K121-4/42-0	770-001S303W2
202K121-4-0	770-001S303
202K121-4-01/42-0	770-002S303W2
202K121-4-01/42-0	770-002S303W2
202K121-4-01/42-0	770-002S303W2
202K121-4-01-0	770-002S303
202K132-100/180-0	770-001S204W1
202K132-100-0	770-001S204
202K132-100-01/180-0	770-002S204W1
202K132-100-01-0	770-002S204
202K132-25/225-0	770-001S104R
202K132-25/225-0	770-001S104R
202K132-25/42-0	770-001S104W2
202K132-25/42-0	770-001S104W2
202K132-25/86-0	770-001S104W1
202K132-25/86-0	770-001S104W1
202K132-25-0	770-001S104
202K132-25-0	770-001S104
202K132-25-01/225-0	770-002S104R
202K132-25-01/225-0	770-002S104R
202K132-25-01/42-0	770-002S104W2
202K132-25-01/42-0	770-002S104W2
202K132-25-01/86-0	770-002S104W1
202K132-25-01/86-0	770-002S104W1
202K132-25-01-0	770-002S104
202K132-25-01-0	770-002S104

Tyco Part Number	Glenair Part Number
202K132-4/42-0	770-001S304W2
202K132-4/42-0	770-001S304W2
202K132-4/42-0	770-001S304W2
202K132-4-0	770-001S304
202K132-4-01/42-0	770-002S304W2
202K132-4-01/42-0	770-002S304W2
202K132-4-01-0	770-002S304
202K142-100/180-0	770-001S205W1
202K142-100-0	770-001S205
202K142-100-01/180-0	770-002S205W1
202K142-100-01-0	770-002S205
202K142-25/225-0	770-001S105R
202K142-25/225-0	770-001S105R
202K142-25/42-0	770-001S105W2
202K142-25/42-0	770-001S105W2
202K142-25/86-0	770-001S105W1
202K142-25/86-0	770-001S105W1
202K142-25-0	770-001S105
202K142-25-0	770-001S105
202K142-25-01/225-0	770-002S105R
202K142-25-01/225-0	770-002S105R
202K142-25-01/42-0	770-002S105W2
202K142-25-01/42-0	770-002S105W2
202K142-25-01/86-0	770-002S105W1
202K142-25-01/86-0	770-002S105W1
202K142-25-01-0	770-002S105
202K142-25-01-0	770-002S105
202K142-4/42-0	770-001S305W2
202K142-4/42-0	770-001S305W2
202K142-4-0	770-001S305
202K142-4-01/42-0	770-002S305W2
202K142-4-01/42-0	770-002S305W2
202K142-4-01/42-0	770-002S305W2
202K142-4-01-0	770-002S305
202K152-4-01/42-0	770-002S306W2
202K152-4-01/42-0	770-002S306W2
202K152-4-01/42-0	770-002S306W2
202K153-100/180-0	770-001S206W1
202K153-100-0	770-001S206
202K153-100-01/180-0	770-002S206W1
202K153-100-01-0	770-002S206
202K153-25/225-0	770-001S106R
202K153-25/225-0	770-001S106R
202K153-25/42-0	770-001S106W2
202K153-25/42-0	770-001S106W2



## Series 77 Shrink Boots Tyco to Glenair Part Number Cross Reference



Tyco Part Number	Glenair Part Number
202K153-25/86-0	770-001S106W1
202K153-25/86-0	770-001S106W1
202K153-25-0	770-001S106
202K153-25-0	770-001S106
202K153-25-01/225-0	770-002S106R
202K153-25-01/225-0	770-002S106R
202K153-25-01/42-0	770-002S106W2
202K153-25-01/42-0	770-002S106W2
202K153-25-01/86-0	770-002S106W1
202K153-25-01/86-0	770-002S106W1
202K153-25-01-0	770-002S106
202K153-25-01-0	770-002S106
202K153-4/42-0	770-001S306W2
202K153-4/42-0	770-001S306W2
202K153-4/42-0	770-001S306W2
202K153-4-0	770-001S306
202K153-4-01-0	770-002S306
202K163-100/180-0	770-001S207W1
202K163-100-0	770-001S207
202K163-100-01/180-0	770-002S207W1
202K163-100-01-0	770-002S207
202K163-25/225-0	770-001S107R
202K163-25/225-0	770-001S107R
202K163-25/42-0	770-001S107W2
202K163-25/42-0	770-001S107W2
202K163-25/86-0	770-001S107W1
202K163-25/86-0	770-001S107W1
202K163-25-0	770-001S107
202K163-25-0	770-001S107
202K163-25-01/225-0	770-002S107R
202K163-25-01/225-0	770-002S107R
202K163-25-01/42-0	770-002S107W2
202K163-25-01/42-0	770-002S107W2
202K163-25-01/86-0	770-002S107W1
202K163-25-01/86-0	770-002S107W1
202K163-25-01-0	770-002S107
202K163-25-01-0	770-002S107
202K163-4/42-0	770-001S307W2
202K163-4/42-0	770-001S307W2
202K163-4/42-0	770-001S307W2
202K163-4-0	770-001S307
202K163-4-01/42-0	770-002S307W2
202K163-4-01/42-0	770-002S307W2
202K163-4-01/42-0	770-002S307W2
202K163-4-01-0	770-002S307
202K174-100/180-0	770-001S208W1
202K174-100-0	770-001S208

Tyco Part Number	Glenair Part Number
202K174-100-01/180-0	770-002S208W1
202K174-100-01-0	770-002S208
202K174-25/225-0	770-001S108R
202K174-25/225-0	770-001S108R
202K174-25/42-0	770-001S108W2
202K174-25/42-0	770-001S108W2
202K174-25/86-0	770-001S108W1
202K174-25/86-0	770-001S108W1
202K174-25-0	770-001S108
202K174-25-0	770-001S108
202K174-25-01/225-0	770-002S108R
202K174-25-01/225-0	770-002S108R
202K174-25-01/42-0	770-002S108W2
202K174-25-01/42-0	770-002S108W2
202K174-25-01/86-0	770-002S108W1
202K174-25-01/86-0	770-002S108W1
202K174-25-01-0	770-002S108
202K174-25-01-0	770-002S108
202K174-4/42-0	770-001S308W2
202K174-4/42-0	770-001S308W2
202K174-4/42-0	770-001S308W2
202K174-4-0	770-001S308
202K174-4-01/42-0	770-002S308W2
202K174-4-01/42-0	770-002S308W2
202K174-4-01/42-0	770-002S308W2
202K174-4-01-0	770-002S308
202K185-25/225-0	770-001S109R
202K185-25/42-0	770-001S109W2
202K185-25/86-0	770-001S109W1
202K185-25-0	770-001S109
202K185-3/225-0	770-001S109R
202K185-3/42-0	770-001S109W2
202K185-3/86-0	770-001S109W1
202K185-3-0	770-001S109
202K185-4/180-0	770-001S309W2
202K185-4/42-0	770-001S309W2
202K185-4/86-0	770-001S309W1
202K185-4-0	770-001S309
222A111-100/180-0	770-005A202W1
222A111-100-0	770-005A202
222A111-25/225-0	770-005A102R
222A111-25/225-0	770-005A102R
222A111-25/42-0	770-005A102W2
222A111-25/42-0	770-005A102W2
222A111-25/86-0	770-005A102W1
222A111-25/86-0	770-005A102W1
222A111-25-0	770-005A102



## Series 77 Shrink Boots

### Tyco to Glenair Part Number Cross Reference

Tyco Part Number	Glenair Part Number
222A111-25-0	770-005A102
222A111-4/42-0	770-005A302W2
222A111-4/42-0	770-005A302W2
222A111-4/42-0	770-005A302W2
222A111-4-0	770-005A302
222A121-100/180-0	770-005A203W1
222A121-100-0	770-005A203
222A121-25/225-0	770-005A103R
222A121-25/225-0	770-005A103R
222A121-25/42-0	770-005A103W2
222A121-25/42-0	770-005A103W2
222A121-25/86-0	770-005A103W1
222A121-25/86-0	770-005A103W1
222A121-25-0	770-005A103
222A121-25-0	770-005A103
222A121-4/42-0	770-005A303W2
222A121-4/42-0	770-005A303W2
222A121-4/42-0	770-005A303W2
222A121-4-0	770-005A303
222A132-100/180-0	770-005A204W1
222A132-100-0	770-005A204
222A132-25/225-0	770-005A104R
222A132-25/225-0	770-005A104R
222A132-25/42-0	770-005A104W2
222A132-25/42-0	770-005A104W2
222A132-25/86-0	770-005A104W1
222A132-25/86-0	770-005A104W1
222A132-25-0	770-005A104
222A132-25-0	770-005A104
222A132-4/42-0	770-005A304W2
222A132-4/42-0	770-005A304W2
222A132-4-0	770-005A304
222A142-100/180-0	770-005A205W1
222A142-100-0	770-005A205
222A142-25/225-0	770-005A105R
222A142-25/225-0	770-005A105R
222A142-25/42-0	770-005A105W2
222A142-25/42-0	770-005A105W2
222A142-25/86-0	770-005A105W1
222A142-25/86-0	770-005A105W1
222A142-25-0	770-005A105
222A142-25-0	770-005A105
222A142-4/42-0	770-005A305W2
222A142-4/42-0	770-005A305W2
222A142-4/42-0	770-005A305W2
222A142-4-0	770-005A305
222A152-100/180-0	770-005A206W1

Tyco Part Number	Glenair Part Number
222A152-100-0	770-005A206
222A152-25/225-0	770-005A106R
222A152-25/225-0	770-005A106R
222A152-25/42-0	770-005A106W2
222A152-25/42-0	770-005A106W2
222A152-25/86-0	770-005A106W1
222A152-25/86-0	770-005A106W1
222A152-25-0	770-005A106
222A152-25-0	770-005A106
222A152-4/42-0	770-005A306W2
222A152-4/42-0	770-005A306W2
222A152-4/42-0	770-005A306W2
222A152-4-0	770-005A306
222A163-100/180-0	770-005A207W1
222A163-100-0	770-005A207
222A163-25/225-0	770-005A107R
222A163-25/225-0	770-005A107R
222A163-25/42-0	770-005A107W2
222A163-25/42-0	770-005A107W2
222A163-25/86-0	770-005A107W1
222A163-25/86-0	770-005A107W1
222A163-25-0	770-005A107
222A163-25-0	770-005A107
222A163-4/42-0	770-005A307W2
222A163-4/42-0	770-005A307W2
222A163-4/42-0	770-005A307W2
222A163-4-0	770-005A307
222A174-100/180-0	770-005A208W1
222A174-100-0	770-005A208
222A174-25/225-0	770-005A108R
222A174-25/225-0	770-005A108R
222A174-25/42-0	770-005A108W2
222A174-25/42-0	770-005A108W2
222A174-25/86-0	770-005A108W1
222A174-25/86-0	770-005A108W1
222A174-25-0	770-005A108
222A174-25-0	770-005A108
222A174-4/42-0	770-005A308W2
222A174-4/42-0	770-005A308W2
222A174-4/42-0	770-005A308W2
222A174-4-0	770-005A308
222D121-100/180-0	770-003A203W1
222D121-100-0	770-003A203
222D121-25/225-0	770-003A103R
222D121-25/225-0	770-003A103R
222D121-25/42-0	770-003A103W2
222D121-25/42-0	770-003A103W2

## Series 77 Shrink Boots Tyco to Glenair Part Number Cross Reference



Tyco Part Number	Glenair Part Number
222D121-25/86-0	770-003A103W1
222D121-25/86-0	770-003A103W1
222D121-25-0	770-003A103
222D121-25-0	770-003A103
222D121-4/42-0	770-003A303W2
222D121-4/42-0	770-003A303W2
222D121-4/42-0	770-003A303W2
222D121-4-0	770-003A303
222D132-100/180-0	770-003A204W1
222D132-100-0	770-003A204
222D132-25/225-0	770-003A104R
222D132-25/225-0	770-003A104R
222D132-25/42-0	770-003A104W2
222D132-25/42-0	770-003A104W2
222D132-25/86-0	770-003A104W1
222D132-25/86-0	770-003A104W1
222D132-25-0	770-003A104
222D132-25-0	770-003A104
222D132-4/42-0	770-003A304W2
222D132-4/42-0	770-003A304W2
222D132-4/42-0	770-003A304W2
222D132-4-0	770-003A304
222D142-100/180-0	770-003A205W1
222D142-100-0	770-003A205
222D142-25-/225-0	770-003A105R
222D142-25-/225-0	770-003A105R
222D142-25/42-0	770-003A105W2
222D142-25/42-0	770-003A105W2
222D142-25/86-0	770-003A105W1
222D142-25/86-0	770-003A105W1
222D142-25-0	770-003A105
222D142-25-0	770-003A105
222D142-4/42-0	770-003A305W2
222D142-4/42-0	770-003A305W2
222D142-4/42-0	770-003A305W2
222D142-4-0	770-003A305
222D152-100/180-0	770-003A206W1
222D152-100-0	770-003A206
222D152-25/225-0	770-003A106R
222D152-25/225-0	770-003A106R
222D152-25/42-0	770-003A106W2
222D152-25/42-0	770-003A106W2
222D152-25/86-0	770-003A106W1
222D152-25/86-0	770-003A106W1
222D152-25-0	770-003A106
222D152-25-0	770-003A106
222D152-4/42-0	770-003A306W2

Tyco Part Number	Glenair Part Number
222D152-4/42-0	770-003A306W2
222D152-4/42-0	770-003A306W2
222D152-4-0	770-003A306
222D163-100/180-0	770-003A207W1
222D163-100-0	770-003A207
222D163-25/225-0	770-003A107R
222D163-25/225-0	770-003A107R
222D163-25/42-0	770-003A107W2
222D163-25/42-0	770-003A107W2
222D163-25/86-0	770-003A107W1
222D163-25/86-0	770-003A107W1
222D163-25-0	770-003A107
222D163-25-0	770-003A107
222D163-4/42-0	770-003A307W2
222D163-4/42-0	770-003A307W2
222D163-4/42-0	770-003A307W2
222D163-4-0	770-003A307
222D174-100/180-0	770-003A208W1
222D174-100-0	770-003A208
222D174-25/225-0	770-003A108R
222D174-25/225-0	770-003A108R
222D174-25/42-0	770-003A108W2
222D174-25/42-0	770-003A108W2
222D174-25/86-0	770-003A108W1
222D174-25/86-0	770-003A108W1
222D174-25-0	770-003A108
222D174-25-0	770-003A108
222D174-4/42-0	770-003A308W2
222D174-4/42-0	770-003A308W2
222D174-4/42-0	770-003A308W2
222D174-4-0	770-003A308
222D211-100/180-0	770-006A202W1
222D211-100-0	770-006A202
222D211-25/225-0	770-006A102R
222D211-25/225-0	770-006A102R
222D211-25/42-0	770-006A102W2
222D211-25/42-0	770-006A102W2
222D211-25/86-0	770-006A102W1
222D211-25/86-0	770-006A102W1
222D211-25-0	770-006A102
222D211-25-0	770-006A102
222D211-4/42-0	770-006A302W2
222D211-4/42-0	770-006A302W2
222D211-4/42-0	770-006A302W2
222D211-4-0	770-006A302
222D221-100/180-0	770-006A203W1
222D221-100-0	770-006A203



## Series 77 Shrink Boots

### Tyco to Glenair Part Number Cross Reference

Tyco Part Number	Glenair Part Number
222D221-25/225-0	770-006A103R
222D221-25/225-0	770-006A103R
222D221-25/42-0	770-006A103W2
222D221-25/42-0	770-006A103W2
222D221-25/86-0	770-006A103W1
222D221-25/86-0	770-006A103W1
222D221-25-0	770-006A103
222D221-25-0	770-006A103
222D221-4/42-0	770-006A303W2
222D221-4/42-0	770-006A303W2
222D221-4/42-0	770-006A303W2
222D221-4-0	770-006A303
222D232-100/180-0	770-006A204W1
222D232-100-0	770-006A204
222D232-25/225-0	770-006A104R
222D232-25/225-0	770-006A104R
222D232-25/42-0	770-006A104W2
222D232-25/42-0	770-006A104W2
222D232-25/86-0	770-006A104W1
222D232-25/86-0	770-006A104W1
222D232-25-0	770-006A104
222D232-25-0	770-006A104
222D232-4/42-0	770-006A304W2
222D232-4/42-0	770-006A304W2
222D232-4/42-0	770-006A304W2
222D232-4-0	770-006A304
222D242-100/180-0	770-006A205W1
222D242-100-0	770-006A205
222D242-25/225-0	770-006A105R
222D242-25/225-0	770-006A105R
222D242-25/42-0	770-006A105W2
222D242-25/42-0	770-006A105W2
222D242-25/86-0	770-006A105W1
222D242-25/86-0	770-006A105W1
222D242-25-0	770-006A105
222D242-25-0	770-006A105
222D242-4/42-0	770-006A305W2
222D242-4/42-0	770-006A305W2
222D242-4/42-0	770-006A305W2
222D242-4-0	770-006A305
222D253-100/180-0	770-006A206W1
222D253-100-0	770-006A206
222D253-25/225-0	770-006A106R
222D253-25/225-0	770-006A106R
222D253-25/42-0	770-006A106W2
222D253-25/42-0	770-006A106W2
222D253-25/86-0	770-006A106W1

Tyco Part Number	Glenair Part Number
222D253-25/86-0	770-006A106W1
222D253-25-0	770-006A106
222D253-25-0	770-006A106
222D253-4/42-0	770-006A306W2
222D253-4/42-0	770-006A306W2
222D253-4/42-0	770-006A306W2
222D253-4-0	770-006A306
222D263-100/180-0	770-006A207W1
222D263-100-0	770-006A207
222D263-25/225-0	770-006A107R
222D263-25/225-0	770-006A107R
222D263-25/42-0	770-006A107W2
222D263-25/42-0	770-006A107W2
222D263-25/86-0	770-006A107W1
222D263-25/86-0	770-006A107W1
222D263-25-0	770-006A107
222D263-25-0	770-006A107
222D263-4/42-0	770-006A307W2
222D263-4/42-0	770-006A307W2
222D263-4/42-0	770-006A307W2
222D263-4-0	770-006A307
222D274-100/180-0	770-006A208W1
222D274-100-0	770-006A208
222D274-25/225-0	770-006A108R
222D274-25/225-0	770-006A108R
222D274-25/42-0	770-006A108W2
222D274-25/42-0	770-006A108W2
222D274-25/86-0	770-006A108W1
222D274-25/86-0	770-006A108W1
222D274-25-0	770-006A108
222D274-25-0	770-006A108
222D274-4/42-0	770-006A308W2
222D274-4/42-0	770-006A308W2
222D274-4/42-0	770-006A308W2
222D274-4-0	770-006A308
222D921-100/180-0	770-007A203W1
222D921-100-0	770-007A203
222D921-25/225-0	770-007A103R
222D921-25/225-0	770-007A103R
222D921-25/42-0	770-007A103W2
222D921-25/42-0	770-007A103W2
222D921-25/86-0	770-007A103W1
222D921-25/86-0	770-007A103W1
222D921-25-0	770-007A103
222D921-25-0	770-007A103
222D921-4/42-0	770-007A303W2
222D921-4/42-0	770-007A303W2

## Series 77 Shrink Boots Tyco to Glenair Part Number Cross Reference



Tyco Part Number	Glenair Part Number
222D921-4/42-0	770-007A303W2
222D921-4-0	770-007A303
222D932-100/180-0	770-007A204W1
222D932-100-0	770-007A204
222D932-25/225-0	770-007A104R
222D932-25/225-0	770-007A104R
222D932-25/42-0	770-007A104W2
222D932-25/42-0	770-007A104W2
222D932-25/86-0	770-007A104W1
222D932-25/86-0	770-007A104W1
222D932-25-0	770-007A104
222D932-25-0	770-007A104
222D932-4/42-0	770-007A304W2
222D932-4/42-0	770-007A304W2
222D932-4/42-0	770-007A304W2
222D932-4-0	770-007A304
222D953-100/180-0	770-007A206W1
222D953-100-0	770-007A206
222D953-25/225-0	770-007A106R
222D953-25/225-0	770-007A106R
222D953-25/42-0	770-007A106W2
222D953-25/42-0	770-007A106W2
222D953-25/86-0	770-007A106W1
222D953-25/86-0	770-007A106W1
222D953-25-0	770-007A106
222D953-25-0	770-007A106
222D953-4/42-0	770-007A306W2
222D953-4/42-0	770-007A306W2
222D953-4/42-0	770-007A306W2
222D953-4-0	770-007A306
222D963-100/180-0	770-007A207W1
222D963-100-0	770-007A207
222D963-25/225-0	770-007A107R
222D963-25/225-0	770-007A107R
222D963-25/42-0	770-007A107W2
222D963-25/42-0	770-007A107W2
222D963-25/86-0	770-007A107W1
222D963-25/86-0	770-007A107W1
222D963-25-0	770-007A107
222D963-25-0	770-007A107
222D963-4/42-0	770-007A307W2
222D963-4/42-0	770-007A307W2
222D963-4/42-0	770-007A307W2
222D963-4-0	770-007A307
222F211-50-0	770-021A502
222F211-51/164-0	770-021A602W3
222F211-51-0	770-021A602

Tyco Part Number	Glenair Part Number
222F211-71/180-0	770-021A702W2
222F211-71/42-0	770-021A702W2
222F211-71/86-0	770-021A702W1
222F211-71-0	770-021A702
222F221-50-0	770-021A503
222F221-51/164-0	770-021A603W3
222F221-51-0	770-021A603
222F221-71/180-0	770-021A703W2
222F221-71/42-0	770-021A703W2
222F221-71/86-0	770-021A703W1
222F221-71-0	770-021A703
222F232-50-0	770-021A504
222F232-51/164-0	770-021A604W3
222F232-51-0	770-021A604
222F232-71/180-0	770-021A704W2
222F232-71/42-0	770-021A704W2
222F232-71/86-0	770-021A704W1
222F232-71-0	770-021A704
222F242-50-0	770-021A505
222F242-51/164-0	770-021A605W3
222F242-51-0	770-021A605
222F242-71/180-0	770-021A705W2
222F242-71/42-0	770-021A705W2
222F242-71/86-0	770-021A705W1
222F242-71-0	770-021A705
222F253-50-0	770-021A506
222F253-51/164-0	770-021A606W3
222F253-51-0	770-021A606
222F253-71/180-0	770-021A706W2
222F253-71/42-0	770-021A706W2
222F253-71/86-0	770-021A706W1
222F253-71-0	770-021A706
222F263-50-0	770-021A507
222F263-51/164-0	770-021A607W3
222F263-51-0	770-021A607
222F263-71/180-0	770-021A707W2
222F263-71/42-0	770-021A707W2
222F263-71/86-0	770-021A707W1
222F263-71-0	770-021A707
222F274-50-0	770-021A508
222F274-51/164-0	770-021A608W3
222F274-51-0	770-021A608
222F274-71/180-0	770-021A708W2
222F274-71/42-0	770-021A708W2
222F274-71/86-0	770-021A708W1
222F274-71-0	770-021A708
222F285-50-0	770-021A509



## Series 77 Shrink Boots

### Tyco to Glenair Part Number Cross Reference

Tyco Part Number	Glenair Part Number
222F285-51/164-0	770-021A609W3
222F285-51-0	770-021A609
222F285-71/180-0	770-021A709W2
222F285-71/42-0	770-021A709W2
222F285-71/86-0	770-021A709W1
222F285-71-0	770-021A709
222K121-100/180-0	770-001A203W1
222K121-100-0	770-001A203
222K121-25/225-0	770-001A103R
222K121-25/225-0	770-001A103R
222K121-25/42-0	770-001A103W2
222K121-25/42-0	770-001A103W2
222K121-25/86-0	770-001A103W1
222K121-25/86-0	770-001A103W1
222K121-25-0	770-001A103
222K121-25-0	770-001A103
222K121-4/42-0	770-001A303W2
222K121-4/42-0	770-001A303W2
222K121-4/42-0	770-001A303W2
222K121-4-0	770-001A303
222K132-100/180-0	770-001A204W1
222K132-100-0	770-001A204
222K132-25/225-0	770-001A104R
222K132-25/225-0	770-001A104R
222K132-25/42-0	770-001A104W2
222K132-25/42-0	770-001A104W2
222K132-25/86-0	770-001A104W1
222K132-25/86-0	770-001A104W1
222K132-25-0	770-001A104
222K132-25-0	770-001A104
222K132-4/42-0	770-001A304W2
222K132-4/42-0	770-001A304W2
222K132-4/42-0	770-001A304W2
222K132-4-0	770-001A304
222K142-100/180-0	770-001A205W1
222K142-100-0	770-001A205
222K142-25/225-0	770-001A105R
222K142-25/225-0	770-001A105R
222K142-25/42-0	770-001A105W2
222K142-25/42-0	770-001A105W2
222K142-25/86-0	770-001A105W1
222K142-25/86-0	770-001A105W1
222K142-25-0	770-001A105
222K142-25-0	770-001A105
222K142-4/42-0	770-001A305W2
222K142-4/42-0	770-001A305W2
222K142-4/42-0	770-001A305W2

Tyco Part Number	Glenair Part Number
222K142-4-0	770-001A305
222K152-100/180-0	770-001A206W1
222K152-100-0	770-001A206
222K152-25/225-0	770-001A106R
222K152-25/225-0	770-001A106R
222K152-25/42-0	770-001A106W2
222K152-25/42-0	770-001A106W2
222K152-25/86-0	770-001A106W1
222K152-25/86-0	770-001A106W1
222K152-25-0	770-001A106
222K152-25-0	770-001A106
222K152-4/42-0	770-001A306W2
222K152-4/42-0	770-001A306W2
222K152-4/42-0	770-001A306W2
222K152-4-0	770-001A306
222K163-100/180-0	770-001A207W1
222K163-100-0	770-001A207
222K163-25/225-0	770-001A107R
222K163-25/225-0	770-001A107R
222K163-25/42-0	770-001A107W2
222K163-25/42-0	770-001A107W2
222K163-25/86-0	770-001A107W1
222K163-25/86-0	770-001A107W1
222K163-25-0	770-001A107
222K163-25-0	770-001A107
222K163-4/42-0	770-001A307W2
222K163-4/42-0	770-001A307W2
222K163-4/42-0	770-001A307W2
222K163-4-0	770-001A307
222K174-100/180-0	770-001A208W1
222K174-100-0	770-001A208
222K174-25/225-0	770-001A108R
222K174-25/225-0	770-001A108R
222K174-25/42-0	770-001A108W2
222K174-25/42-0	770-001A108W2
222K174-25/86-0	770-001A108W1
222K174-25/86-0	770-001A108W1
222K174-25-0	770-001A108
222K174-25-0	770-001A108
222K174-4/42-0	770-001A308W2
222K174-4/42-0	770-001A308W2
222K174-4/42-0	770-001A308W2
222K174-4-0	770-001A308
222K185-25/225-0	770-001A109R
222K185-25/42-0	770-001A109W2
222K185-25/86-0	770-001A109W1
222K185-25-0	770-001A109

## Series 77 Shrink Boots Tyco to Glenair Part Number Cross Reference



Tyco Part Number	Glenair Part Number
222K185-3/180-0	770-001A109W2
222K185-3/42-0	770-001A109W2
222K185-3/86-0	770-001A109W1
222K185-3-0	770-001A109
222K185-4/180-0	770-001A309W2
222K185-4/42-0	770-001A309W2
222K185-4/86-0	770-001A309W1
222K185-4-0	770-001A309
301A011-100/180-0	770-011T201W2
301A011-100/86-0	770-011T201W1
301A011-100-0	770-011T201
301A011-12-0	770-011T401
301A011-25/225-0	770-011T101R
301A011-25/86-0	770-011T101W1
301A011-25-0	770-011T101
301A011-3/180-0	770-011T101W2
301A011-3/42-0	770-011T101W2
301A011-3/86-0	770-011T101W1
301A011-3-0	770-011T101
301A011-4/180-0	770-011T301W2
301A011-4/42-0	770-011T301W2
301A011-4/86-0	770-011T301W1
301A011-4-0	770-011T301
301A022-100/180-0	770-011T202W2
301A022-100/86-0	770-011T202W1
301A022-100-0	770-011T202
301A022-12-0	770-011T402
301A022-25/225-0	770-011T102R
301A022-25/86-0	770-011T102W1
301A022-25-0	770-011T102
301A022-3/180-0	770-011T102W2
301A022-3/42-0	770-011T102W2
301A022-3/86-0	770-011T102W1
301A022-3-0	770-011T102
301A022-4/180-0	770-011T302W2
301A022-4/42-0	770-011T302W2
301A022-4/86-0	770-011T302W1
301A022-4-0	770-011T302
301A034-100/180-0	770-011T103W2
301A034-100/86-0	770-011T103W1
301A034-100-0	770-011T103
301A034-12-0	770-011T404
301A034-25/225-0	770-011T103R
301A034-25/86-0	770-011T103W1
301A034-25-0	770-011T103
301A034-3/180-0	770-011T103W2
301A034-3/42-0	770-011T103W2

Tyco Part Number	Glenair Part Number
301A034-3/86-0	770-011T103W1
301A034-3-0	770-011T103
301A034-4/180-0	770-011T303W2
301A034-4/42-0	770-011T303W2
301A034-4/86-0	770-011T303W1
301A034-4-0	770-011T303
301A048-100/180-0	770-011T204W2
301A048-100/86-0	770-011T204W1
301A048-100-0	770-011T204
301A048-12-0	770-011T404
301A048-25/225-0	770-011T104R
301A048-25/86-0	770-011T104W1
301A048-25-0	770-011T104
301A048-3/180-0	770-011T104W2
301A048-3/42-0	770-011T104W2
301A048-3/86-0	770-011T104W1
301A048-3-0	770-011T104
301A048-4/180-0	770-011T304W2
301A048-4/42-0	770-011T304W2
301A048-4/86-0	770-011T304W1
301A048-4-0	770-011T304
301A511-50-0	770-012T501
301A511-51/164-0	770-012T601W3
301A511-51-0	770-012T601
301A511-71/42-0	770-012T701W2
301A511-71/86-0	770-012T701W1
301A511-71-0	770-012T701
301A512-50-0	770-012T502
301A512-51/164-0	770-012T602W3
301A512-51-0	770-012T602
301A512-71/42-0	770-012T702W2
301A512-71/86-0	770-012T702W1
301A512-71-0	770-012T702
301A513-50-0	770-012T503
301A513-51/164-0	770-012T603W3
301A513-51-0	770-012T603
301A513-71/42-0	770-012T703W2
301A513-71/86-0	770-012T703W1
301A513-71-0	770-012T703
301A514-50-0	770-012T504
301A514-51/164-0	770-012T604W3
301A514-51-0	770-012T604
301A514-71/42-0	770-012T704W2
301A514-71/86-0	770-012T704W1
301A514-71-0	770-012T704
381A012-100/180-0	770-010Y205W2
381A301-50-0	770-009Y505



## Series 77 Shrink Boots

### Tyco to Glenair Part Number Cross Reference

Tyco Part Number	Glenair Part Number
381A301-51/164-0	770-009Y605W3
381A301-51/180-0	770-009Y605W2
381A301-51-0	770-009Y605
381A301-71/180-0	770-009Y705W2
381A301-71/42-0	770-009Y705W2
381A301-71/86-0	770-009Y705W1
381A301-71-0	770-009Y705
381A302-50-0	770-009Y506
381A302-51/164-0	770-009Y606W3
381A302-51/180-0	770-009Y606W2
381A302-51-0	770-009Y606
381A302-71/180-0	770-009Y706W2
381A302-71/42-0	770-009Y706W2
381A302-71/86-0	770-009Y706W1
381A302-71-0	770-009Y706
381A303-50-0	770-009Y507
381A303-51/164-0	770-009Y607W3
381A303-51/180-0	770-009Y607W2
381A303-51-0	770-009Y607
381A303-71/180-0	770-009Y707W2
381A303-71/42-0	770-009Y707W2
381A303-71/86-0	770-009Y707W1
381A303-71-0	770-009Y707
381A304-50-0	770-009Y508
381A304-51/164	770-009Y608W3
381A304-51/180	770-009Y608W2
381A304-51-0	770-009Y608
381A304-71/180-0	770-009Y708W2
381A304-71/42-0	770-009Y708W2
381A304-71/86-0	770-009Y708W1
381A304-71-0	770-009Y708
382A012-100-0	770-010Y205
382A012-12-0	770-010Y405
382A012-25/42-0	770-010Y105W2
382A012-25/86-0	770-010Y105W1
382A012-25-0	770-010Y105
382A012-3/42-0	770-010Y105W2
382A012-3/86-0	770-010Y105W1
382A012-3/87-0	n/a
382A012-3-0	770-010Y105
382A012-4/180-0	770-010Y305W2
382A012-4/42	770-010Y305W2
382A012-4/86	770-010Y305W1
382A012-4/87-0	n/a
382A012-4-0	770-010Y305
382A023-100/180-0	770-010Y206W2
382A023-100/86-0	770-010Y206W1

Tyco Part Number	Glenair Part Number
382A023-100-0	770-010Y206
382A023-12-0	770-010Y406
382A023-25/42-0	770-010Y106W2
382A023-25/86-0	770-010Y106W1
382A023-25-0	770-010Y106
382A023-3/42-0	770-010Y106W2
382A023-3/86-0	770-010Y106W1
382A023-3/87-0	n/a
382A023-3-0	770-010Y106
382A023-4/180-0	770-010Y306W2
382A023-4/42-0	770-010Y306W2
382A023-4/86-0	770-010Y306W1
382A023-4/87-0	n/a
382A023-4-0	770-010Y306
382A034-100/180-0	770-010Y207W2
382A034-100/86-0	770-010Y207W1
382A034-100-0	770-010Y207
382A034-12-0	770-010Y407
382A034-25/42-0	770-010Y107W2
382A034-25/86-0	770-010Y107W1
382A034-25-0	770-010Y107
382A034-3/42-0	770-010Y107W2
382A034-3/86-0	770-010Y107W1
382A034-3/87-0	n/a
382A034-3-0	770-010Y107
382A034-4/180-0	770-010Y307W2
382A034-4/42-0	770-010Y307W2
382A034-4/86-0	770-010Y307W1
382A034-4/87-0	n/a
382A034-4-0	770-010Y307
382A046-100/180	770-010Y208W2
382A046-100/86-0	770-010Y208W1
382A046-100-0	770-010Y208
382A046-12-0	770-010Y408
382A046-25/42-0	770-010Y108W2
382A046-25/86-0	770-010Y108W1
382A046-25-0	770-010Y108
382A046-3/42-0	770-010Y108W2
382A046-3/86-0	770-010Y108W1
382A046-3/87-0	n/a
382A046-3-0	770-010Y108
382A046-4/180-0	770-010Y308W2
382A046-4/42-0	770-010Y308W2
382A046-4/86-0	770-010Y308W1
382A046-4/87-0	n/a
382A046-4-0	770-010Y308
382C312-50-0	770-009Y516



## Series 77 Shrink Boots Tyco to Glenair Part Number Cross Reference



Tyco Part Number	Glenair Part Number
382C312-50-0	770-009Y516
382C312-51/164-0	770-009Y616W3
382C312-51-0	770-009Y616
382C312-51-0	770-009Y616
382C312-71/42-0	770-009Y716W2
382C312-71/86-0	770-009Y716W1
382C312-71-0	770-009Y716
382C312-71-0	770-009Y716
382C322-50-0	770-009Y526
382C322-51/164-0	770-009Y626W3
382C322-51-0	770-009Y626
382C322-71/42-0	770-009Y726W2
382C322-71/86-0	770-009Y726W1
382C322-71-0	770-009Y726
382C332-50-0	770-009Y536
382C332-51-0	770-009Y636
382C332-71-0	770-009Y736
38A012-100/86-0	770-010Y205W1
462A011-100/180-0	770-013209W2
462A011-100/86-0	770-013209W1
462A011-100-0	770-013209
462A011-12-0	770-013409
462A011-25/42-0	770-013109W2
462A011-25/86-0	770-013109W1
462A011-25-0	770-013109
462A011-3/42-0	770-013109W2
462A011-3/86-0	770-013109W1
462A011-3-0	770-013109
462A011-4/180-0	770-013309W2
462A011-4/42-0	770-013309W2
462A011-4/86-0	770-013309W1
462A011-4-0	770-013309
462A023-100/180-0	770-013210W2
462A023-100/86-0	770-013210W1
462A023-100-0	770-013210
462A023-12-0	770-013410
462A023-25/42-0	770-013110W2
462A023-25/86-0	770-013110W1
462A023-25-0	770-013110
462A023-3/42-0	770-013110W2
462A023-3/86-0	770-013110W1
462A023-3-0	770-013110
462A023-4/180-0	770-013310W2
462A023-4/42-0	770-013310W2
462A023-4/86-0	770-013310W1
462A023-4-0	770-013310
462A034-100/180-0	770-013211W2

Tyco Part Number	Glenair Part Number
462A034-100/86-0	770-013211W1
462A034-100-0	770-013211
462A034-12-0	770-013411
462A034-25/42-0	770-013111W2
462A034-25/86-0	770-013111W1
462A034-25-0	770-013111
462A034-3/42-0	770-01311W2
462A034-3/86-0	770-013111W1
462A034-3-0	770-013111
462A034-4/180-0	770-013311W2
462A034-4/42-0	770-013311W2
462A034-4/86-0	770-013311W1
462A034-4-0	770-013311
462A046-100/180-0	770-013212W2
462A046-100/86-0	770-013212W1
462A046-100-0	770-013212
462A046-12-0	770-013412
462A046-25/42-0	770-013112W2
462A046-25/86-0	770-013112W1
462A046-25-0	770-013112
462A046-3/42-0	770-01312W2
462A046-3/86-0	770-013112W1
462A046-3-0	770-013112
462A046-4/180-0	770-013312W2
462A046-4/42-0	770-013312W2
462A046-4/86-0	770-013312W1
462A046-4-0	770-013312
462A060-100/180-0	770-013213W2
462A060-100/86-0	770-013213W1
462A060-100-0	770-013213
462A060-12-0	770-013413
462A060-25/42-0	770-013113W2
462A060-25/86-0	770-013113W1
462A060-25-0	770-013113
462A060-3/42-0	770-01313W2
462A060-3/86-0	770-013113W1
462A060-3-0	770-013113
462A060-4/180-0	770-013313W2
462A060-4/42-0	770-013313W2
462A060-4/86-0	770-013313W1
462A060-4-0	770-013313
462A421-50-0	770-014509
462A421-51/164-0	770-014609W3
462A421-51-0	770-014609
462A421-71/42-0	770-014709W2
462A421-71/86-0	770-014709W1
462A421-71-0	770-014709



## Series 77 Shrink Boots

### Tyco to Glenair Part Number Cross Reference

Tyco Part Number	Glenair Part Number
462A422-50-0	770-014510
462A422-51/164-0	770-014610W3
462A422-51-0	770-014610
462A422-71/42-0	770-014710W2
462A422-71/86-0	770-014710W1
462A422-71-0	770-014710
462A423-50-0	770-014511
462A423-51/164-0	770-014611W3
462A423-51-0	770-014611
462A423-71/42-0	770-014711W2
462A423-71/86-0	770-014711W1
462A423-71-0	770-014711
562A011-100/180-0	770-015214W2
562A011-100/86-0	770-015214W1
562A011-100-0	770-015214
562A011-12-0	770-015414
562A011-25/42-0	770-015114W2
562A011-25/86-0	770-015114W1
562A011-25-0	770-015114
562A011-3/42-0	770-015114W2
562A011-3/86-0	770-015114W1
562A011-3-0	770-015114
562A011-4/42-0	770-015314W2
562A011-4/86-0	770-015314W1
562A011-4-0	770-015314
562A022-100/180-0	770-015215W2
562A022-100/86-0	770-015215W1
562A022-100-0	770-015215
562A022-12-0	770-015415
562A022-25/42-0	770-015115W2
562A022-25/86-0	770-015115W1
562A022-25-0	770-015115
562A022-3/42-0	770-015115W2
562A022-3/86-0	770-015115W1
562A022-3-0	770-015115
562A022-4/42-0	770-015315W2
562A022-4/86-0	770-015315W1
562A022-4-0	770-015315
562A032-100/180-0	770-015216W2
562A032-100/86-0	770-015216W1
562A032-100-0	770-015216
562A032-12-0	770-015416
562A032-25/42-0	770-015116W2
562A032-25/86-0	770-015116W1
562A032-25-0	770-015116
562A032-3/42-0	770-015116W2
562A032-3/86-0	770-015116W1

Tyco Part Number	Glenair Part Number
562A032-3-0	770-015116
562A032-4/42-0	770-015316W2
562A032-4/86-0	770-015316W1
562A032-4-0	770-015316
562A043-100/180-0	770-015217W2
562A043-100/86-0	770-015217W1
562A043-100-0	770-015217
562A043-12-0	770-015417
562A043-25/42-0	770-015117W2
562A043-25/86-0	770-015117W1
562A043-25-0	770-015117
562A043-3/42-0	770-015117W2
562A043-3/86-0	770-015117W1
562A043-3-0	770-015117
562A043-4/42-0	770-015317W2
562A043-4/86-0	770-015317W1
562A043-4-0	770-015317
562A054-100/180-0	770-015218W2
562A054-100/86-0	770-015218W1
562A054-100-0	770-015218
562A054-12-0	770-015418
562A054-25/42-0	770-015118W2
562A054-25/86-0	770-015118W1
562A054-25-0	770-015118
562A054-3/42-0	770-015118W2
562A054-3/86-0	770-015118W1
562A054-3-0	770-015118
562A054-4/42-0	770-015318W2
562A054-4/86-0	770-015318W1
562A054-4-0	770-015318
562A067-100/180-0	770-015219W2
562A067-100/86-0	770-015219W1
562A067-100-0	770-015219
562A067-12-0	770-015419
562A067-25/42-0	770-015119W2
562A067-25/86-0	770-015119W1
562A067-25-0	770-015119
562A067-3/42-0	770-015119W2
562A067-3/86-0	770-015119W1
562A067-3-0	770-015119
562A067-4/42-0	770-015319W2
562A067-4/86-0	770-015319W1
562A067-4-0	770-015319

## Series 77 Shrink Boots Hellermann to Glenair Part Number Cross Reference



Hellermann Part Number	Glenair Part Number
1009-1-B7	770-003S101
1009-1-B7-W24	770-003S101R
1009-1-B7-W8	770-003S101W1
1009-1-B7-WM250	770-003S101W2
1009-1-G	770-003S101
1009-1-G-W24	770-003S101R
1009-1-G-W8	770-003S101W1
1009-1-G-WM250	770-003S101W2
1009-1-H	770-003S201
1009-1-H-W17	770-003S201W1
1009-1-J	770-003S301
1009-1-J-W24	770-003S301W2
1009-1-J-W8	770-003S301W2
1009-1-J-WM250	770-003S301W2
101-1-B7	770-005S105
101-1-B7-W24	770-005S105R
101-1-B7-W8	770-005S105W1
101-1-B7-WM250	770-005S105W2
101-1-G	770-005S105
101-1-G-W24	770-005S105R
101-1-G-W8	770-005S105W1
101-1-G-WM250	770-005S105W2
101-1-H	770-005S205
101-1-H-W17	770-003S205W1
101-1-J	770-005S305
101-1-J-W24	770-003S305W2
101-1-J-W8	770-005S305W2
101-1-J-WM250	770-005S305W2
101-4-B7	770-003S105
101-4-B7-W24	770-003S105R
101-4-B7-W8	770-003S105W1
101-4-B7-WM250	770-003S105W2
101-4-G	770-003S105
101-4-G-W24	770-003S105R
101-4-G-W8	770-003S105W1
101-4-G-WM250	770-003S105W2
101-4-H	770-003S205
101-4-H	770-005S205
101-4-H-W17	770-005S205W1
101-4-J	770-003S305
101-4-J-W250	770-003S305W2
101-4-J-W8	770-003S305W2
102-1-B7	770-005S106
102-1-B7-W24	770-005S106R
102-1-B7-W8	770-005S106W1
102-1-B7-WM250	770-005S106W2
102-1-G	770-005S106

Hellermann Part Number	Glenair Part Number
102-1-G-W24	770-005S106R
102-1-G-W8	770-005S106W1
102-1-G-WM250	770-005S106W2
102-1-H	770-005S206
102-1-H-W17	770-005S206W1
102-1-J	770-005S306
102-1-J-W24	770-005S306W2
102-1-J-W8	770-005S306W2
102-1-J-WM250	770-005S306W2
102-4-B7	770-003S106
102-4-B7-W24	770-003S106R
102-4-B7-W8	770-003S106W1
102-4-B7-WM250	770-003S106W2
102-4-G	770-003S106
102-4-G-W24	770-003S106R
102-4-G-W8	770-003S106W1
102-4-G-WM250	770-003S106W2
102-4-H	770-003S206
102-4-H-W17	770-003S206W1
102-4-J	770-003S306
102-4-J-W24	770-003S306W2
102-4-J-W8	770-003S306W2
102-4-J-WM250	770-003S306W2
103-1-B7	770-005S107
103-1-B7-W24	770-005S107R
103-1-B7-W8	770-005S107W1
103-1-B7-WM250	770-005S107W2
103-1-G	770-005S107
103-1-G-W24	770-005S107R
103-1-G-W8	770-005S107W1
103-1-G-WM250	770-005S107W2
103-1-H	770-005S207
103-1-H-W17	770-005S207W1
103-1-J	770-005S307
103-1-J-W24	770-005S307W2
103-1-J-W8	770-005S307W2
103-1-J-WM250	770-005S307W2
103-4-B7	770-003S107
103-4-B7-W24	770-003S107R
103-4-B7-W8	770-003S107W1
103-4-B7-WM250	770-003S107W2
103-4-G	770-003S107
103-4-G-W24	770-003S107R
103-4-G-W8	770-003S107W1
103-4-G-WM250	770-003S107W2
103-4-H	770-003S207
103-4-H-W17	770-003S207W1



## Series 77 Shrink Boots

### Hellermann to Glenair Part Number Cross Reference

Hellermann Part Number	Glenair Part Number
103-4-J	770-003S307
103-4-J-W24	770-003S307W2
103-4-J-W8	770-003S307W2
103-4-J-WM250	770-003S307W2
104-1-B7	770-005S102
104-1-B7-W24	770-005S102R
104-1-B7-W8	770-005S102W1
104-1-B7-WM250	770-005S102W2
104-1-G	770-005S102
104-1-G-W24	770-005S102R
104-1-G-W8	770-005S102W1
104-1-G-WM250	770-005S102W2
104-1-H	770-005S202
104-1-H-W17	770-005S202W1
104-1-J	770-005S302
104-1-J-W24	770-005S302W2
104-1-J-W8	770-005S302W2
104-1-J-WM250	770-005S302W2
104-4-B7	770-003S102
104-4-B7-W24	770-003S102R
104-4-B7-W8	770-003S102W1
104-4-B7-WM250	770-003S102W2
104-4-G	770-003S102
104-4-G-W24	770-003S102R
104-4-G-W8	770-003S102W1
104-4-G-WM250	770-003S102W2
104-4-H	770-003S202
104-4-H-W17	770-003S202W1
104-4-J	770-003S302
104-4-J-W24	770-003S302W2
104-4-J-W8	770-003S302W2
104-4-J-WM250	770-003S302W2
105-1-B7	770-005S103
105-1-B7-W24	770-005S103R
105-1-B7-W8	770-005S103W1
105-1-B7-WM250	770-005S103W2
105-1-G	770-005S103
105-1-G-W24	770-005S103R
105-1-G-W8	770-005S103W1
105-1-G-WM250	770-005S103W2
105-1-H	770-005S203
105-1-H-W17	770-005S203W1
105-1-J	770-005S303
105-1-J-W24	770-005S303W2
105-1-J-WM250	770-005S303W2
105-1-W8	770-005S303W2
105-4-B7	770-003S103

Hellermann Part Number	Glenair Part Number
105-4-B7-W24	770-003S103R
105-4-B7-W8	770-003S103W1
105-4-B7-WM250	770-003S103W2
105-4-G	770-003S103
105-4-G-W24	770-003S103R
105-4-G-W8	770-003S103W1
105-4-G-WM250	770-003S103W2
105-4-H	770-003S203
105-4-H-W17	770-003S203W1
105-4-J	770-003S303
105-4-J-W24	770-003S303W2
105-4-J-W8	770-003S303W2
105-4-J-WM250	770-003S303W2
106-1-B7	770-005S104
106-1-B7-W24	770-005S104R
106-1-B7-W8	770-005S104W1
106-1-B7-WM250	770-005S104W2
106-1-G	770-005S104
106-1-G-W24	770-005S104R
106-1-G-W8	770-005S104W1
106-1-G-WM250	770-005S104W2
106-1-H	770-005S204
106-1-H-W17	770-005S204W1
106-1-J	770-005S304
106-1-J-W24	770-005S304W2
106-1-J-W8	770-005S304W2
106-1-J-WM250	770-005S304W2
106-4-B7	770-003S104
106-4-B7-W24	770-003S104R
106-4-B7-W8	770-003S104W1
106-4-B7-WM250	770-003S104W2
106-4-G	770-003S104
106-4-G-W24	770-003S104R
106-4-G-W8	770-003S104W1
106-4-G-WM250	770-003S104W2
106-4-H	770-003S204
106-4-H-W17	770-003S204W1
106-4-J	770-003S304
106-4-J-W24	770-003S304W2
106-4-J-W8	770-003S304W2
106-4-J-WM250	770-003S304W2
107-1-B7	770-005S108
107-1-B7-W24	770-005S108R
107-1-B7-W8	770-005S108W1
107-1-B7-WM250	770-005S108W2
107-1-G	770-005S108
107-1-G-W24	770-005S108R

## Series 77 Shrink Boots Hellermann to Glenair Part Number Cross Reference



Hellermann Part Number	Glenair Part Number
107-1-G-W8	770-005S108W1
107-1-G-WM250	770-005S108W2
107-1-H	770-005S208
107-1-H-W17	770-005S208W1
107-1-J	770-005S308
107-1-J-W24	770-005S308W2
107-1-J-W8	770-005S308W2
107-1-J-WM250	770-005S308W2
107-4-B7	770-003S108
107-4-B7-W24	770-003S108R
107-4-B7-W8	770-003S108W1
107-4-B7-WM250	770-003S108W2
107-4-G	770-003S108
107-4-G-W24	770-003S108R
107-4-G-W8	770-003S108W1
107-4-G-WM250	770-003S108W2
107-4-H	770-003S208
107-4-H-W17	770-003S208W1
107-4-J	770-003S308
107-4-J-W24	770-003S308W2
107-4-J-W8	770-003S308W2
107-4-J-WM250	770-003S308W2
1101-1-B7	770-005A107
1101-1-B7-W24	770-005A107R
1101-1-B7-W8	770-005A107W1
1101-1-B7-WM250	770-005A107W2
1101-1-G	770-005A107
1101-1-G-W24	770-005A107R
1101-1-G-W8	770-005A107W1
1101-1-G-WM250	770-005A107W2
1101-1-H	770-005A207
1101-1-H-W17	770-005A207W1
1101-1-J	770-005A307
1101-1-J-W24	770-005A307W2
1101-1-J-W8	770-005A307W2
1101-1-J-WM250	770-005A307W2
1101-4-B7	770-003A107
1101-4-B7-W24	770-003A107R
1101-4-B7-W8	770-003A107W1
1101-4-B7-WM250	770-003A107W2
1101-4-G	770-003A107
1101-4-G-W24	770-003A107R
1101-4-G-W8	770-003A107W1
1101-4-G-WM250	770-003A107W2
1101-4-H	770-003A207
1101-4-H-W17	770-003A207W1
1101-4-J	770-003A307

Hellermann Part Number	Glenair Part Number
1101-4-J-W24	770-003A307W2
1101-4-J-W8	770-003A307W2
1101-4-J-WM250	770-003A307W2
1103-1-B7	770-005A106
1103-1-B7-W24	770-005A106R
1103-1-B7-W8	770-005A106W1
1103-1-B7-WM250	770-005A106W2
1103-1-G	770-005A106
1103-1-G-W24	770-005A106R
1103-1-G-W8	770-005A106W1
1103-1-G-WM250	770-005A106W2
1103-1-H	770-005A206
1103-1-H-W17	770-005A206W1
1103-1-J	770-005A306
1103-1-J-W24	770-005A306W2
1103-1-J-W8	770-005A306W2
1103-1-J-WM250	770-005A306W2
1103-4-B7	770-003A106
1103-4-B7-W24	770-003A106R
1103-4-B7-W8	770-003A106W1
1103-4-B7-WM250	770-003A106W2
1103-4-G	770-003A106
1103-4-G-W24	770-003A106R
1103-4-G-W8	770-003A106W1
1103-4-G-WM250	770-003A106W2
1103-4-H	770-003A206
1103-4-H-W17	770-003A206W1
1103-4-J	770-003A306
1103-4-J-W24	770-003A306W2
1103-4-J-W8	770-003A306W2
1103-4-J-WM250	770-003A306W2
1104-1-B7	770-005A105
1104-1-B7-W24	770-005A105R
1104-1-B7-W8	770-005A105W1
1104-1-B7-WM250	770-005A105W2
1104-1-G	770-005A105
1104-1-G-W24	770-005A105R
1104-1-G-W8	770-005A105W1
1104-1-G-WM240	770-005A105W2
1104-1-H	770-005A205
1104-1-H-W17	770-005A205W1
1104-1-J	770-005A305
1104-1-J-W24	770-005A305W2
1104-1-J-W8	770-005A305W2
1104-1-J-WM250	770-005A305W2
1104-4-B7	770-003A105
1104-4-B7-W24	770-003A105R



## Series 77 Shrink Boots

### Hellermann to Glenair Part Number Cross Reference

Hellermann Part Number	Glenair Part Number
1104-4-B7-W8	770-003A105W1
1104-4-B7-WM250	770-003A105W2
1104-4-G	770-003A105
1104-4-G-W24	770-003A105R
1104-4-G-W8	770-003A105W1
1104-4-G-WM250	770-003A105W2
1104-4-H	770-003A205
1104-4-H-W17	770-003A205W1
1104-4-J	770-003A305
1104-4-J-W24	770-003A305W2
1104-4-J-W8	770-003A305W2
1104-4-J-WM250	770-003A305W2
1105-1-B7	770-005A108
1105-1-B7-W24	770-005A108R
1105-1-B7-W8	770-005A108W1
1105-1-B7-WM250	770-005A108W2
1105-1-G	770-005A108
1105-1-G-W24	770-005A108R
1105-1-G-W8	770-005A108W1
1105-1-G-WM250	770-005A108W2
1105-1-H	770-005A208
1105-1-H-W17	770-005A208W1
1105-1-J	770-005A308
1105-1-J-W24	770-005A308W2
1105-1-J-W8	770-005A308W2
1105-1-J-WM250	770-005A308W2
1105-4-B7	770-003A108
1105-4-B7-W24	770-003A108R
1105-4-B7-W8	770-003A108W1
1105-4-B7-WM250	770-003A108W2
1105-4-G	770-003A108
1105-4-G-W24	770-003A108R
1105-4-G-W8	770-003A108W1
1105-4-G-WM250	770-003A108W2
1105-4-H	770-003A208
1105-4-H-W17	770-003A208W1
1105-4-J	770-003A308
1105-4-J-W24	770-003A308W2
1105-4-J-W8	770-003A308W2
1105-4-J-WM250	770-003A308W2
1106-1-B7	770-005A103
1106-1-B7-W24	770-005A103R
1106-1-B7-W8	770-005A103W1
1106-1-B7-WM250	770-005A103W2
1106-1-G	770-005A103
1106-1-G-W24	770-005A103R
1106-1-G-W8	770-005A103W1

Hellermann Part Number	Glenair Part Number
1106-1-G-WM250	770-005A103W2
1106-1-H	770-005A203
1106-1-H-W17	770-005A203W1
1106-1-J	770-005A303
1106-1-J-W24	770-005A303W2
1106-1-J-W8	770-005A303W2
1106-1-J-WM250	770-005A303W2
1106-4-B7	770-003A103
1106-4-B7-W24	770-003A103R
1106-4-B7-W8	770-003A103W1
1106-4-B7-WM250	770-003A103W2
1106-4-G	770-003A103
1106-4-G-W24	770-003A103R
1106-4-G-W8	770-003A103W1
1106-4-G-WM250	770-003A103W2
1106-4-H	770-003A203
1106-4-H-W17	770-003A203W1
1106-4-J	770-003A303
1106-4-J-W24	770-003A303W2
1106-4-J-W8	770-003A303W2
1106-4-J-WM250	770-003A303W2
1107-1-B7	770-005A104
1107-1-B7-W24	770-005A104R
1107-1-B7-W8	770-005A104W1
1107-1-B7-WM250	770-005A104W2
1107-1-G	770-005A104
1107-1-G-W24	770-005A104R
1107-1-G-W8	770-005A104W1
1107-1-G-WM250	770-005A104W2
1107-1-H	770-005A204
1107-1-H-W17	770-005A204W1
1107-1-J	770-005A304
1107-1-J-W24	770-005S304W2
1107-1-J-W8	770-005A304W2
1107-1-J-WM250	770-005A304W2
1107-4-B7	770-003A104
1107-4-B7-W24	770-003A104R
1107-4-B7-W8	770-003A104W1
1107-4-B7-WM250	770-003A104W2
1107-4-G	770-003A104
1107-4-G-W24	770-003A104R
1107-4-G-W8	770-003A104W1
1107-4-G-WM250	770-003A104W2
1107-4-H	770-003A204
1107-4-H-W17	770-003A204W1
1107-4-J	770-003A304
1107-4-J-W24	770-003A304W2

## Series 77 Shrink Boots Hellermann to Glenair Part Number Cross Reference



Hellermann Part Number	Glenair Part Number
1107-4-J-W8	770-003A304W2
1107-4-J-WM250	770-003A304W2
1108-1-B7	770-005A102
1108-1-B7-W24	770-005A102R
1108-1-B7-W8	770-005A102W1
1108-1-B7-WM250	770-005A102W2
1108-1-G	770-005A102
1108-1-G-W24	770-005A102R
1108-1-G-W8	770-005A102W1
1108-1-G-WM250	770-005A102W2
1108-1-H	770-005A202
1108-1-H-W17	770-005A202W1
1108-1-J	770-005A302
1108-1-J-W24	770-005A302W2
1108-1-J-W8	770-005A302W2
1108-1-J-WM250	770-005A302W2
1108-4-B7	770-003A102
1108-4-B7-W24	770-003A102R
1108-4-B7-W8	770-003A102W1
1108-4-B7-WM250	770-003A102W2
1108-4-G	770-003A102
1108-4-G-W24	770-003A102R
1108-4-G-W8	770-003A102W1
1108-4-G-WM250	770-003A102W2
1108-4-H	770-003A202
1108-4-H-W17	770-003A202W1
1108-4-J	770-003A302
1108-4-J-W24	770-003A302W2
1108-4-J-W8	770-003A302W2
1108-4-J-WM250	770-003A302W2
1121-4-B7	770-006A102
1121-4-B7-W24	770-006A102R
1121-4-B7-W8	770-006A102W1
1121-4-B7-WM250	770-006A102W2
1121-4-G	770-006A102
1121-4-G-W24	770-006A102R
1121-4-G-W8	770-006A102W1
1121-4-G-WM250	770-006A102W2
1121-4-H	770-006A202
1121-4-H-W17	770-006A202W1
1121-4-J	770-006A302
1121-4-J-W24	770-006A302W2
1121-4-J-W8	770-006A302W2
1121-4-J-WM250	770-006A302W2
1122-4-B7	770-006A103
1122-4-B7-W24	770-006A103R
1122-4-B7-W8	770-006A103W1

Hellermann Part Number	Glenair Part Number
1122-4-B7-WM250	770-006A103W2
1122-4-G	770-006A103
1122-4-G-W24	770-006A103R
1122-4-G-W8	770-006A103W1
1122-4-G-WM250	770-006A103W2
1122-4-H	770-006A203
1122-4-H-W17	770-006A203W1
1122-4-J	770-006A303
1122-4-J-W24	770-006A303W2
1122-4-J-W8	770-006A303W2
1122-4-J-WM250	770-006A303W2
1123-4-B7	770-006A104
1123-4-B7-W24	770-006A104R
1123-4-B7-W8	770-006A104W1
1123-4-B7-WM250	770-006A104W2
1123-4-G	770-006A104
1123-4-G-W24	770-006A104R
1123-4-G-W8	770-006A104W1
1123-4-G-WM250	770-006A104W2
1123-4-H	770-006A204
1123-4-H-W17	770-006A204W1
1123-4-J	770-006A304
1123-4-J-W24	770-006A304W2
1123-4-J-W8	770-006A304W2
1123-4-J-WM250	770-006A304W2
1124-4-B7	770-006A105
1124-4-B7-W24	770-006A105R
1124-4-B7-W8	770-006A105W1
1124-4-B7-WM250	770-006A105W2
1124-4-G	770-006A105
1124-4-G-W24	770-006A105R
1124-4-G-W8	770-006A105W1
1124-4-G-WM250	770-006A105W2
1124-4-H	770-006A205
1124-4-H-W17	770-006A205W1
1124-4-J	770-006A305
1124-4-J-W24	770-006A305W2
1124-4-J-W8	770-006A305W2
1124-4-J-WM250	770-006A305W2
1125-4-B7	770-006A106
1125-4-B7-W24	770-006A106R
1125-4-B7-W8	770-006A106W1
1125-4-B7-WM250	770-006A106W2
1125-4-G	770-006A106
1125-4-G-W24	770-006A106R
1125-4-G-W8	770-006A106W1
1125-4-G-WM250	770-006A106W2



## Series 77 Shrink Boots

### Hellermann to Glenair Part Number Cross Reference

Hellermann Part Number	Glenair Part Number
1125-4-H	770-006A206
1125-4-H-W17	770-006A206W1
1125-4-J	770-006A306
1125-4-J-W24	770-006A306W2
1125-4-J-W8	770-006A306W2
1125-4-J-WM250	770-006A306W2
1126-4-B7	770-006A107
1126-4-B7-W24	770-006A107R
1126-4-B7-W8	770-006A107W1
1126-4-B7-WM250	770-006A107W2
1126-4-G	770-006A107
1126-4-G-W24	770-006A107R
1126-4-G-W8	770-006A107W1
1126-4-G-WM250	770-006A107W2
1126-4-H	770-006A207
1126-4-H-W17	770-006A207W1
1126-4-J	770-006A307
1126-4-J-W24	770-006A307W2
1126-4-J-W8	770-006A307W2
1126-4-J-WM250	770-006A307W2
1127-4-B7	770-006A108
1127-4-B7-W24	770-006A108R
1127-4-B7-W8	770-006A108W1
1127-4-B7-WM250	770-006A108W2
1127-4-G	770-006A108
1127-4-G-W24	770-006A108R
1127-4-G-W8	770-006A108W1
1127-4-G-WM250	770-006A108W2
1127-4-H	770-006A208
1127-4-H-W17	770-006A208W1
1127-4-J	770-006A308
1127-4-J-W24	770-006A308W2
1127-4-J-W8	770-006A308W2
1127-4-J-WM250	770-006A308W2
1133-1-B7	770-007A103
1133-1-B7-W24	770-007A103R
1133-1-B7-W8	770-007A103W1
1133-1-B7-WM250	770-007A103W2
1133-1-G	770-007A103
1133-1-G-W24	770-007A103R
1133-1-G-W8	770-007A103W1
1133-1-G-WM250	770-007A103W2
1133-1-H	770-007A203
1133-1-H-W17	770-007A203W1
1133-1-J	770-007A303
1133-1-J-W24	770-007A303W2
1133-1-J-W8	770-007A303W2

Hellermann Part Number	Glenair Part Number
1133-1-J-WM250	770-007A303W2
1134-1-B7	770-007A104
1134-1-B7-W24	770-007A104R
1134-1-B7-W8	770-007A104W1
1134-1-B7-WM250	770-007A104W2
1134-1-G	770-007A104
1134-1-G-W24	770-007A104R
1134-1-G-W8	770-007A104W1
1134-1-G-WM250	770-007A104W2
1134-1-H	770-007A204
1134-1-H-W17	770-007A204W1
1134-1-J	770-007A304
1134-1-J-W24	770-007A304W2
1134-1-J-W8	770-007A304W2
1134-1-J-WM250	770-007A304W2
113-4-B7	770-003S100
113-4-B7-W24	770-003S100R
113-4-B7-W8	770-003S100W1
113-4-B7-WM250	770-003S100W2
113-4-G	770-003S100
113-4-G-W24	770-003S100R
113-4-G-W8	770-003S100W1
113-4-G-WM250	770-003S100W2
113-4-H	770-003S200
113-4-H-W17	770-003S200W1
113-4-J	770-003S300
113-4-J-W24	770-003S300W2
113-4-J-W8	770-003S300W2
113-4-J-WM250	770-003S300W2
1135-1-B7	770-007A106
1135-1-B7-W24	770-007A106R
1135-1-B7-W8	770-007A106W1
1135-1-B7-WM250	770-007A106W2
1135-1-G	770-007A106
1135-1-G-W24	770-007A106R
1135-1-G-W8	770-007A106W1
1135-1-G-WM250	770-007A106W2
1135-1-H	770-007A206
1135-1-H-W17	770-007A206W1
1135-1-J	770-007A306
1135-1-J-W24	770-007A306W2
1135-1-J-W8	770-007A306W2
1135-1-J-WM250	770-007A306W2
1136-1-B7	770-007A107
1136-1-B7-W24	770-007A107R
1136-1-B7-W8	770-007A107W1
1136-1-B7-WM250	770-007A107W2



## Series 77 Shrink Boots Hellermann to Glenair Part Number Cross Reference



Hellermann Part Number	Glenair Part Number
1136-1-G	770-007A107
1136-1-G-W24	770-007A107R
1136-1-G-W8	770-007A107W1
1136-1-G-WM250	770-007A107W2
1136-1-H	770-007A207
1136-1-H-W17	770-007A207W1
1136-1-J	770-007A307
1136-1-J-W24	770-007A307W2
1136-1-J-W8	770-007A307W2
1136-1-J-WM250	770-007A307W2
1152-4-B7	770-001A103
1152-4-B7-W24	770-001A103R
1152-4-B7-W8	770-001A103W1
1152-4-B7-WM250	770-001A103W2
1152-4-G	770-001A103
1152-4-G-W24	770-001A103R
1152-4-G-W8	770-001A103W1
1152-4-G-WM250	770-001A103W2
1152-4-H	770-001A203
1152-4-H-W17	770-001A203W1
1152-4-J	770-001A303
1152-4-J-W24	770-001A303W2
1152-4-J-W8	770-001A303W2
1152-4-J-WM250	770-001A303W2
1154-4-B7	770-001A104
1154-4-B7-W24	770-001A104R
1154-4-B7-W8	770-001A104W1
1154-4-B7-WM250	770-001A104W2
1154-4-G	770-001A104
1154-4-G-W24	770-001A104R
1154-4-G-W8	770-001A104W1
1154-4-G-WM250	770-001A104W2
1154-4-H	770-001A204
1154-4-H-W17	770-001A204W1
1154-4-J	770-001A304
1154-4-J-W24	770-001A304W2
1154-4-J-W8	770-001A304W2
1154-4-J-WM250	770-001A304W2
1155-4-B7	770-001A105
1155-4-B7-W24	770-001A105R
1155-4-B7-W8	770-001A105W1
1155-4-B7-WM250	770-001A105W2
1155-4-G	770-001A105
1155-4-G-W24	770-001A105R
1155-4-G-W8	770-001A105W1
1155-4-G-WM250	770-001A105W2

Hellermann Part Number	Glenair Part Number
1155-4-H	770-001A205
1155-4-H-W17	770-001A205W1
1155-4-J	770-001A305
1155-4-J-W24	770-001A305W2
1155-4-J-W8	770-001A305W2
1155-4-J-WM250	770-001A305W2
1156-4-B7	770-001A106
1156-4-B7-W24	770-001A106R
1156-4-B7-W8	770-001A106W1
1156-4-B7-WM250	770-001A106W2
1156-4-G	770-001A106
1156-4-G-W24	770-001A106R
1156-4-G-W8	770-001A106W1
1156-4-G-WM250	770-001A106W2
1156-4-H	770-001A206
1156-4-H-W17	770-001A206W1
1156-4-J	770-001A306
1156-4-J-W24	770-001A306W2
1156-4-J-W8	770-001A306W2
1156-4-J-WM250	770-001A306W2
1157-4-B7	770-001A107
1157-4-B7-W24	770-001A107R
1157-4-B7-W8	770-001A107W1
1157-4-B7-WM250	770-001A107W2
1157-4-G	770-001A107
1157-4-G-W24	770-001A107R
1157-4-G-W8	770-001A107W1
1157-4-G-WM250	770-001A107W2
1157-4-H	770-001A207
1157-4-H-W17	770-001A207W1
1157-4-J	770-001A307
1157-4-J-W24	770-001A307W2
1157-4-J-W8	770-001A307W2
1157-4-J-WM250	770-001A307W2
1158-4-B7	770-001A108
1158-4-B7-W24	770-001A108R
1158-4-B7-W8	770-001A108W1
1158-4-B7-WM250	770-001A108W2
1158-4-G	770-001A108
1158-4-G-W24	770-001A108R
1158-4-G-W8	770-001A108W1
1158-4-G-WM250	770-001A108W2
1158-4-H	770-001A208
1158-4-H-W17	770-001A208W1
1158-4-J	770-001A308
1158-4-J-W24	770-001A308W2
1158-4-J-W8	770-001A308W2

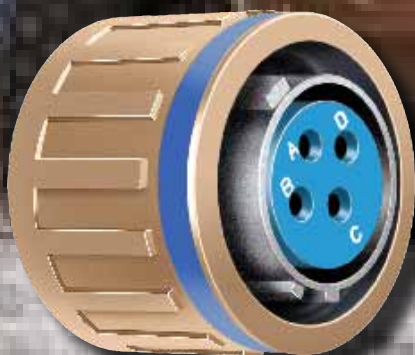
# Operation Semper Tan

## Glenair: The Only Interconnect System Supplier to Offer Our Military Customer a Complete “Desert Tan” Solution

Glenair now offers a complete range of interconnect component materials suitable for use in military applications that require (or would prefer) FED-STD-33446 Desert Tan colored and conductive parts over other available colors such as CAD green or black. Materials and components successfully developed by Glenair now include cable jacketing, shrink boots, composite connectors and accessories, junction boxes, fabric cable braid, convoluted tubing, and more. The materials are intended for use on military vehicles, equipment trailers, soldier systems and other ground-based or ground-deployed applications.

### OPERATION SEMPER TAN (DT) PRODUCTS

- ◆ Harsh Environment Cable Jacketing and Overmolding
- ◆ High-Temperature Heat Shrink Boots and Transitions
- ◆ Composite Thermoplastic Connectors and Accessories
- ◆ Rugged Fabric Cable Overbraid
- ◆ Annular Convoluted Tubing
- ◆ Corrosion-Proof Composite Junction Boxes
- ◆ Injection-Molded Cable Assemblies



**G**lenair®



SERIES 77

# FULL NELSON

BOOTS: IN STOCK AND READY FOR IMMEDIATE SHIPMENT



Lookin' for boots? We got 'em. Shrink boots, transitions, convoluted boots, plus all the adapters, adhesives, tools and know-how to provide a complete environmental/strain relief cable protection solution. The Glenair Series 77 Full Nelson shrink boot line—named in honor of that famous unbreakable wrestling hold practiced by professional *luchadores* the world over—offers the best availability in our industry: More designs and part numbers in stock and ready for immediate shipment than any other tag-team in the business.

**G**lenair®

GLENAIR, INC. • 1211 AirWay • Glendale, CA 91201-2497 • Tel: 818-247-6000 • Email: sales@glenair.com • www.glenair.com

# The world's broadest selection of interconnect products—in stock and ready for immediate same-day shipment

## Glenair's World of Interconnect Solutions

A complete overview of Glenair's innovative range of interconnect products and services, including Military Standard and commercial equivalent connectors and accessories.



Available now: **Glenair's Interconnect Product Guide CD, featuring our entire library of Glenair catalogs and data sheets.**



In addition to over a dozen product line catalogs, the CD includes a powerful part number development program that takes all the pain and confusion out of ordering interconnect components. An easy-to-use inventory search program provides ready access to 60,000 MIL-STD and commercial part numbers.

## High-Performance Micro-D Connectors and Cables

Glenair offers both Military Standard 83513 Micro-D connectors as well as COTS selections, backshells, mounting hardware and more. Our TwistPin contact provides superior performance.



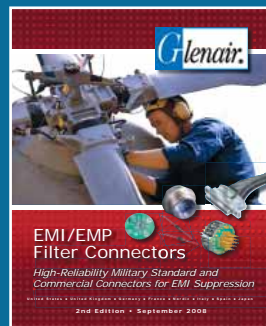
## Composite Thermoplastic Interconnect Solutions

Glenair is the world's leading manufacturer of composite interconnect solutions. We are the 'go-to' supplier for advanced composite technologies for commercial and military interconnect applications.



## EMI/EMP Filter Connectors

MIL-DTL-38999 type EMI/EMP filter connectors, as well as other Military Standard and commercial electromagnetic shielding technologies. Also includes Glenair Series 80 "Mighty Mouse" filter products.



## Military Standard Connector Accessories

If the MS connector accessory you need isn't in here – it doesn't exist. Search this easy-to-use catalog by accessory type or Mil-Spec slash number, then place your order against Glenair's 60,000 part number same-day inventory.



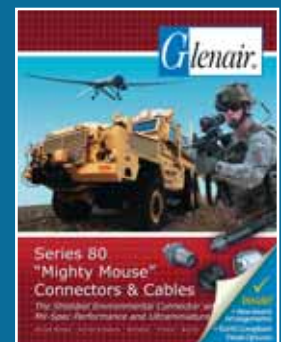
## Fiber Optic Interconnect Solutions

Tactical fiber optic connectors, cables, and termini for airframe, shipboard, and military ground vehicles. Catalog features Glenair's innovative high-density (GHD) connector system for reduced size and weight applications.



## Series 80 "Mighty Mouse" Connectors and Cables

Glenair's revolutionary connector series that reduces interconnect system size and weight by 50% compared to MIL-DTL-38999 connectors. Now used on hundreds of mission-critical military and commercial applications.



Visit us at [www.glenair.com](http://www.glenair.com) and use the literature order form for immediate catalog fulfillment



# A World of Interconnect Solutions

## Glenair, Inc.

1211 Air Way • Glendale, California • 91201-2497  
Telephone: 818-247-6000 • Fax: 818-500-9912 • sales@glenair.com  
[www.glenair.com](http://www.glenair.com)

---

**Glenair Power Products Group**  
860 N. Main Street Extension  
Wallingford, CT 06492

Telephone: 203-741-1115  
Facsimile: 203-741-0053  
sales@glenair.com

---

**Glenair UK Ltd**  
40 Lower Oakham Way  
Oakham Business Park  
P.O. Box 37, Mansfield  
Notts, NG18 5BY England

Telephone: +44-1623-638100  
Facsimile: +44-1623-638111  
sales@glenair.co.uk

---

**Glenair Microway Systems**  
7000 North Lawndale Avenue  
Lincolnwood, IL 60712

Telephone: 847-679-8833  
Facsimile: 847-679-8849

---

**Glenair Nordic AB**  
Gustav III : S Boulevard 46  
S - 169 27 Solna  
Sweden

Telephone: +46-8-50550000  
Facsimile: +46-8-50550001  
sales@glenair.se

---

**Glenair Electric GmbH**  
Siemensstrasse 9  
D-61449 Steinbach  
Germany

Telephone: +49-6171-5905-0  
Facsimile: +49-6171-5905-90  
germany@glenair.com

---

**Glenair Iberica**  
C/ La Vega, 16  
45612 Velada  
Spain

Telephone: +34-925-89-29-88  
Facsimile: +34-925-89-29-87  
sales@glenair.es

---

**Glenair Italia S.p.A.**  
Via Cà dell'Orbo Nord, 22  
40055 Villanova di Castenaso  
Bologna, Italy

Telephone: +39-051-780098  
Facsimile: +39-051-782259  
info@glenair.it

---

**Glenair France SARL**  
7, Avenue Parmentier  
Immeuble Central Parc #2  
31200 Toulouse  
France

Telephone: +33-5-34-40-97-40  
Facsimile: +33-5-61-47-86-10  
sales@glenair.fr



## X-ON Electronics

Largest Supplier of Electrical and Electronic Components

*Click to view similar products for [Heat Shrink Cable Boots & End Caps](#) category:*

*Click to view products by [Glenair](#) manufacturer:*

Other Similar products are found below :

[577159N001](#) [618803-000](#) [645494-000](#) [CX4132-000](#) [687025-000](#) [D33548-000](#) [F27131-000](#) [F85868-000](#) [770-005S105](#) [770-010Y106W1](#)  
[770-013210W1](#) [770-013311](#) [770-013312](#) [770-018S202W1](#) [770-018S205W1](#) [806542N001](#) [808059-000](#) [808362-000](#) [809125-000](#) [809218-000](#)  
[812014-000](#) [812047-000](#) [813767N002](#) [814741-000](#) [819117N001](#) [823026-000](#) [841189N001](#) [861471-000](#) [950764-000](#) [957073-000](#) [982033-2](#)  
[A77813-000](#) [D96192-000](#) [EN3BOOTLKIT](#) [1954015-1](#) [200W531-3-0](#) [202A163-4-0-CS5067](#) [202A343-3-00-0](#) [202B221-13-0](#)  
[202B563-25-07-0](#) [202D121-4-01/86-0](#) [202D211-3-22/42-0](#) [202D221-4-0-CS8970](#) [202D221-4-22/180-0](#) [202D263-25-08-0](#) [202E334-51-0-](#)  
[CS5324](#) [202E336-71-0](#) [202F211-50-22-0-CS8474](#) [202F242-51-04/164-0](#) [202K132-25-01/225-0CS8387](#)