



SERIES 77 Heat Shrink Transitions



770-023 1:2 Parallel, Heat Shrink Transition How to Order



1:2 parallel heat shrink transitions provide an easy to install and rugged cable routing solution. Transitional boots are available in eight material options with five adhesive choices. All adhesive lined and unlined shrink books are RoHS compliant. Transitional boots are water-tight when equipped with factory installed or user-installed adhesive. Choose boot size based on cable diameter.

| How to Order | | | | | |
|---------------------------|--|------------|-------------|----------|--------------|
| Sample Part Number | | 770 | -023 | 1 | 01 W1 |
| Product Series | 770 = Series 77 shrink boot | | | | |
| Basic Number | 023 = Basic number | | | | |
| Material | See material and adhesives table | | | | |
| Boot Size | 01; Based on cable diameter | | | | |
| Adhesive Lined | W1, W2, W3, R, U, Omit for no adhesive; see material and adhesives table for compatibility | | | | |

| Material and Adhesive Compatibility | | | | | | | |
|-------------------------------------|--|---|---------------------------|-------------------------------|----------------------------------|--|--|
| Material Code | Material Description (Compound No.) | Hot Melt Adhesives | | | High Performance Epoxy Adhesives | | |
| | | W1 | W2 | W3 (TACCOM approved) | R | U | |
| | | High Temperature -55°C to 125°C | Standard -55°C to 70°C | Elastomeric -55°C to 125°C | Pre-Coat -75°C to 150°C | Two-Part -75°C to 155°C | |
| 1 | High-Performance Semi-Rigid Elastomer (2025) | ● | ● | | ● | Type U epoxy adhesive is compatible with all boot materials. Ordered separately, user-installed (779-001). Order boot with no adhesive lining. | |
| 2 | Zero Halogen Semi-Rigid Polyolefin (2010) | ● | ● | | ● | | |
| 3 | General Purpose Flexible Polyolefin (2040) | | ● | | | | |
| 5 | Viton Fluoroelastomer Blend (2050) | ● | | ● | ● | | |
| 6 | High Performance Elastomer Alloy (2051) | ● | | ● | | | |
| 7 | Semi-Rigid Polyolefin (2071) | ● | ● | | | | |
| 8 | Low Outgassing Fluoropolymer Alloy (2008) | Material Type 8 not available with pre-coat adhesive. Use Type U two-part epoxy | | | | | |
| 9 | Low Temp Flexible Polyolefin (2013) | | ● | | | | |

NOTES

- See **Modification Codes** listed in Section A for material color options available for **Type 1 (compound 2025)** material.

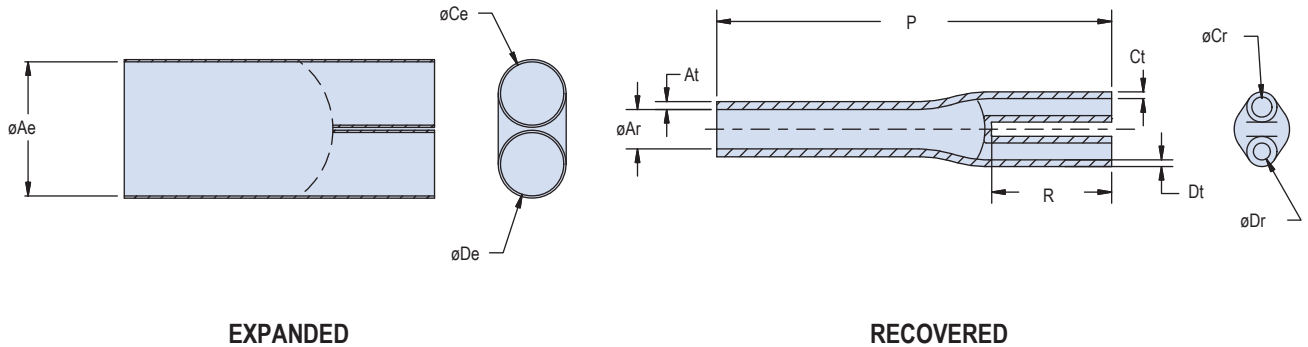


SERIES 77
Heat Shrink Transitions



770-023 1:2 Parallel, Heat Shrink Transition
Dimensions

1:2 Parallel Heat Shrink Transition: Dimensions

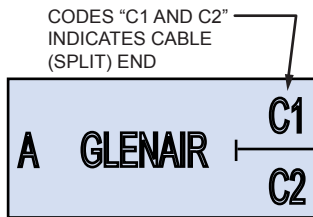


EXPANDED

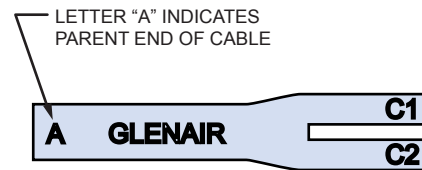
RECOVERED

| Dimensions | | | | | | | | | |
|------------|-------------------------|-------------|------------|---------------|----------------|----------------|-------------------|--------------|--------------|
| Size | Glenair US Part Marking | Ae Min Dia | Ar Max Dia | At $\pm 10\%$ | Ce, De Min Dia | Cr, Dr Max Dia | Ct, Dt $\pm 10\%$ | P $\pm 10\%$ | R $\pm 10\%$ |
| 01 | P01 | 1.00 (25.4) | .370 (9.4) | .070 (1.78) | .600 (15.2) | .161 (1.41) | .060 (1.52) | 3.500 (88.9) | 1.100 (28.0) |

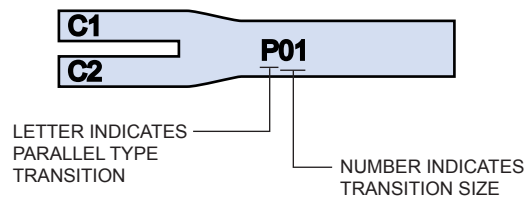
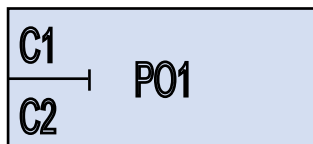
1:2 Parallel Heat Shrink Transition: Part Marking, Raised Lettering



EXPANDED



RECOVERED



X-ON Electronics

Largest Supplier of Electrical and Electronic Components

Click to view similar products for [Heat Shrink Cable Boots & End Caps](#) category:

Click to view products by [Glenair](#) manufacturer:

Other Similar products are found below :

[577159N001](#) [618803-000](#) [645494-000](#) [CX4132-000](#) [687025-000](#) [D33548-000](#) [F27131-000](#) [F85868-000](#) [770-005S105](#) [770-010Y106W1](#)
[770-013210W1](#) [770-013311](#) [770-013312](#) [770-018S202W1](#) [770-018S205W1](#) [806542N001](#) [808059-000](#) [808362-000](#) [809125-000](#) [809218-000](#)
[812014-000](#) [812047-000](#) [813767N002](#) [814741-000](#) [819117N001](#) [823026-000](#) [841189N001](#) [861471-000](#) [950764-000](#) [957073-000](#) [982033-2](#)
[A77813-000](#) [D96192-000](#) [EN3BOOTLKIT](#) [1954015-1](#) [200W531-3-0](#) [202A163-4-0-CS5067](#) [202A343-3-00-0](#) [202B221-13-0](#)
[202B563-25-07-0](#) [202D121-4-01/86-0](#) [202D211-3-22/42-0](#) [202D221-4-0-CS8970](#) [202D221-4-22/180-0](#) [202D263-25-08-0](#) [202E334-51-0-](#)
[CS5324](#) [202E336-71-0](#) [202F211-50-22-0-CS8474](#) [202F242-51-04/164-0](#) [202K132-25-01/225-0CS8387](#)