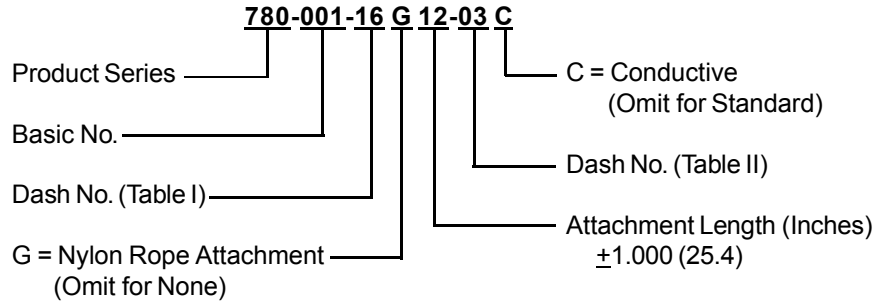


780-001 (Plug)
"Mr. Bean" Protective Rubber Covers
Universal Circular

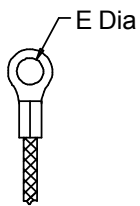
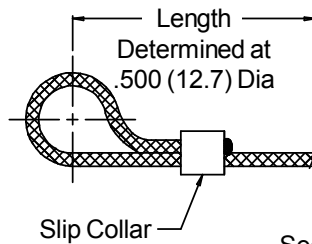


66 & 78

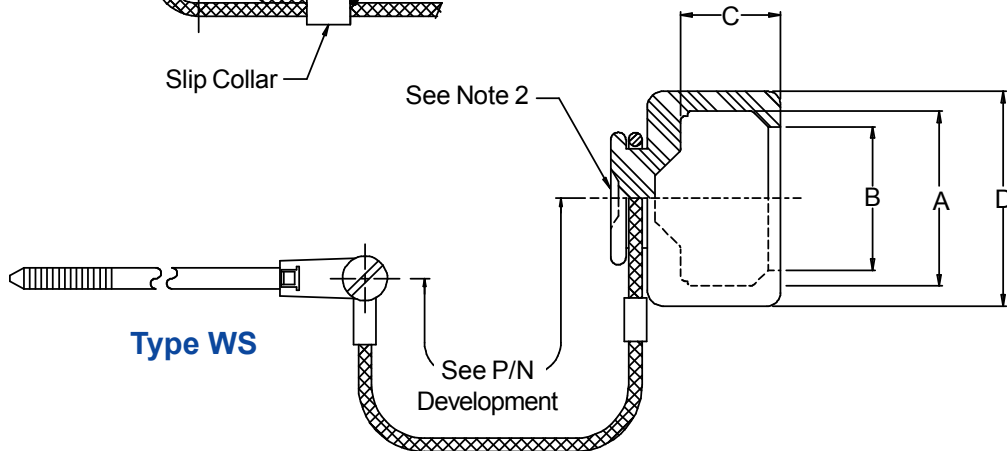
- MIL-C-38999**
Series I, II, III
- MIL-DTL-5015**
- MIL-C-26482**
SERIES I AND II
- MIL-DTL-83723**
SERIES III
- MIL-C-81511**
SERIES I, II, III AND IV
- MIL-C-28840**



Type SK



Type WS



NOTES:

1. Metric dimensions (mm) are indicated in parentheses.
2. This series of covers is similar to Bean Rubber BP Series, Same Dash No., ie: BP-16-WC equivalent to 780-001-16G12-09.
3. Standard material contains trace amounts of sulfur (a vulcanizing agent) which is known to contribute to degradation/corrosion of silver plated components such as braid, etc. Specify MOD Code suffix -675 for sulfur-free material.



"To Protect and to Serve"



780-001 (Plug) "Mr. Bean" Protective Rubber Covers Universal Circular

TABLE I: COVER DIMENSIONS

Dash No.	A Dia	B Dia	C Dim	D Dim
07	.440 (11.2)	.380 (9.7)	1.000 (25.4)	1.250 (31.8)
08	.780 (19.8)	.560 (14.2)	1.000 (25.4)	1.150 (29.2)
09	.850 (21.6)	.650 (16.5)	1.000 (25.4)	1.250 (31.8)
10	.890 (22.6)	.680 (17.3)	1.000 (25.4)	1.250 (31.8)
11	1.050 (26.7)	.830 (21.1)	1.000 (25.4)	1.560 (39.6)
12	1.060 (26.9)	.840 (21.3)	1.000 (25.4)	1.560 (39.6)
13	1.220 (31.0)	1.000 (25.4)	1.000 (25.4)	1.680 (42.7)
14	1.180 (30.0)	.960 (24.4)	1.000 (25.4)	1.680 (42.7)
15	1.350 (34.3)	1.130 (28.7)	1.000 (25.4)	1.810 (46.0)
16	1.310 (33.3)	1.090 (27.7)	1.000 (25.4)	1.810 (46.0)
17	1.480 (37.6)	1.260 (32.0)	1.000 (25.4)	2.040 (51.8)
18	1.420 (36.1)	1.170 (29.7)	1.000 (25.4)	2.040 (51.8)
19	1.580 (40.1)	1.360 (34.5)	1.250 (31.8)	2.180 (55.4)
20	1.560 (39.6)	1.340 (34.0)	1.250 (31.8)	2.180 (55.4)
21	1.710 (43.4)	1.490 (37.9)	1.250 (31.8)	2.310 (58.7)
22	1.680 (42.7)	1.440 (36.6)	1.250 (31.8)	2.310 (58.7)
23	1.830 (46.5)	1.610 (40.9)	1.250 (31.8)	2.430 (61.7)
24	1.800 (45.7)	1.590 (40.4)	1.250 (31.8)	2.430 (61.7)
25	1.960 (49.8)	1.740 (44.2)	1.250 (31.8)	2.680 (68.1)
26	1.900 (48.3)	1.730 (43.9)	1.250 (31.8)	2.680 (68.1)
27	2.160 (54.9)	1.750 (44.5)	1.250 (31.8)	2.680 (68.1)
28	2.060 (52.3)	1.840 (46.7)	1.250 (31.8)	2.680 (68.1)
32	2.310 (58.7)	2.130 (54.1)	1.250 (31.8)	2.680 (68.1)
36	2.560 (65.0)	2.320 (58.9)	1.250 (31.8)	3.180 (80.8)
38	2.760 (70.1)	2.500 (63.5)	1.250 (31.8)	3.200 (81.3)
40	2.810 (71.4)	2.580 (65.5)	1.250 (31.8)	3.480 (88.4)
44	3.060 (77.7)	2.840 (72.1)	1.560 (39.6)	3.580 (90.9)
48	3.310 (84.1)	3.090 (78.5)	1.560 (39.6)	3.870 (98.3)
50	3.000 (76.2)	2.870 (72.9)	1.560 (39.6)	3.570 (90.7)
52	3.750 (95.3)	3.460 (87.9)	1.300 (33.0)	4.270 (108.5)
-SADWG	.430 (10.9)	.360 (9.1)	.430 (10.9)	.750 (19.1)

TABLE II: ATTACHMENT

Dash No.	E Dia ±.010 (0.3)
00	No Terminal
01	.140 (3.6)
02	.182 (4.6)
03	.191 (4.9)
04	.197 (5.0)
05	.167 (4.2)
06	.125 (3.2)
07	.218 (5.5)
09	.156 (4.0)
WS	With Strap
SK	Slip Knot

Metric dimensions (mm)
are indicated in
parentheses.

TABLE III: CONNECTOR APPLICATION REFERENCE

Dash No.	MIL-C-26482		MIL-DTL-38999		MIL-DTL-38999		MIL-DTL-83723		MIL-DTL-83723		MIL-C-81511	
	MIL-DTL-5015	Series I & II	Series I	Series II	Series III	Series III	Bayonet	Threaded	Series I, II, III, IV	MIL-C-28840		
08		8		8			8	8				
09	8 & 8S									8		
10		10		10		9		10		10		
1	10S, 10 SL		9			11				10		A (11)
12	12, 12S	12	11	12				12		12		
13										14		B (13)
14	14, 14S	14		14		13		14		14		
15	18		13							16		C (15)
16	16, 16S	16		16		15		16		16		
17	20		15							18		D (17)
18		18		18		17		18		18		
19	22		17									E (19)
20		20		20		19		20		20		F (23)
21	24		19									
22		22		22		21		22		22		G (25)
23			21									
24		24		24		23		24		24		
25	28		23									
26						25				24		H (29)
27			25									J (33)
32	32											
36	36											
38	40											
48	48											
50	44											

X-ON Electronics

Largest Supplier of Electrical and Electronic Components

Click to view similar products for [Circular MIL Spec Tools, Hardware & Accessories](#) *category:*

Click to view products by [Glenair](#) *manufacturer:*

Other Similar products are found below :

[0113-201-2025](#) [600-079-06](#) [600-146-06](#) [M10-101983-183](#) [M10-454396-008](#) [602GB18808](#) [CS3102A-22-14PW](#) [M2887615-CD](#) [627-009](#)
[M38999/9-19B](#) [630A007NF083A](#) [630B007M051A](#) [630BJ003NF032H](#) [637-149NF04B](#) [M39029/29-215](#) [6408-203V-09273](#) [6426-201-11343](#)
[650FS002NF16](#) [660-008NF14S7-01](#) [660-009M22H8-03](#) [660-013NF19U6-210](#) [660-015M10S6-17](#) [660-015NF10S5-01](#) [660-015NF14R3.5-01](#)
[660-023NF19H6-19](#) [660-024NF11S12-01](#) [660-024NF11S3-01](#) [660-024NF17S4-109](#) [660-050XM17F4-01](#) [660-068NF25R6-30G](#) [660-](#)
[070M23S8-04](#) [660-073MTCH9-20](#) [M83723/61-18W](#) [M83723/61-218R](#) [M83723/61-224W](#) [667-084-23C](#) [667-084-35C](#) [667-224NF16](#) [687-](#)
[697NF-1](#) [M85049/94-10-A](#) [M85049/96-7-A](#) [M855282-10A01A](#) [M85528/2-10B](#) [M855282-18A01A](#) [M85528/2-22A01A](#) [M85528/2-22AA](#)
[710HS460NF2508](#) [780-001-22G12-SK](#) [780-002-19G12-SK](#) [780-002-20G12SK](#)