



790-027S
Crimp Terminated Panel Mount Plugs,
Socket Contacts
How To Order

790-027S Panel Mount Plugs

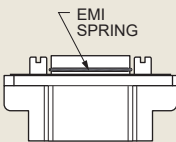
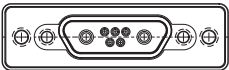
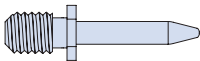
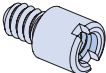
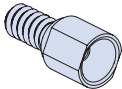
SOCKET CONTACTS WITH CRIMP TERMINATION



790-027S connectors are designed for rear-panel mounting and are supplied with conductive panel gaskets. These connectors feature machined aluminum shells and wire grommets for environmental protection. Contacts are rear-release snap-in crimp type. Connectors are supplied with crimp contacts packaged separately. Size #23 signal pins accept up to #22 AWG wire. Size #16 contacts accept #16-18 AWG wire. Size #12 contacts accept #12-14 AWG wire. Size 12 and 16 cavities also accept coaxial contacts purchased separately. Attach optional shielding adapters (799-016) for EMI protection.

HOW TO ORDER

Sample Part Number

| 790-027S | H-66 | M | E | P |
|---|--|---|--|---|
| Part Number | Shell Size - Insert Arr. | Shell Finish | EMI Spring | Hardware Option |
| 790-027S Rear Panel Mounted Plug with Socket Contacts | See Table 1 for Available Insert Arrangements To order a connector without size #16 or #12 power pins, substitute "W" instead of "P" in the insert arrangement. Example: 36P2 is supplied with 2 power pins. 36W2 is supplied less the power pins. See Section B for coaxial contacts purchased separately. | M Electroless Nickel <i>general purpose applications</i> MT Nickel-PTFE 1000 Hour Grey™ <i>maximum corrosion protection and durability (non-reflective grey)</i> ZNU Zinc-Nickel with Black Chromate <i>tactical applications (non-reflective black)</i> Additional shell finishes are listed on page C-9. | E EMI Spring N No Spring  Note: EMI Spring is not compatible with chromate finishes including cadmium and zinc-nickel |  N No Hardware  G Guide Pin  P Female Jackpost  S Female Guide Socket |

SPECIFICATIONS

| | |
|---------------------------------|---|
| Current Rating | #23 5 AMPS, #16 13 A., #12 23 A. |
| Dielectric Withstanding Voltage | #23 500 VAC RMS, #12 and #16 1800 VAC RMS |
| Insulation Resistance | 5000 megohms minimum |
| Operating Temperature | -65° C. to +150° C. |
| Shock | 300 g. |
| Vibration | 37 g. |

MATERIALS AND FINISHES

| | |
|-----------------|--|
| Shell | Aluminum alloy |
| Contacts | Copper alloy, 50 microinches gold plated, stainless steel hood |
| Insulators | Liquid crystal polymer (LCP) |
| Retention Clips | Beryllium copper alloy |
| Grommet | Fluorosilicone rubber |
| Hardware | 300 series stainless steel |
| Panel Gasket | Fluorosilicone, conductive |

Dimensions in Inches (millimeters) are subject to change without notice.

790-027S

Crimp Terminated Panel Mount Plugs, Socket Contacts

How To Order



Table 1 Contact Arrangements

| Layout | Contact Quantity | #23#16#12 | Face View |
|--------|------------------|-----------|-----------|
| A-5 | 5 | | |
| B-2P2 | 2 | | |
| B-9 | 9 | | |
| C-13 | 13 | | |
| D-15 | 15 | | |
| D-3P3 | 3 | | |
| D-7P2 | 5 | 2 | |
| E-11P2 | 9 | 2 | |
| E-19 | 19 | | |
| E-7P3 | 4 | 3 | |
| F-15P2 | 13 | 2 | |
| F-23 | 23 | | |
| F-5P5 | 5 | | |
| G-33 | 33 | | |
| H-10P4 | 6 | 4 | |
| H-29P7 | 22 | 7 | |
| H-36P2 | 34 | 2 | |
| H-54P2 | 52 | 2 | |
| H-5P5 | | 5 | |
| H-66 | 66 | | |
| J-17P4 | 13 | 4 | |
| J-25P2 | 23 | 2 | |
| J-33 | 33 | | |
| J-7P7 | | 7 | |
| K-27P4 | 23 | 4 | |
| K-35P2 | 33 | 2 | |
| K-43 | 43 | | |
| K-9P9 | | 9 | |
| L-6P6 | | 6 | |
| L-78 | 78 | | |
| M-102 | 102 | | |

CROSS-SECTIONAL VIEW OF 790-027S

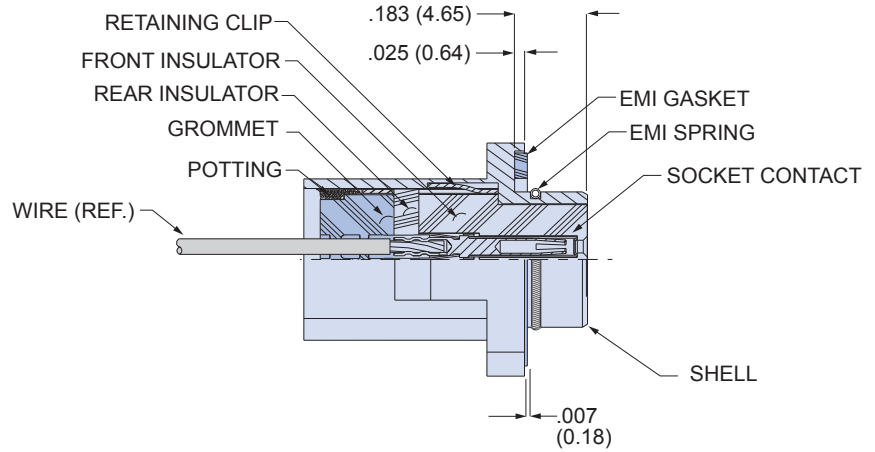


TABLE 2 HARDWARE OPTION

| | |
|--|--|
| N No Mating Hardware Connector is supplied with threaded holes. Shell size M has #8-32 threads, shell sizes H and L have #6-32 threads, other sizes have #4-40 threads. Thread depth is .150" (3.8). | P Jackposts Connector is supplied with non-removable stainless steel jackposts. Shell size M has #6-32 threads, shell sizes H and L have #4-40 UNC thread, other sizes have #2-56 thread. Stainless steel. |
| G Guide Pins Connector is supplied with stainless steel non-removable guide pins. Mates with type "S" guide sockets on corresponding receptacle connector. | S Guide Sockets Connector is supplied with stainless steel non-removable bushings. Mates with type "G" guide pins on corresponding receptacle connector. |

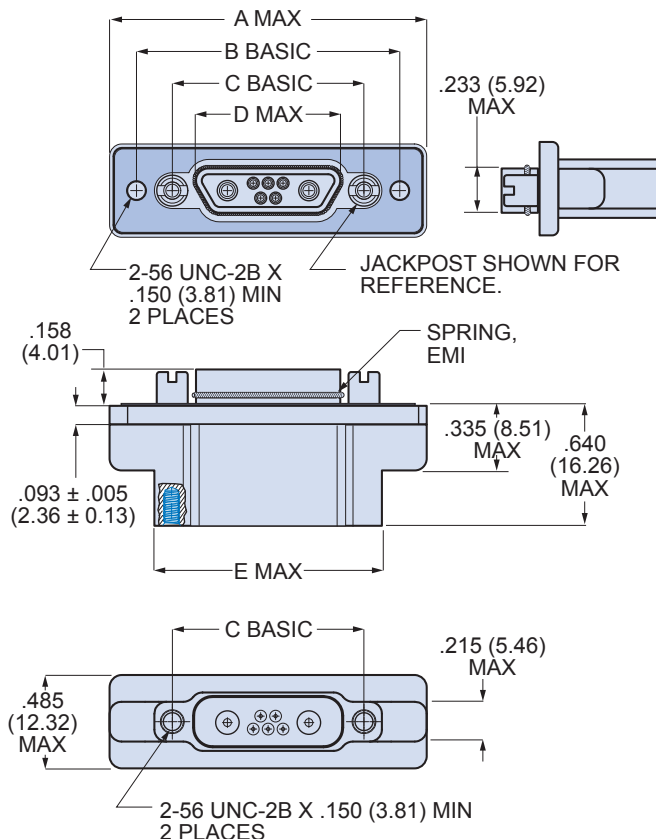
Dimensions in Inches (millimeters) are subject to change without notice.





790-027S
**Crimp Terminated Panel Mount Plugs,
Socket Contacts**
Dimensions

790-027S Shell Size A, B, C, D, E, F, J and K Dimensions



BLIND MATE

SHELL SIZES A, B, C, D, E, F, G, J, K
+/- .030 (0.76) ALLOWABLE
MISALIGNMENT FROM CENTERLINE

790-027S Shell Size A-F, J and K Dimensions

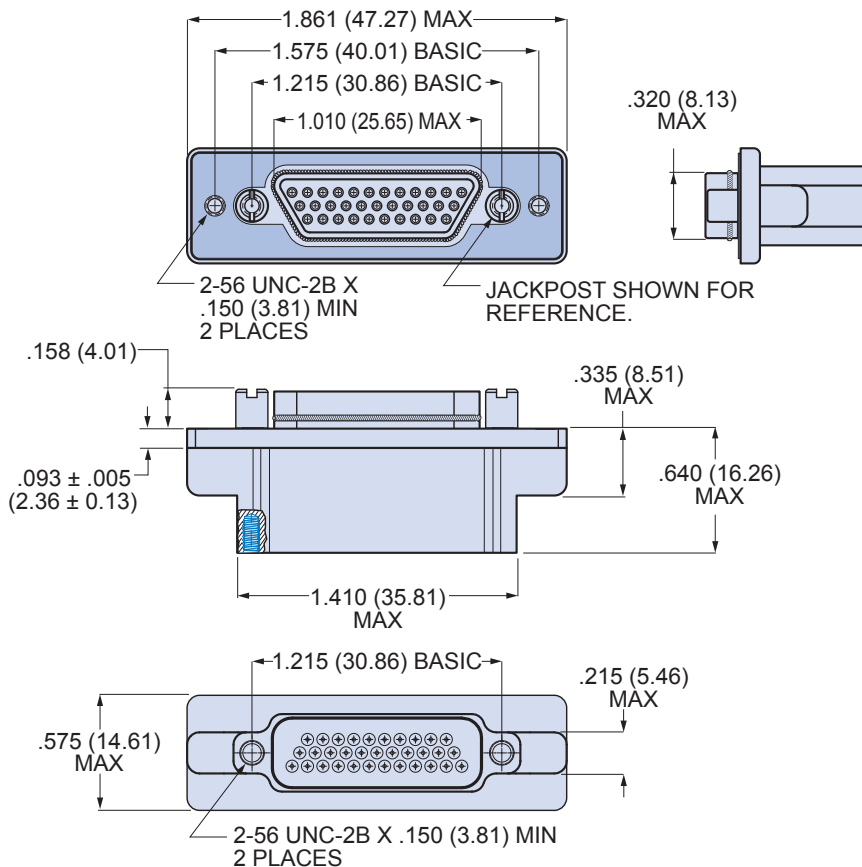
| 790-027S SIZE A-F, J, K DIMENSIONS | | | | | | | | | | |
|------------------------------------|--------|-------|---------|-------|---------|-------|--------|-------|--------|-------|
| Shell Size | A Max. | | B Basic | | C Basic | | D Max. | | E Max. | |
| | In. | mm. | In. | mm. | In. | mm. | In. | mm. | In. | mm. |
| A | 1.211 | 30.76 | .925 | 23.50 | .565 | 14.35 | .335 | 8.51 | .760 | 19.30 |
| B | 1.361 | 34.57 | 1.075 | 27.31 | .715 | 18.16 | .485 | 12.32 | .910 | 21.11 |
| C | 1.511 | 38.38 | 1.225 | 31.12 | .865 | 21.97 | .635 | 16.13 | 1.060 | 26.92 |
| D | 1.611 | 40.92 | 1.325 | 33.66 | .965 | 24.51 | .735 | 18.67 | 1.160 | 29.46 |
| E | 1.761 | 44.73 | 1.475 | 37.47 | 1.115 | 28.32 | .885 | 22.48 | 1.310 | 33.27 |
| F | 1.911 | 48.54 | 1.625 | 41.28 | 1.265 | 32.13 | 1.035 | 26.29 | 1.460 | 37.08 |
| J | 2.261 | 57.43 | 1.975 | 50.17 | 1.615 | 41.02 | 1.390 | 35.31 | 1.810 | 45.97 |
| K | 2.661 | 67.59 | 2.375 | 60.33 | 2.015 | 51.18 | 1.795 | 45.59 | 2.210 | 56.13 |

Dimensions in Inches (millimeters) are subject to change without notice.

790-027S
**Crimp Terminated Panel Mount Plugs,
 Socket Contacts**
Dimensions



790-027S Shell Size G Dimensions



BLIND MATE

SHELL SIZES A, B, C, D, E, F, G, J, K
 +/- .030 (0.76) ALLOWABLE
 MISALIGNMENT FROM CENTERLINE

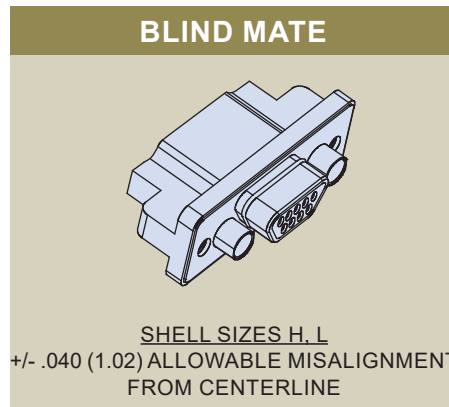
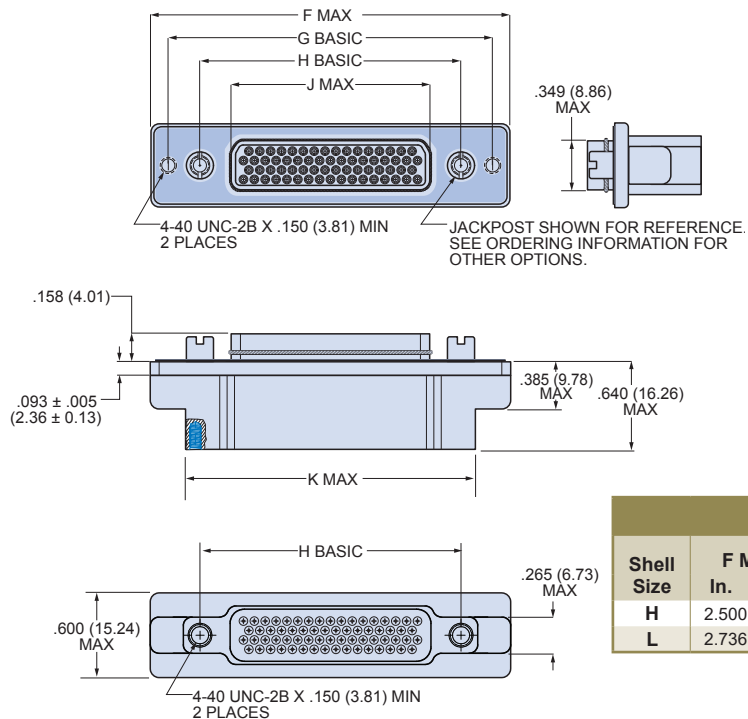


Dimensions in Inches (millimeters) are subject to change without notice.



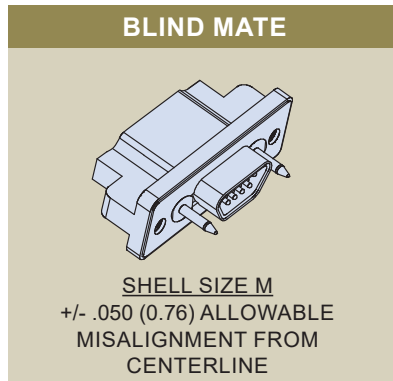
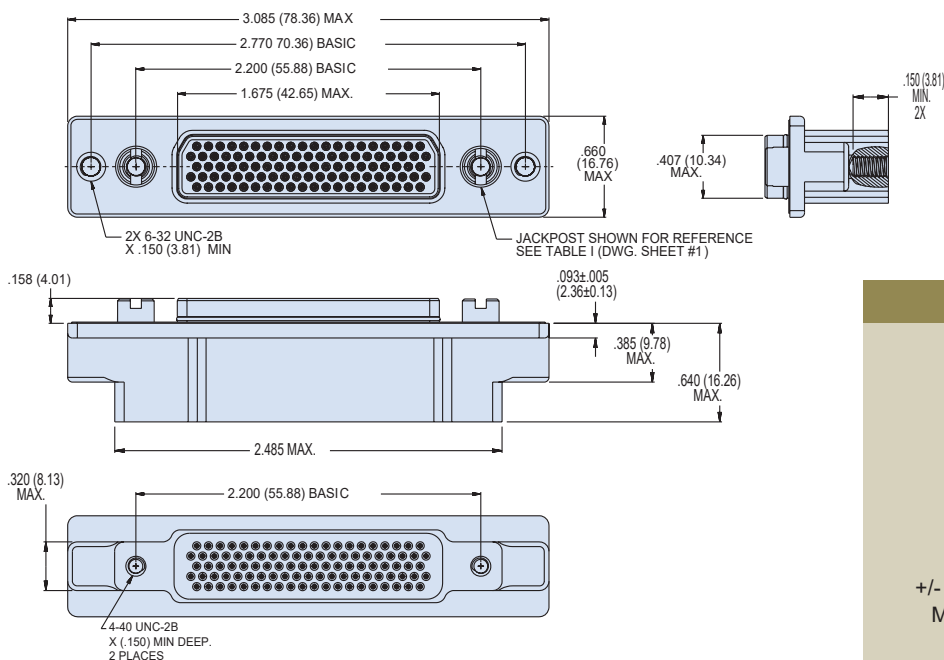
790-027S Crimp Terminated Panel Mount Plugs, Socket Contacts Dimensions

790-027S Shell Size H and L Dimensions



| 790-027S SIZE H & L DIMENSIONS | | | | | | | | | | |
|--------------------------------|--------|-------|---------|-------|---------|-------|--------|-------|--------|-------|
| Shell Size | F Max. | | G Basic | | H Basic | | J Max. | | K Max. | |
| | In. | mm. | In. | mm. | In. | mm. | In. | mm. | In. | mm. |
| H | 2.500 | 63.50 | 2.236 | 56.79 | 1.800 | 45.72 | 1.385 | 35.18 | 2.045 | 51.94 |
| L | 2.736 | 69.49 | 2.472 | 62.79 | 2.036 | 51.71 | 1.623 | 41.22 | 2.281 | 57.94 |

790-027S Shell Size M Dimensions



Dimensions in Inches (millimeters) are subject to change without notice.

X-ON Electronics

Largest Supplier of Electrical and Electronic Components

Click to view similar products for [D-Sub Standard Connectors](#) category:

Click to view products by [Glenair](#) manufacturer:

Other Similar products are found below :

[56F706-005-LI](#) [56F711-015](#) [012-9507-004](#) [LV242999-142T12](#) [015-0341-000](#) [015-0372-005](#) [015-0372-008](#) [015-8755-001](#) [020419-0104](#)
[012-0467-000](#) [012-9507-034](#) [012-9507-114](#) [020745-0008](#) [609-25P](#) [CT2-18-11PCAU](#) [CT6-10SL-3SC](#) [CT6-10SL-4SC](#) [CT6-14S-2SC](#)
[CT6E14SA7SC](#) [CT6N10SL-4SSA34](#) [M83513/01-FC](#) [M83723/76W24619 L/C](#) [M85049/48-3-2F](#) [6STD09PCM99B70X](#) [6STD09SCM99B30X](#)
[6STD09SCT99S40X](#) [6STD15PCT99S40X](#) [6STD15SCT99S40X](#) [6STF09PCM05B70X](#) [7-135760-9](#) [MC11E-10-6SN](#) [747552-3](#) [MD1-21PS](#)
[MDM-15SCBRM7-F222](#) [MDM96517-699](#) [MDM96521-744](#) [MDVB1-21SL1](#) [MIK0-1-7SH003](#) [MIKQ6-7SH076](#) [MIKQ7-7PH077](#) [MIKQ7-](#)
[7PH11](#) [MIKQ7-7PH32](#) [MJSV-28SL61](#) [MKJ4A1F14-55S](#) [8-135760-3](#) [8STD09PCM99B30X](#) [PG-KV/PV-16-GROM-SEALING](#) [GDA15P](#)
[GDAY15PB](#) [980-0000-170](#)