



790-041P
Right Angle PCB Terminated
Free-Standing Receptacle, Pin Contacts
How To Order

790-041P Right Angle Free-Standing Receptacles
PIN CONTACTS WITH RIGHT ANGLE PCB TERMINATION



Lightweight, rugged right angle headers feature gold-plated contacts for thru-hole printed circuit board termination. 790-041P connectors are free-standing (not for panel mounting) and mate to 790-025S cable plugs. Contacts are permanently installed and are sealed with epoxy. Shells are aluminum alloy. Threaded board mounting holes and integral standoffs simplify installation. EMI shroud improves EMI performance. Fluorosilicone face seal provides watertight interface. Available in 29 different contact arrangements, these connectors feature size #23 signal contacts along with #16 and #12 power contacts for up to 23 amps current rating.

HOW TO ORDER

| Sample Part Number | | | | |
|---|--|--|---|---|
| 790-041P | J-25P2 | M | P | A |
| Part Number | Shell Size - Insert Arrangements | Shell Finish | Hardware Option | PC Tail Length |
| <p>790-041P Header Receptacle with 90° PC Tail Pin Contacts for Termination to Backplanes or Flexible Circuits</p> | <p>See Table 1 for Available Insert Arrangements</p> | <p>M Electroless Nickel <i>general purpose applications</i></p> <p>MT Nickel-PTFE <i>1000 Hour Grey™</i> <i>maximum corrosion protection and durability</i> <i>(non-reflective grey)</i></p> <p>ZNU Zinc-Nickel with Black Chromate <i>tactical applications</i> <i>(non-reflective black)</i></p> <p>Additional shell finishes are listed on page C-9.</p> | <p>N No Hardware</p> <p>P Female Jackpost</p> | <p>A .125 Inch (3.2 mm.)</p> <p>B .250 inch (6.4 mm.)</p> |

SPECIFICATIONS

| | |
|---------------------------------|---|
| Current Rating | #23 5 AMPS, #16 13 A., #12 23 A. |
| Dielectric Withstanding Voltage | #23 500 VAC RMS, #12 and #16 1800 VAC RMS |
| Insulation Resistance | 5000 megohms minimum |
| Operating Temperature | -65° C. to +150° C. |
| Shock | 300 g. |
| Vibration | 37 g. |

MATERIALS AND FINISHES

| | |
|------------------|--|
| Shell | Aluminum alloy |
| Contacts | Copper alloy, 50 microinches gold plated |
| Insulator | Liquid crystal polymer (LCP) |
| EMI Shroud | Aluminum alloy |
| Interfacial Seal | Flourosilicone rubber |
| Jackposts | 300 series stainless steel |
| Tray | Thermoplastic |
| Encapsulant | Epoxy |

Dimensions in Inches (millimeters) are subject to change without notice.

790-041P
Right Angle PCB Terminated
Free-Standing Receptacle, Pin Contacts
How To Order



Series 79
90° PCB
Connectors

Table 1 Contact Arrangements

| Layout | Contact Quantity | | | Face View |
|--------|------------------|-----|-----|-----------|
| | #23 | #16 | #12 | |
| A-5 | 5 | | | |
| B-2P2 | | 2 | | |
| B-9 | 9 | | | |
| C-13 | 13 | | | |
| D-15 | 15 | | | |
| D-3P3 | | 3 | | |
| D-7P2 | 5 | 2 | | |
| E-11P2 | 9 | 2 | | |
| E-19 | 19 | | | |
| E-7P3 | 4 | 3 | | |
| F-15P2 | 13 | 2 | | |
| F-23 | 23 | | | |
| F-5P5 | | 5 | | |
| G-33 | 33 | | | |
| H-10P4 | 6 | | 4 | |
| H-29P7 | 22 | | 7 | |
| H-36P2 | 34 | | 2 | |
| H-54P2 | 52 | | 2 | |
| H-5P5 | | | 5 | |
| H-66 | 66 | | | |
| J-17P4 | 13 | | 4 | |
| J-25P2 | 23 | | 2 | |
| J-33 | 33 | | | |
| J-7P7 | | | 7 | |
| K-27P4 | 23 | | 4 | |
| K-35P2 | 33 | | 2 | |
| K-43 | 43 | | | |
| K-9P9 | | | 9 | |
| L-6P6 | | | 6 | |
| L-78 | 78 | | | |
| M-102 | 102 | | | |

CROSS-SECTIONAL VIEW OF 790-041P

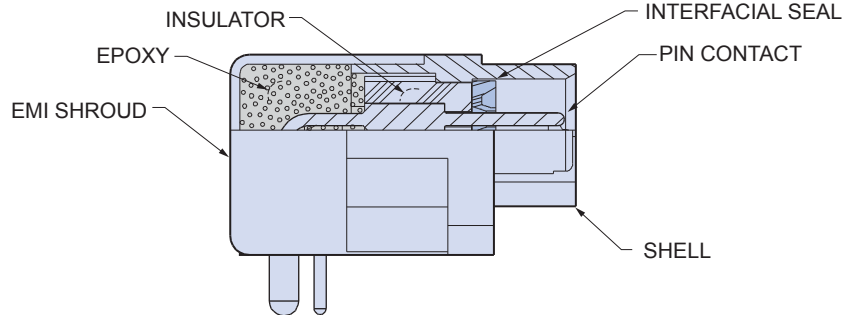
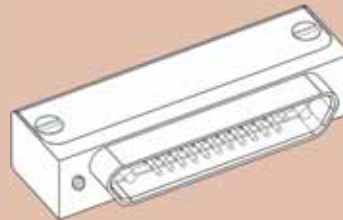


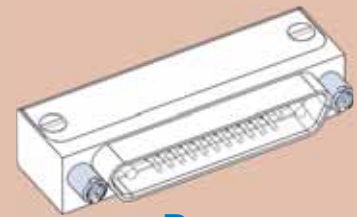
TABLE 2 HARDWARE OPTION



N

No Mating Hardware

Connector is supplied with threaded holes. Shell sizes H and L have #6-32 threads, other sizes have #4-40 threads. Thread depth is .150" (3.8).



P

Jackposts

Connector is supplied with non-removable stainless steel jackposts. Shell sizes H and L have #4-40 UNC thread, other sizes have #2-56 thread.

Dimensions in Inches (millimeters) are subject to change without notice.

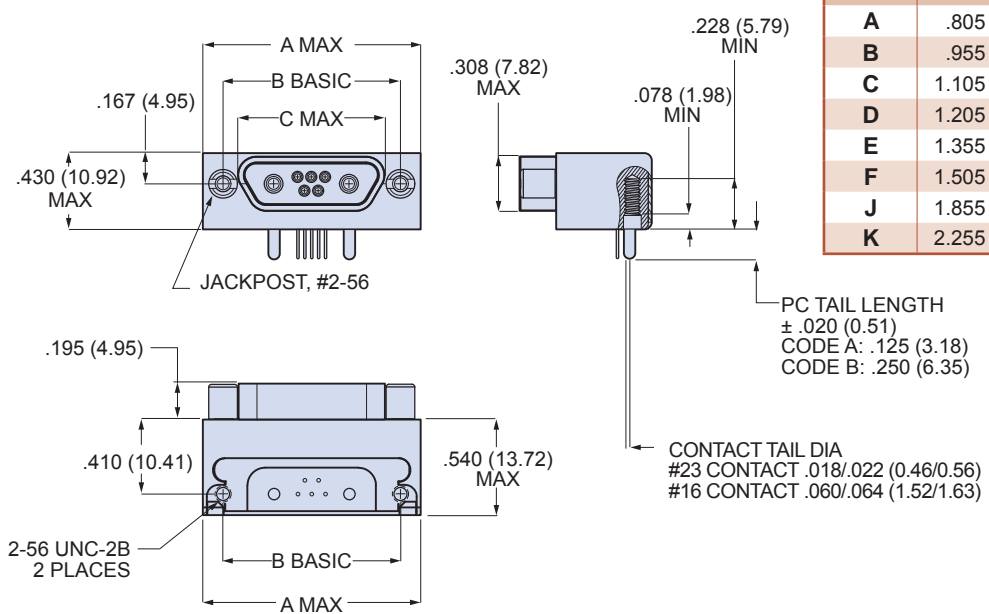




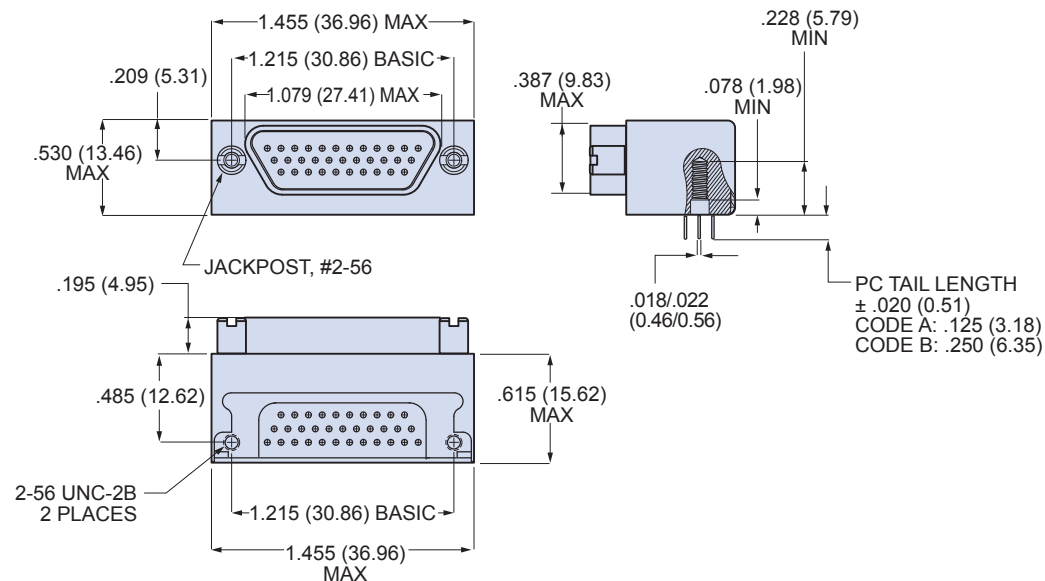
790-041P Right Angle PCB Terminated Free-Standing Receptacle, Pin Contacts Dimensions

790-041P Shell Sizes A-F, J and K Dimensions

| 790-041P SHELL SIZES A-F, J AND K | | | | | | |
|-----------------------------------|--------|-------|---------|-------|--------|-------|
| Shell Size | A Max. | | B Basic | | C Max. | |
| | In. | mm. | In. | mm. | In. | mm. |
| A | .805 | 20.45 | .565 | 14.35 | .401 | 10.19 |
| B | .955 | 24.26 | .715 | 18.16 | .551 | 14.00 |
| C | 1.105 | 28.07 | .865 | 21.97 | .701 | 17.81 |
| D | 1.205 | 30.61 | .965 | 24.51 | .801 | 20.35 |
| E | 1.355 | 34.42 | 1.115 | 28.32 | .951 | 24.16 |
| F | 1.505 | 38.23 | 1.265 | 32.13 | 1.101 | 27.96 |
| J | 1.855 | 47.12 | 1.615 | 41.02 | 1.460 | 37.08 |
| K | 2.255 | 57.28 | 2.015 | 51.18 | 1.860 | 47.24 |



790-041P Shell Size G Dimensions



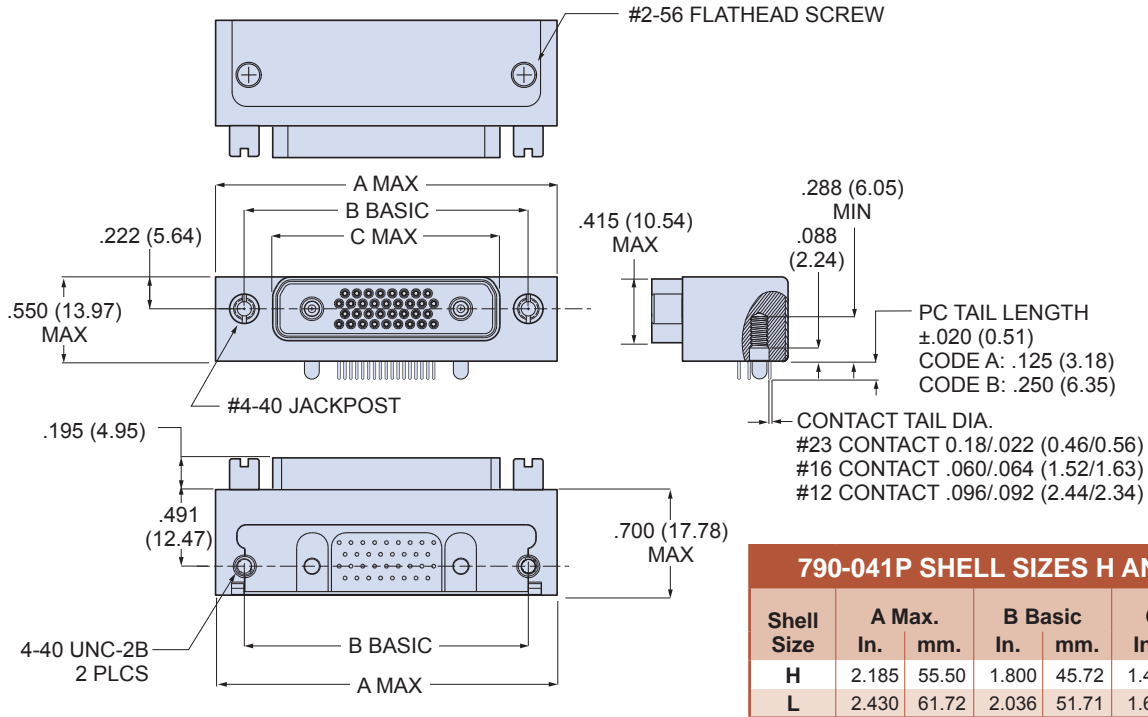
Dimensions in Inches (millimeters) are subject to change without notice.

790-041P
Right Angle PCB Terminated
Free-Standing Receptacle, Pin Contacts
Dimensions

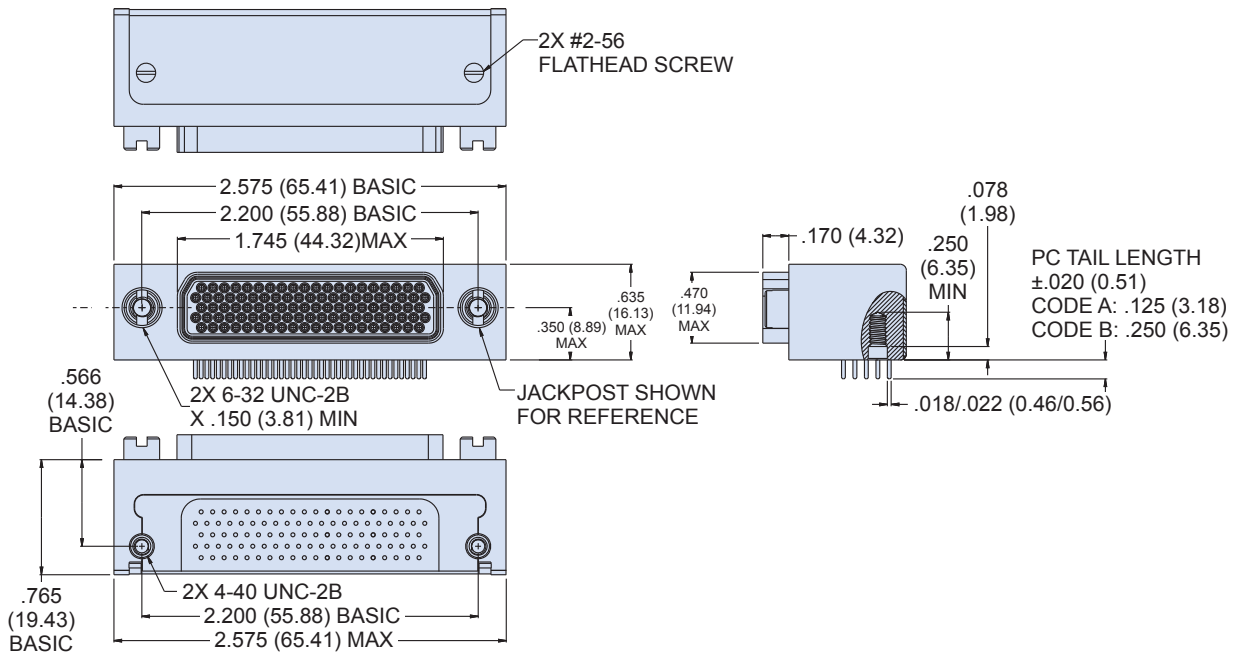


Series 79
 90° PCB
 Connectors

790-041P Shell Sizes H & L Dimensions



790-041P Shell Size M Dimensions



Dimensions in Inches (millimeters) are subject to change without notice.

X-ON Electronics

Largest Supplier of Electrical and Electronic Components

Click to view similar products for [D-Sub Micro-D Connectors](#) category:

Click to view products by [Glenair](#) manufacturer:

Other Similar products are found below :

[M243082311F](#) [M2430834F](#) [M24308/4-6F](#) [65-1920-15](#) [M83513/01-HN](#) [M83513/03-A10N](#) [M83513/03-B14C](#) [M83513/03-D09C](#) [M83513/03-D11N](#) [M83513/03-G02N](#) [M83513/03-G05N](#) [M83513/03-G08C](#) [M83513/03-G09N](#) [M83513/03-G12N](#) [M83513/03-H13N](#) [M83513/04-E15N](#) [M83513/04-G04C](#) [M83513/10-E01NP](#) [M83513/13-B01NP](#) [M83513/13-C01NN](#) [M83513/16-A01CP](#) [M83513/22-D01NP](#) [M83513/25-B01NP](#) [6R2004A30F015](#) [6R4006A28A120](#) [703006A13F060](#) [704002A03F200](#) [705001A13F120](#) [7-1532020-5](#) [748567-1-P](#) [MDB1-31SH003](#) [MDM-15PBS-L58](#) [MDM-15PCBRM7T](#) [MDM-15PH003B-A174](#) [75-068624-59S](#) [MDM-15PH034B](#) [MDM-15SH001L](#) [MDM-15SH004B](#) [MDM-21PH003K](#) [MDM-25PH003B-A174](#) [MDM-25PHW01F-A174](#) [MDM-37PH006L-A174](#) [MDM-37PH048M5-A174](#) [MDM-37SCBRP-A174](#) [MDM-51PBS-L56](#) [MDM-51PSF](#) [MDM-51SH003M7](#) [MDM-51SSM7-A174](#) [MDM-9PBSP-L58](#) [MDM-9PH003M7](#)